

STEEL Air sanitation module for ambient



Description

JONIX steel is a unit of sanitization, with a cold plasma technology for purifying and decontaminating the air. Ideal for environments for producing, packaging, preserving where it is necessary to constantly eliminate microbial contamination of air and surfaces. It can be easily installed on a wall or placed on a horizontal plane.

The device is designed to allow uniform propagation of the purified air thanks to the front ventilation system of intake and to the openings to the sides. They guarantee the optimal air outlet. Compact and silent, the JONIX steel unit eliminates quickly all kinds of bacteria and chemical contaminants.

JONIX steel is simple and essential.

Features

JONIX steel device:

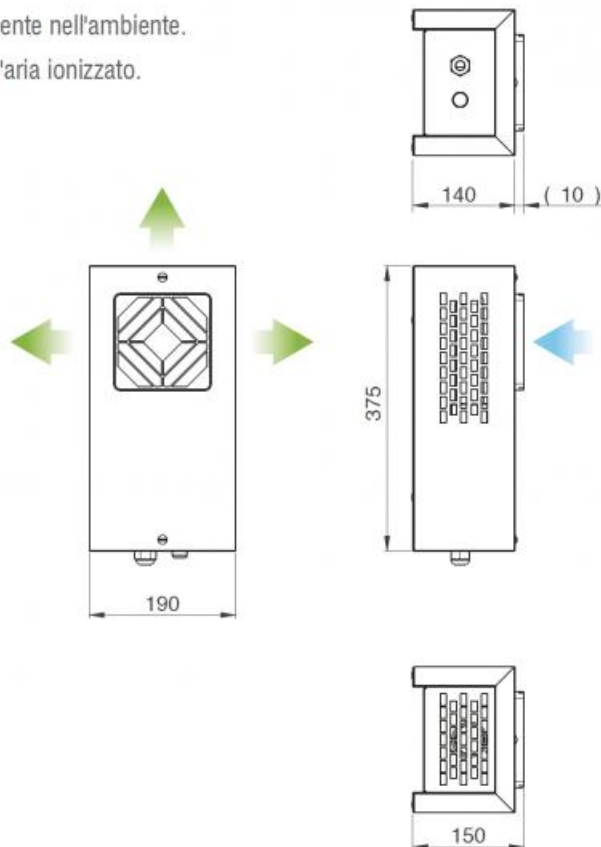
- eliminates constantly the bacterial load in a given ambient air and on the surfaces of indoor areas;
- constantly decomposes Volatile Organic Compounds (VOC);
- eliminates odours;
- compatible with environments that require ongoing monitoring of the contamination of air and surfaces.

Models

- JONIX steel 1C: suitable for ambient treatment up to 105 m³.
- JONIX steel 2C: suitable for ambient treatment up to 200 m³.
- JONIX steel 4C: suitable for ambient treatment up to 500 m³.
- JONIX steel 2F: suitable for ambient treatment up to 1000 m³.
- JONIX steel 4F: suitable for ambient treatment up to 2000 m³.

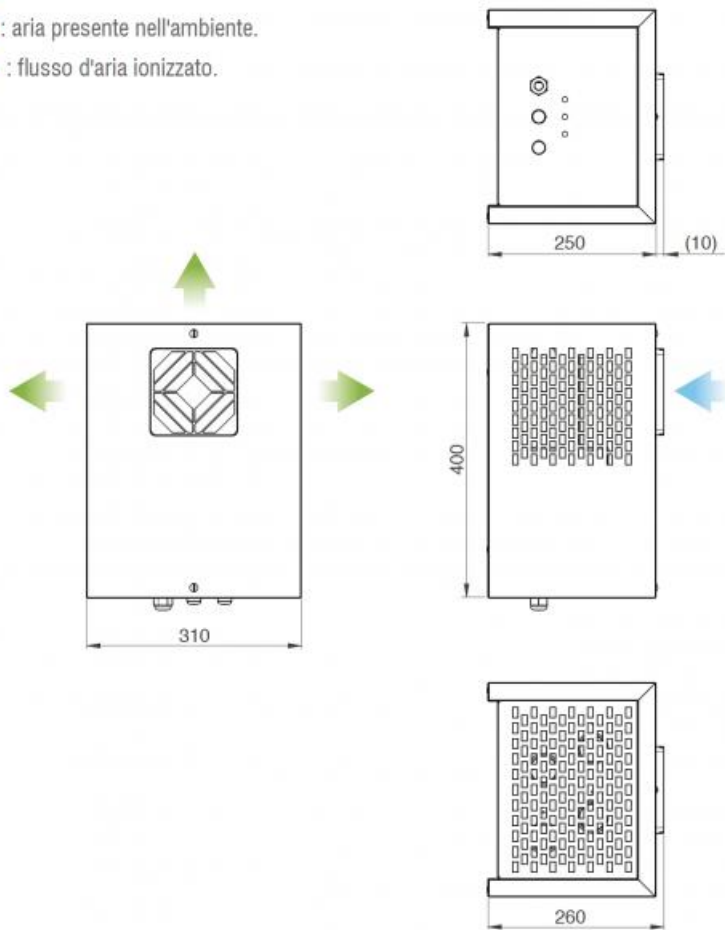
Dimension JONIX steel 1C:

- ➡ : aria presente nell'ambiente.
- ➡ : flusso d'aria ionizzata.





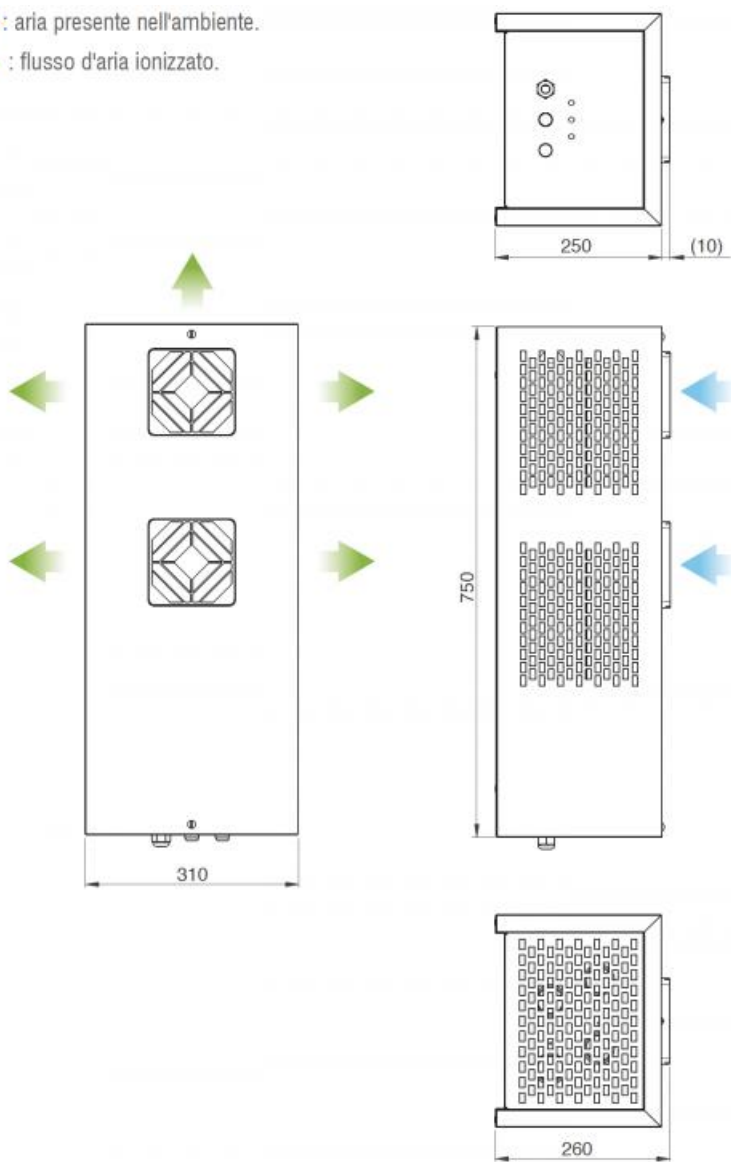
Dimension JONIX steel 2C - 4C:

→ : aria presente nell'ambiente.
→ : flusso d'aria ionizzata.



Dimension JONIX steel 2F - 4F:

 : aria presente nell'ambiente.
 : flusso d'aria ionizzato.



Technical features:

Model	JONIX steel 1C	JONIX steel 2C	JONIX steel 4C	JONIX steel 2F	JONIX steel 4F
Plasma generators	1 x type 175	2 x type 175	4 x type 175	2 x type 520	4 x type 520
Generators replacement	Every 14000 hours				
Generators maintenance	Every 1000 hours				
Filter	Anti-dust in AISI 304 stainless steel				
Fan	1x AC Axial fixed flow rate			2x AC Axial fixed flow rate	
Air flow (m ³ /h)	160	160	160	320	320
Direction of air flow	Front-to-side (through side openings)				
Dimensions (mm)	190 x 375 x 150	310 x 400 x 260	310 x 400 x 260	310 x 700 x 260	310 x 700 x 260
Weight (kg)	5	9	9	14	15
Power supply	230 V / ~1 / 50 Hz				
Max power absorption (W)	32,2	35	35	20	67
Full load ampere (A)	0,14	0,15	0,15	0,29	0,29
Suitable for rooms up to (m ³)	105	200	500	1000	2000

Price list:

Model	Description	Euro
JONIX steel 1C	Air sanitization device for ambient with volume up to 105 m ³ .	a.r. v
JONIX steel 2C	Air sanitization device for ambient with volume up to 200 m ³ .	a.r. v
JONIX steel 4C	Air sanitization device for ambient with volume up to 500 m ³ .	a.r. v
JONIX steel 2F	Air sanitization device for ambient with volume up to 1000 m ³ .	a.r. v
JONIX steel 4F	Air sanitization device for ambient with volume up to 2000 m ³ .	a.r. v

Accessories:

Model	Description	Euro
JONIX steel 1C - 2C - 4C	Spare condenser kit for JONIX steel 1C - 2C - 4C (pack of 2 capacitors).	a.r. v
JONIX steel 2F - 4F	Spare condenser kit for JONIX steel 2F - 4F (pack of 2 capacitors).	a.r. v