

# EDRFQB Fixed geometry diffusers

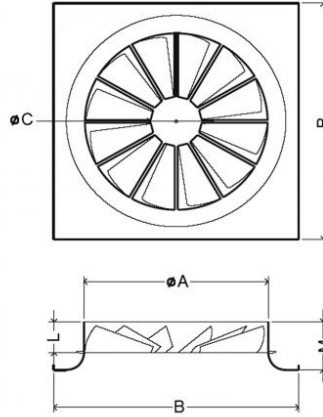


## Description

High induction swirl diffusers with fixed blades on square panel.

## Characteristics

Material: sheet steel.  
Finish: painted white RAL 9010.  
Installation: standard, side fixing holes on the diffuser neck.



## Use

Installation height between 2.5 and 4 m.

## Models

da tradurre

## Accessories

da tradurre

## Notes

Rounded output cone.

## Operating data

Vk: effective speed (m/s)  
m<sup>3</sup>/h: air flow  
Pa: pressure drop in Pascal  
L(m): air throw in meters calculated on ceiling installation, terminal velocity 0.25 m/s  
dB(A): noise level

model	sezione efficace m <sup>2</sup>	Vk	2	3	4	5	6	7	8	9	10
			m <sup>3</sup> /h	66	98	131	164	197	229	262	295
125		Pa (with equalizer)	28	60	103	158	224	300	387	485	592
		Pa (without equalizer)	7	16	27	41	58	78	101	126	154
		L(m)	0,3	0,5	0,6	0,8	0,9	1	1,2	1,3	1,5
160		m <sup>3</sup> /h	105	158	211	264	316	369	422	475	527
		Pa (with equalizer)	22	47	81	123	175	234	302	378	462
		Pa (without equalizer)	8	16	28	43	61	82	106	132	162
200		L(m)	0,4	0,7	0,9	1,1	1,3	1,6	1,8	2	2,2
		m <sup>3</sup> /h	162	243	324	405	486	567	648	728	809
		Pa (with equalizer)	17	37	64	98	139	187	241	301	368
250		Pa (without equalizer)	7	15	26	40	57	77	99	124	151
		L(m)	0,5	0,8	1,1	1,4	1,6	1,9	2,2	2,5	2,8
		m <sup>3</sup> /h	248	372	497	621	745	869	993	1117	1241
315		Pa (with equalizer)	14	30	51	78	111	148	191	240	293
		Pa (without equalizer)	7	15	26	40	56	76	98	122	149
		L(m)	0,6	1	1,3	1,6	1,9	2,3	2,6	2,9	3,2
indice di rumorosità		m <sup>3</sup> /h	386	579	773	966	1159	1352	1545	1738	1931
		Pa (with equalizer)	11	23	40	62	87	117	151	189	231
		Pa (without equalizer)	7	14	25	38	53	71	92	115	141
		L(m)	0,9	1,3	1,8	2,2	2,7	3,1	3,6	4	4,5

## Dimensions

Dimensions are expressed in mm

model	diameter A	side B	diameter C	L	M
125	122	225	28	55	82
160	157	250	50	55	82
200	197	300	50	55	82
250	247	350	65	55	85
315	312	415	87	55	85

## Price list

model	diffuser EDRF	EDRFQB on 595x595 panel	equalizer connection	plenum box	insulated plenum box	plenum damper
	euro	euro	euro	euro	euro	euro
125	47,05	110,29	46,99	75,44	96,03	a.r.
160	59,66	122,92	48,89	83,62	106,52	a.r.
200	77,96	141,18	63,47	92,69	118,24	a.r.
250	94,36	157,59	77,23	116,94	146,18	a.r.
315	116,90	180,08	88,99	135,19	168,32	a.r.