

EDQF3 Perforated face square diffusers



Description

Square diffusers for ceiling installation with perforated front plate.

Characteristics

Aluminium perimeter frame.
Galvanised steel panel.
Painted white RAL 9016.
The perforated mesh is made according to the following specifications:
-60° alternating round holes;
-empty/full ratio 46%;
-diameter of holes 5mm;
-distance between centres 7mm.

Use

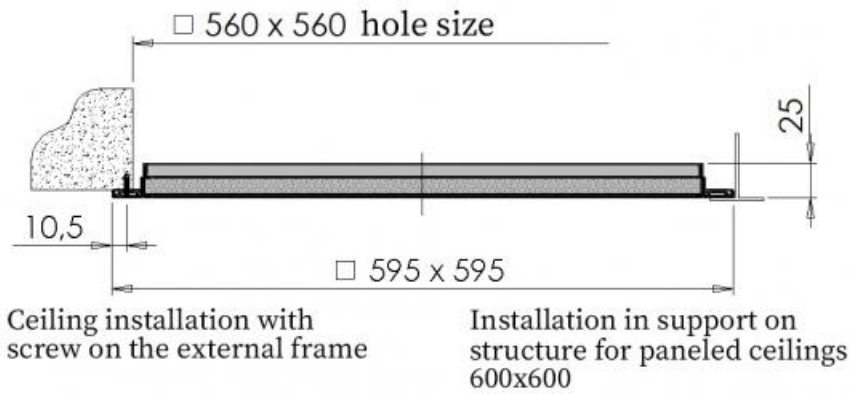
Suitable for both supply and exhaust air in air conditioning systems.

Accessories

- galvanised plenum;
- insulated plenum;
- SC regulation damper.

On request

- Painted in different RAL colours (prices on request);
- screw holes on the diffuser frame.



Operating data

Vk: effective speed (m/s)

m³/h: flow rate

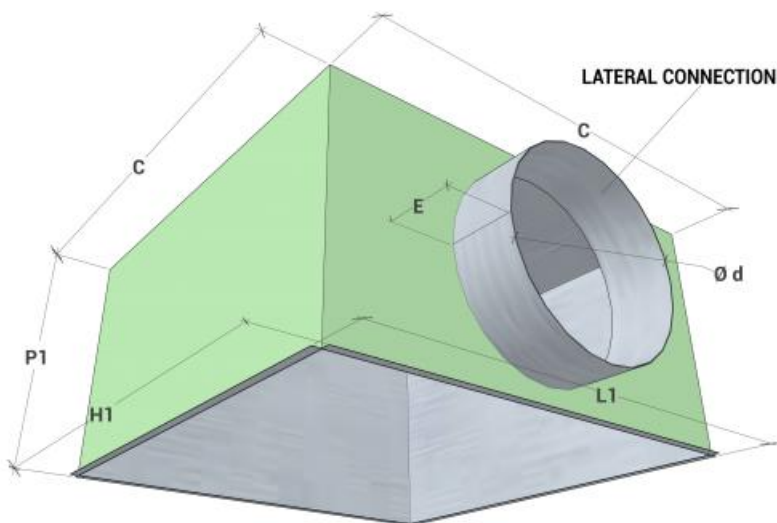
Pa: pressure drops in Pascal

L(m): air throw in metres calculated on ceiling installation, terminal velocity 0.25 m/s

dB(A): noise level

model	effective cross-section m ²	Vk	2,5	3	4	5	6
EDQF3 595x595	0,127	m ³ /h	1145	1370	1830	2285	2740
		L(m)	2,9	3,5	4,4	5,3	6,3
		Pa	10	15	20	35	50
		dB(A)	18	21	30	39	48

Plenum



Plenum with top connection on request.

Model	External dimensions L1 x H1	Ø d	P1	C	E
EDQF3	580x580	248	300	560	80

SC regulation damper

This accessory reduces the air flow from the diffuser, thus ensuring perfect regulation. The damper is attached to the diffuser using the clips supplied with the diffuser.



Price list

Item normally available from stock				
diffuser	euro	SC regulation damper	insulated plenum	Galvanised plenum
	euro	euro	euro	euro
EDQF3 595x595	126,82 ✓	76,00 ✓	123,09 ✓	91,11 ✓

Plenum with top connection on request.