

# EDE-FB Fixed geometry swirl diffusers

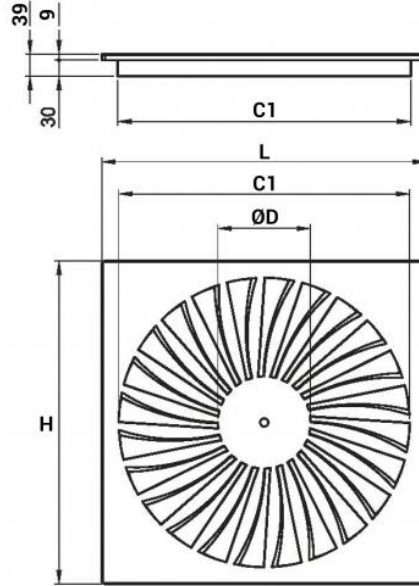


## Description

High induction swirl diffusers on 600x600 square panel with fixed curved deflectors.

## Characteristics

Material: steel.  
Finish: painted white RAL 9010.  
Installation: with lateral or central screws on plenum fixing bracket.



## Use

Diffuser suitable for installation heights between 2.6 and 4 m.

## Accessories

- EPZ-EDE-FB galvanised plenum with damper and fixing bracket;
- EPI-EDE-FB INSULATED galvanised plenum with damper and fixing bracket;
- Screw and cap.

## Dimensions

all dimensions are expressed in mm

model	L x H	ØD	C1
300 / 598	598x598	90	260
400 / 598	598x598	117	337
500 / 598	598x598	153	440
600 / 598	598x598	178	537

## Operating data

Vk: effective speed (m/s)

m<sup>3</sup>/h: flow rate

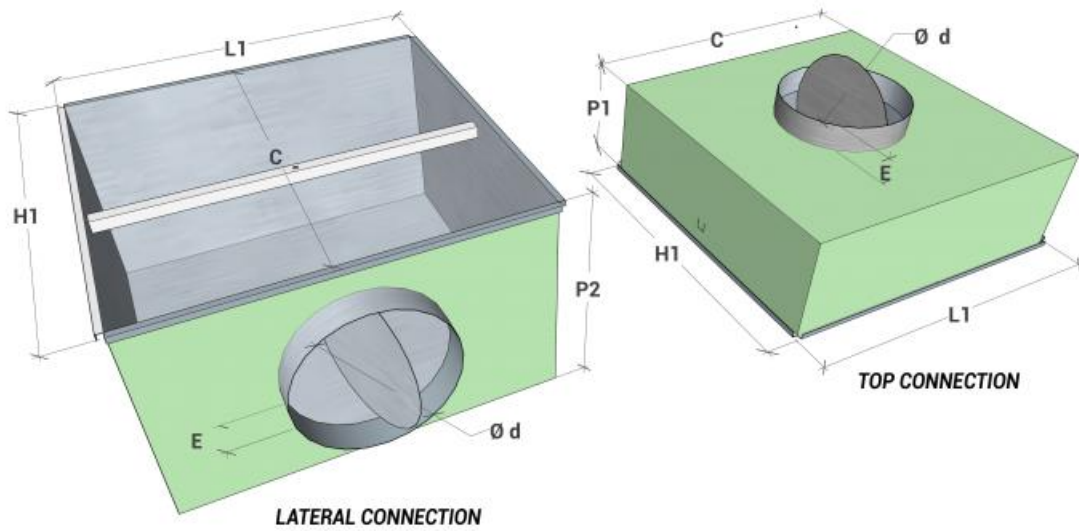
Pa: pressure drops in Pascal

L(m): air throw in metres calculated on ceiling installation, terminal velocity 0.25 m/s

dB(A): noise level

model	effective cross-section m <sup>2</sup>	Vk	2	3	4	5	6	7
			m <sup>3</sup> /h	74	110	147	184	220
300 / 598	0,0102	Pa	4	9	16	25	36	49
		L(m)	1,2	1,7	2,3	2,9	3,4	4,0
		dB(A)	<20	22	24	28	34	37
		m <sup>3</sup> /h	126	189	252	315	378	441
400 / 598	0,0175	Pa	4	9	16	26	37	51
		L(m)	1,5	2,3	3,0	3,8	4,5	5,3
		dB(A)	<20	<20	24	28	34	40
		m <sup>3</sup> /h	192	287	383	479	574	670
500 / 598	0,0266	Pa	4	9	17	26	38	52
		L(m)	1,9	2,8	3,7	4,6	5,6	6,5
		dB(A)	<20	22	30	42	44	47
		m <sup>3</sup> /h	269	404	538	673	808	942
600 / 598	0,0374	Pa	4	10	17	27	39	53
		L(m)	2,2	3,3	4,4	5,5	6,6	7,7
		dB(A)	<20	22	30	37	42	45
		m <sup>3</sup> /h	269	404	538	673	808	942

## Plenum dimension



All dimensions are expressed in mm

plenum model	Compatible air diffuser type	External dimensions L1 x H1	Ø d	P1	P2	C	E
300	EDE-FB 300 / 595	292x292	146	200	250	260	50
400	EDE-FB 400 / 595	392x392	198	200	300	360	50
500	EDE-FB 500 / 595	492x492	198	200	300	460	50
600	EDE-FB 300 / 598	592x592	248	200	350	560	50
	EDE-FB 400 / 598						
	EDE-FB 500 / 598						
	EDE-FB 600 / 598						

### Price list

Item normally available from stock				
model	300 / 598	400 / 598	500 / 598	600 / 598
	euro	euro	euro	euro
EDE-FB	87,73 ∨	89,17 ∨	91,21 ∨	92,99 ∨

### Price list for plenum with lateral connection

For plenum with top connection, price on request

Item normally available from stock					
Model	Description	300	400	500	600
		euro	euro	euro	euro
EPZ-EDE-FB	Galvanised plenum with damper and fixing bracket	76,51 ∨	90,96 ∨	106,02 ∨	124,93 ∨
EPI-EDE-FB	INSULATED galvanised plenum with damper and fixing bracket	90,23 ∨	110,52 ∨	130,16 ∨	153,14 ∨
	<b>SCREW AND CAP</b>			a.r. ∨	