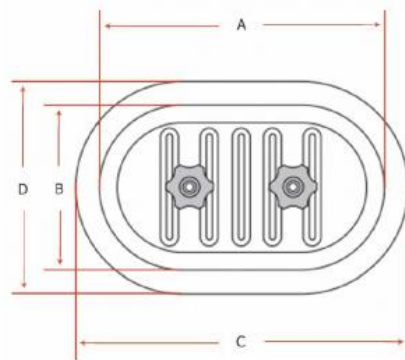
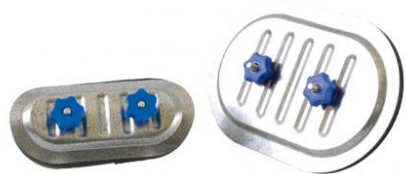


# EAPI Inspection doors for square and circular ducts



## Description :

Inspection door for air ducts with high quality EPDM gasket.

## Characteristics :

Material : galvanized / AISI 304 stainless steel, thickness 15/10

## Use :

Ideal for square or circular ducts to inspect the internal part, in case of maintenance or hatch.

## Dimensions

A x B: opening size

C x D: external dimension of the inspection door

model	A	B	C	D
	mm	mm	mm	mm
180x80	170	72	197	101
200x100	200	100	219	117
250x150	250	150	274	186
300x200	300	200	329	228
400x300	380	280	403	303
500x400	500	400	532	432
600x450	600	450	627	480

## Price list

Item normally available from stock

### access door for rectangular ducts

model	galvanized steel	AISI 304 stainless steel	Multiple Sort: Pieces
	euro	euro	
180x80	11,39 ✓	99,09 ✓	10
200x100	13,89 ✓	-	5
250x150	16,44 ✓	119,94 ✓	5
300x200	25,27 ✓	151,20 ✓	5
400x300	37,94 ✓	328,51 ✓	5
500x400	81,59 ✓	364,97 ✓	5
600x450	102,81 ✓	-	5

Item normally available from stock

## access door for circular ducts

model	diameter	access door for circular ducts		Multiple Sort:
		galvanized steel	AISI 304 stainless steel	
	mm	euro	euro	Pieces
180x80	100	11,39 v	135,60 v	10
180x80	125	11,39 v	-	10
180x80	160	11,39 v	-	10
180x80	200	11,39 v	-	10
250x150	160	16,44 v	156,40 v	5
250x150	200	16,44 v	-	5
250x150	250	16,44 v	-	5
250x150	315	16,44 v	-	5
250x150	355	16,44 v	-	5
250x150	400	16,44 v	-	5
250x150	450	16,44 v	-	5
250x150	500	16,44 v	-	5
300x200	315	25,27 v	187,71 v	5
300x200	355	25,27 v	-	5
300x200	400	25,27 v	-	5
300x200	450	25,27 v	-	5
300x200	500	25,27 v	-	5
400x300	400	37,94 v	375,89 v	5
400x300	450	37,94 v	-	5
400x300	500	37,94 v	-	5
400x300	560	37,94 v	-	5
400x300	630	37,94 v	-	5
400x300	710	37,94 v	-	5
400x300	800	37,94 v	-	5
400x300	900	37,94 v	-	5
500x400	630	170,02 v	448,40 v	5
500x400	710	170,02 v	-	5
500x400	800	170,02 v	-	5
500x400	900	170,02 v	-	5
500x400	1000	170,02 v	-	5
500x400	1120	170,02 v	-	5
500x400	1250	170,02 v	-	5
600x450	710	190,18 v	-	5
600x450	800	190,18 v	-	5
600x450	900	190,18 v	-	5
600x450	1000	190,18 v	-	5
600x450	1120	190,18 v	-	5
600x450	1250	190,18 v	-	5
600x450	1400	190,18 v	-	5
600x450	1500	190,18 v	-	5