

# EVCES4 Air curtain barrier



## Description

Air curtains up to 3500 m<sup>3</sup>/h for surface mounting.

## Characteristics

Steel frame white painted RAL 9016 .  
Air curtain barrier with 3 speed levels.

## use

To reduce the entry of hot/cold air from outside on doors up to 3.2 m high in environments such as bars, restaurants and shops. Not suitable for industrial environments.

## Lengths

Length 1 / 1,5 / 2 / 2,5m

## versions

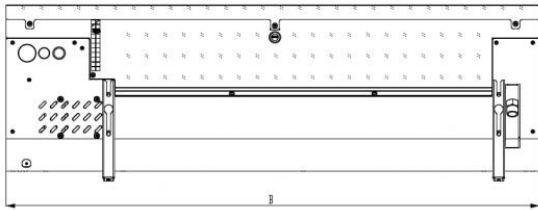
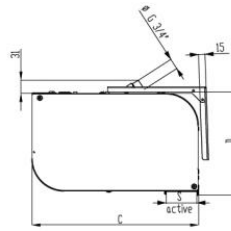
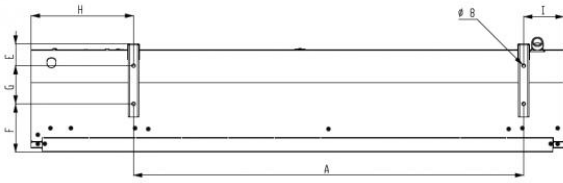
- Without heating
- with electric battery
- with water coil .

## Control Panels

- BASIC with manual switch
- PRIME with touch-screen, integrated thermostat, remote management from APP and possibility of control from ModBus

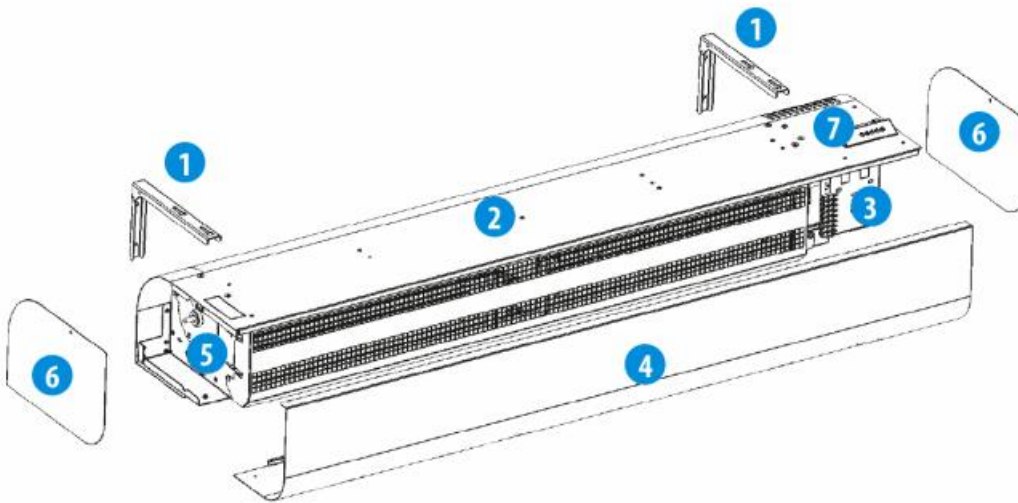
Only with the air curtain with PRIME control is it possible to chain multiple barriers under the same panel (e.g. one PRIME air curtain + 10 SLAVE air curtains)

The SLAVE air curtains do not have a control panel.



## Main parts

- 1 - Fixing brackets
- 2 - upper closure
- 3 - control module housing
- 4 - air intake grille
- 5 - water connections (only version with water battery)
- 6 - side closures
- 7 - power supply input



## Dimension

model	A	B	C	D	E	F	G	H	I
EVCES4 B 100	916	1252	392	244	51	111	90	240	95
EVCES4 B 150	1325	1660							
EVCES4 B 200	1825	2160							
EVCES4 B 250	2235	2570							

## Operating data and list - height 3,2 mt

(1) Air flow rates measured according to ISO 27327-1

Modello	Portata m <sup>3</sup> /h <sup>1</sup>			Alimentazione	Consumo A		Lunghezza mm	Riscaldamento	Potenza kW	Aumento di temperatura °C
	Velocità 3	Velocità 2	Velocità 1		motore	totale				
EVCES4-B-100-S0	1350	900	700	230V-1F-50Hz	0,6	0,6	1252	Senza	-	-
EVCES4-B-150-S0	2200	1550	1150	230V-1F-50Hz	0,9	0,9	1660	Senza	-	-
EVCES4-B-200-S0	3000	2200	1450	230V-1F-50Hz	1,4	1,4	2160	Senza	-	-
EVCES4-B-250-S0	3500	3200	2350	230V-1F-50Hz	1,4	1,4	2570	Senza	-	-
EVCES4-B-100-E1	1350	900	700	400V-3F-50Hz	0,6	14,4	1252	Elettrico	3,2 / 6,3	13,9
EVCES4-B-150-E1	2200	1550	1150	400V-3F-50Hz	0,9	21,3	1660	Elettrico	5,0 / 10,0	13,5
EVCES4-B-200-E1	3000	2200	1450	400V-3F-50Hz	1,4	27,9	2160	Elettrico	6,3 / 12,6	12,5
EVCES4-B-250-E1	3500	3200	2350	400V-3F-50Hz	1,4	26,0	2570	Elettrico	8,2 / 16,3	13,8
EVCES4-B-100-E0	1350	900	700	400V-3F-50Hz	0,6	13,7	1252	Elettrico	3,2 / 4,7	10,3
EVCES4-B-150-E0	2200	1550	1150	400V-3F-50Hz	0,9	11,9	1660	Elettrico	3,8 / 7,5	10,1
EVCES4-B-200-E0	3000	2200	1450	400V-3F-50Hz	1,4	15,8	2160	Elettrico	4,8 / 9,5	9,4
EVCES4-B-250-E0	3500	3200	2350	400V-3F-50Hz	1,4	19,4	2570	Elettrico	6,9 / 12,2	10,4
EVCES4-B-100-V2	1300	900	700	230V-1F-50Hz	0,6	0,6	1252	Acqua	16,0	36,4
EVCES4-B-150-V2	2000	1500	1150	230V-1F-50Hz	0,9	0,9	1660	Acqua	23,6	35,0
EVCES4-B-200-V2	2950	2300	1650	230V-1F-50Hz	1,4	1,4	2160	Acqua	34,0	34,1
EVCES4-B-250-V2	3700	3200	2350	230V-1F-50Hz	1,4	1,4	2570	Acqua	42,9	34,3

## Pressione sonora

(2) Sound pressure levels according to ISO 27327-2 at 3 and 5 m distance at maximum speed. Directional factor: Q = 2

(3) Sound pressure levels according to ISO 27327-2 at 3 and 5 m distance at maximum speed. Directional factor: Q = 2

Modello	Pressione sonora a 3 mt - dB(A) <sup>2</sup>			Potenza sonora - dB(A) <sup>3</sup>	Peso kg
	Velocità 3	Velocità 2	Velocità 1		
EVCES4-B-100-S0	48	38	29	69	22,0
EVCES4-B-150-S0	50	54	35	71	28,0
EVCES4-B-200-S0	51	45	34	72	36,0
EVCES4-B-250-S0	52	52	45	74	42,0
EVCES4-B-100-E1	48	38	29	69	23,0
EVCES4-B-150-E1	50	54	35	71	29,0
EVCES4-B-200-E1	51	45	34	72	37,0
EVCES4-B-250-E1	52	52	45	74	44,0
EVCES4-B-100-E0	48	38	29	69	23,0
EVCES4-B-150-E0	50	54	35	71	29,0
EVCES4-B-200-E0	51	45	34	72	37,0
EVCES4-B-250-E0	52	52	45	74	44,0
EVCES4-B-100-V2	47	40	37	68	25,0
EVCES4-B-150-V2	49	44	37	71	31,0
EVCES4-B-200-V2	51	48	39	73	41,0
EVCES4-B-250-V2	52	52	44	74	48,0

## BASIC price list

Model	Euro
EVCES4-B-100-S0-BA	2085,94
EVCES4-B-150-S0-BA	2444,00
EVCES4-B-200-S0-BA	2709,94
EVCES4-B-250-S0-BA	3290,86
EVCES4-B-100-E1-BA	2588,11
EVCES4-B-150-E1-BA	3304,23
EVCES4-B-200-E1-BA	3614,74
EVCES4-B-250-E1-BA	4289,26
EVCES4-B-100-E0-BA	2487,09
EVCES4-B-150-E0-BA	3166,06
EVCES4-B-200-E0-BA	3460,23
EVCES4-B-250-E0-BA	4100,57
EVCES4-B-100-V2-BA	2550,97
EVCES4-B-150-V2-BA	3033,83
EVCES4-B-200-V2-BA	3411,20
EVCES4-B-250-V2-BA	4088,69

BASIC control panel



### PRIME price list

Model	Euro
EVCES4-B-100-S0-PR	2687,66
EVCES4-B-150-S0-PR	3090,29
EVCES4-B-200-S0-PR	3498,86
EVCES4-B-250-S0-PR	3897,03
EVCES4-B-100-E1-PR	3461,71
EVCES4-B-150-E1-PR	4002,51
EVCES4-B-200-E1-PR	4568,57
EVCES4-B-250-E1-PR	5072,23
EVCES4-B-100-E0-PR	3454,29
EVCES4-B-150-E0-PR	3922,29
EVCES4-B-200-E0-PR	4555,20
EVCES4-B-250-E0-PR	5063,31
EVCES4-B-100-V2-PR	3240,34
EVCES4-B-150-V2-PR	3751,43
EVCES4-B-200-V2-PR	4304,11
EVCES4-B-250-V2-PR	4822,63

Control panel PRIME.



**AirGenio PRIME 2Vv s.r.o. application available on both GOOGLE PLAY and APPLE STORE.**

### SLAVE price list

Model	Euro
EVCES4-B-100-S0-PS	2282,06
EVCES4-B-150-S0-PS	2684,69
EVCES4-B-200-S0-PS	3008,57
EVCES4-B-250-S0-PS	3491,43
EVCES4-B-100-E1-PS	2937,26
EVCES4-B-150-E1-PS	3516,69
EVCES4-B-200-E1-PS	3965,37
EVCES4-B-250-E1-PS	4639,89
EVCES4-B-100-E0-PS	2836,23
EVCES4-B-150-E0-PS	3530,06
EVCES4-B-200-E0-PS	3809,37
EVCES4-B-250-E0-PS	4449,71
EVCES4-B-100-V2-PS	2836,23
EVCES4-B-150-V2-PS	3345,83
EVCES4-B-200-V2-PS	3781,14
EVCES4-B-250-V2-PS	4417,03

WITHOUT control panel

### accessories

Modello	Descrizione	Euro
EDS	Interruttore apertura porta (comando per versione BASIC)	176,50 ✓
EDK-B-3	Interruttore apertura porta (comando per versione PRIME)	82,97 ✓
ETER-P	Termostato ambiente da parete	82,97 ✓
EV135-3/4B	Valvola a 3 vie con capillare	807,29 ✓
EZV3	Valvola a 3 vie motorizzata ON/OFF	430,83 ✓
EVCE-RAL	Verniciatura RAL a richiesta	1307,93 ✓