

EVHRC EVO Class A heat recuperator unit



Description

Single room heat recovery unit with reversible air flow and ceramic exchanger with certified efficiency according to the ECODSIGN classification. EVHRC EVO is a ventilation unit complete with heat recovery unit dedicated to air exchange without energy waste.

The unit is designed to be used in individual rooms in buildings where it is not considered useful or convenient to install centralized systems. EVHRC EVO is equipped with temperature, humidity and brightness sensors, which allow the unit to adopt the most suitable ventilation modes in total autonomy and ensure the best environmental comfort. These recuperators are particularly suitable for renovations or in rooms where molds and odors are formed.

Characteristics

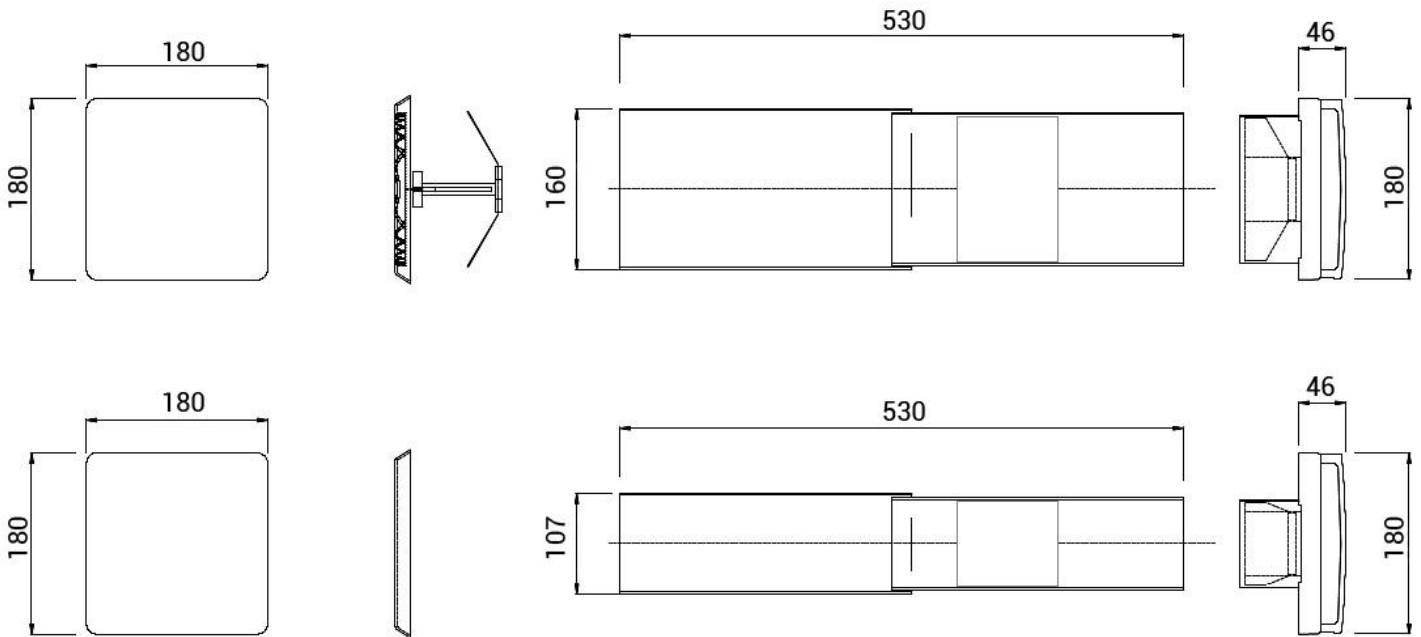
- Structure and front grilles in ABS.
- DC Brushless fan with reverse cycle operation compliant with ERP 2015 standard.
- electronic management of the operating cycle, choice between automatic and coordinated.
- Intelligent infrared remote control.
- telescopic tube from 240 to 530 mm.
- regenerative heat recovery through a ceramic exchanger placed inside the unit.
- coarse efficiency filters (G3)
- temperature, humidity, light sensor and IAQ sensor.

Use

Houses, surgeries, offices and schools.

Accessories on request

Interchangeable aesthetic front panels with colors and finishes on request.



Description of operation:

Recuperator managed via intelligent infrared remote control.

Selection of the 3 speeds and the operating mode between entry only, only ejection or automatic cycle for heat recovery.

Selection of automatic operation via the sensors.

The recuperator is equipped with an automatic control that optimizes the cycle time to maximize heat recovery.

Operation data

Grandezza EVHRC EVO		02	05
Tipo di Ventilatori		Assiale DC Brushless (Dati riferiti alla norma UNI EN 13141-8)	
Numero Velocità		3	3
Portata aria nominale	m³/h	24	50
Portata aria nel ciclo	m³/h	18	38
Portate aria velocità max / med / min	m³/h	24 / 12 / 8	50 / 25 / 15
Portate aria velocità ciclo max / med / min	m³/h	18 / 9 / 6	38 / 20 / 12
Portata aria notturna	m³/h	5	10
Scambiatore di calore (Dati riferiti alla norma UNI EN 13141-8 Temp.interna 20° - Umidità interna 28% - Temp.esterna 7° - Umidità esterna 72%)			
Tipo di scambiatore		Rigenerativo	
Efficienza di recupero	%	79	77
Tipo di filtri		Filtri Piani	
Classe di filtrazione		Coarse (G3)	
Dati acustici (Dati riferiti alla norma UNI EN 3741 e UNI EN 3744)			
Potenza sonora Lw max / med / min	dB(A)	39 / 37 / 34	44 / 38 / 29
Pressione sonora a 1 mt max / med / min	dB(A)	28 / 26 / 23	32 / 26 / 18
Dati Elettrici			
Tensione di alimentazione	V	230 / 1 / 50 Hz	
Potenza assorbita	W	4	6,6
Grado di protezione	IP	X4	X4
Dimensionali			
Maschera interna	mm	180 x 180	180 x 180
Diametro	mm	107	160
Profondità tubo	mm	Min 240 / Max 530	
Ecodesign			
classificazione dei vari modelli secondo il regolamento europeo 1253/2014 e 1254/2014		A	A

Price list:

Item normally available from stock		
Model	Euro	
EVHRC EVO 02	443,57 ✓	
EVHRC EVO 05	443,57 ✓	