

EVREA Air diffuser in ABS

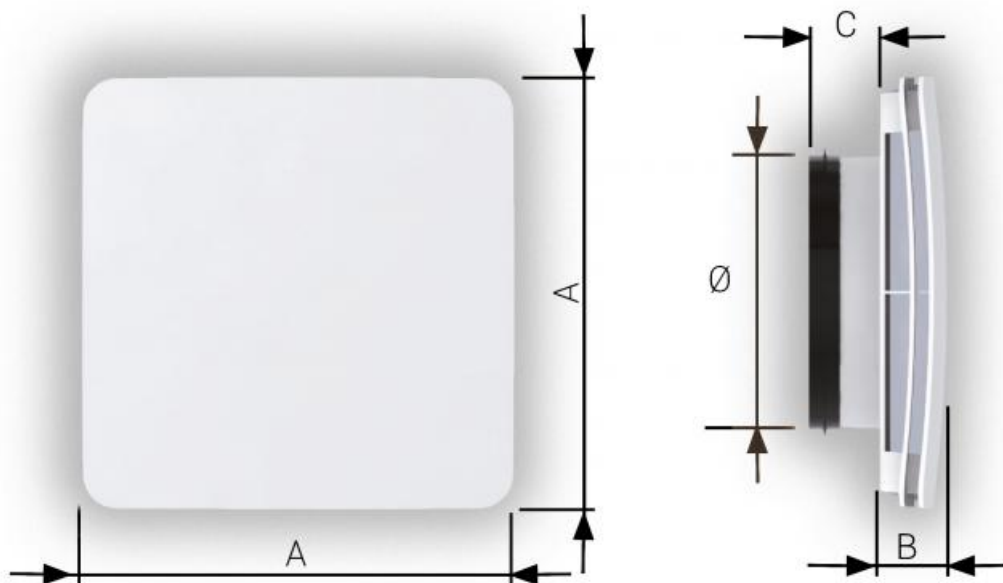


Description

White ABS air diffuser with circular rear connection, with movable deflectors to adjust the air throw on 4 sides.
Connection collar in plastic material.

Features

EVREA diffusers are made of white plastic material and are suitable for both supply air and return air. In the body of the diffuser it is possible to mount from 1 to 3 EVREA-DF deflectors (optional to be purchased separately) to convey the air in a throw from 1 to 3 ways.
The diffusers can also be used without deflectors, thus obtaining a 4-way throw. Furthermore, installation in combination with ERDR series ribbed flow regulators is possible. The installation can be carried out on any duct from \varnothing 80 mm to \varnothing 200 mm. It is also possible to install the diffuser on plasterboard false ceilings using the EVREA-M sleeve.



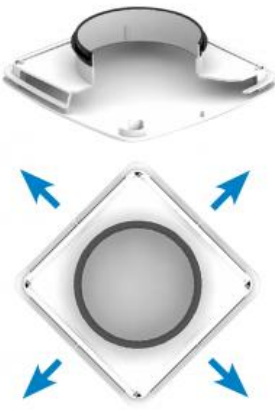
Dimensions

All dimensions are expressed in mm.

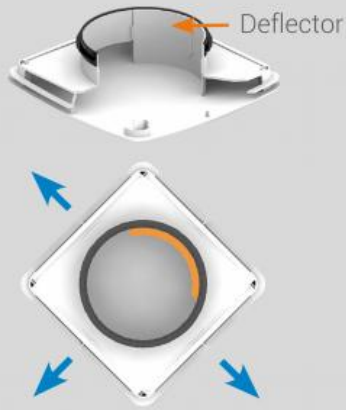
Model	\varnothing D	A	B	C
EVREA-80	73	119	21	29
EVREA-100	93	185	29	30
EVREA-125	118	185	29	30
EVREA-160	148	236	33	38
EVREA-200	185	280	33	38

Installation and configurations

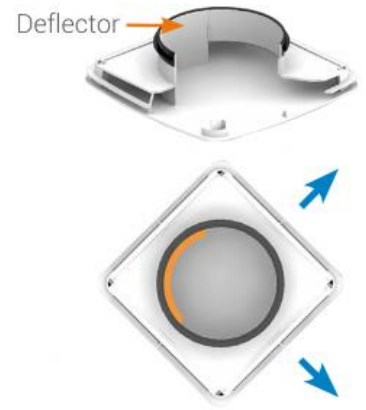
Wall or ceiling mounting



Ceiling mounting close to the wall

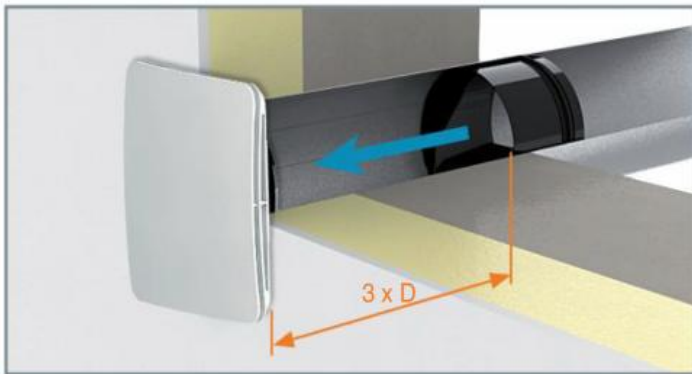


Ceiling mounting near a corner

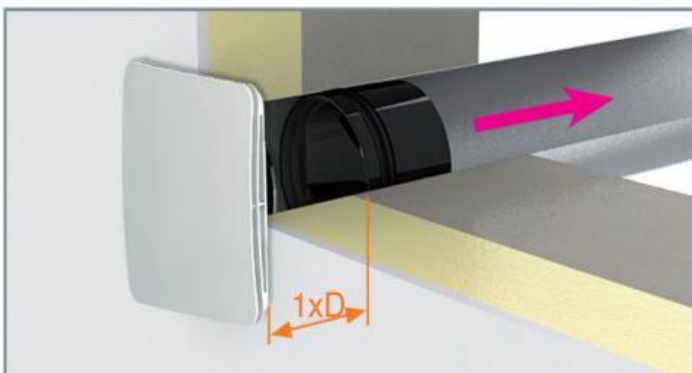


The deflector (optional) fits between 2 guides on the neck of the diffuser, closing the air passage by 120°

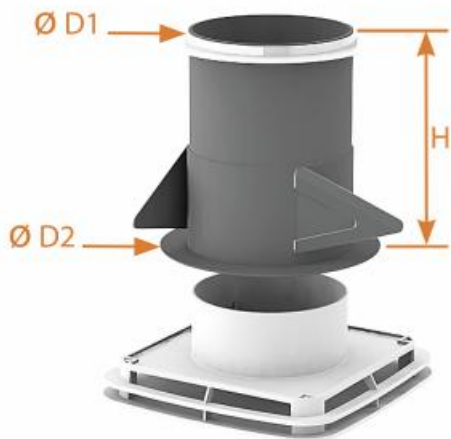
ERDR installation on supply



ERDR installation in air intake



EVREA-M sleeve for false ceiling installation



Modello	Ø D1 (mm)	Ø D2 (mm)	H (mm)
EVREA-M - 80	76	99	100
EVREA-M - 100	96	134	100
EVREA-M - 125	118	154	100
EVREA-M - 160	148	195	100
EVREA-M - 200	190	234	100

Technical characteristics

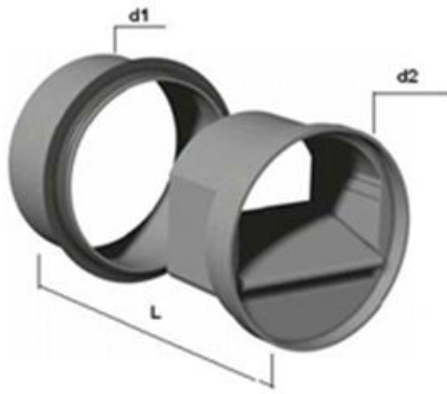
Pa: pressure drops in pascals

dB(A): noise index

Vk(m/s): air speed

Model	Air flow	Supply air without deflectors				Supply air with a deflectors			Return air		
	m ³ /h	Pa	Vk(m/s)	dB(A)	Pa	Vk(m/s)	dB(A)	Pa	Vk(m/s)	dB(A)	
EVREA-80	15	2	2,1	22	5	3,3	22	3	2,4	23	
	30	8	4,2	23	19	6,5	28	9	4,5	23	
	45	18	6,3	29	43	9,8	38	18	4,3	25	
	60	32	8,4	37	-	-	-	33	8,6	32	
EVREA-100	30	2	1,8	23	4	3,0	23	3	2,6	23	
	45	4	2,8	23	9	4,5	24	6	3,7	23	
	60	7	4,0	23	16	6,0	28	11	5,0	23	
	75	11	5,0	26	24	7,3	34	16	6,0	25	
EVREA-125	90	15	5,8	29	36	9,0	40	23	7,2	28	
	45	3	2,6	22	6	3,7	23	4	2,8	22	
	60	5	3,3	22	11	5,2	26	6	3,7	23	
	75	8	4,2	23	19	6,5	31	9	4,5	23	
	90	12	5,2	26	27	7,8	35	13	5,4	23	
	120	21	6,8	33	47	10,2	42	22	7,0	31	
EVREA-160	150	33	8,6	39	73	12,8	49	35	8,8	34	
	120	11	5,0	25	24	7,3	33	9	4,5	23	
	150	17	6,2	29	37	9,1	39	14	5,6	24	
	180	25	7,9	35	54	11,0	45	20	6,7	28	
	210	34	8,7	40	72	12,7	49	27	7,8	34	
	240	44	9,9	43	94	14,5	53	36	9,0	36	
EVREA-200	270	-	-	-	-	-	-	45	10,0	38	
	240	30	8,2	37	66	12,1	47	23	7,2	33	
	270	38	9,2	41	83	13,6	51	29	8,0	36	
	300	46	10,1	44	102	15,1	54	35	8,8	37	
	350	62	11,8	48	133	17,2	58	46	10,1	40	
	400	80	13,4	52	169	19,4	61	58	11,4	43	

ERDR dimension



model ERDR	d1	d2	L
80	76	76	55
100	96	93	70
125	120	117	86
160	145	148	91
200	190	195	91

Price list

Modello	Descrizione	Euro
EVREA-80	EVREA 80 diffuser without deflectors	14,92 ∨
EVREA-100	EVREA 100 diffuser without deflectors	21,53 ∨
EVREA-125	EVREA 125 diffuser without deflectors	22,39 ∨
EVREA-160	EVREA 160 diffuser without deflectors	50,23 ∨
EVREA-200	EVREA 200 diffuser without deflectors	76,06 ∨
EVREA-DF-80	Deflector for EVREA-80	1,72 ∨
EVREA-DF-100	Deflector for EVREA-100	2,01 ∨
EVREA-DF-125	Deflector for EVREA-125	2,30 ∨
EVREA-DF-160	Deflector for EVREA-160	3,16 ∨
EVREA-DF-200	Deflector for EVREA-200	4,88 ∨
EVREA-M 80	Plastic sleeve for EVREA-80 length 100mm	7,45 ∨
EVREA-M 100	Plastic sleeve for EVREA-100 length 100mm	11,97 ∨
EVREA-M 125	Plastic sleeve for EVREA-125 length 100mm	11,97 ∨
EVREA-M 160	Plastic sleeve for EVREA-160 length 100mm	17,82 ∨
EVREA-M 200	Plastic sleeve for EVREA-200 length 100mm	22,61 ∨