

# EVTE ECOWATT Roof centrifugal fan



## Description:

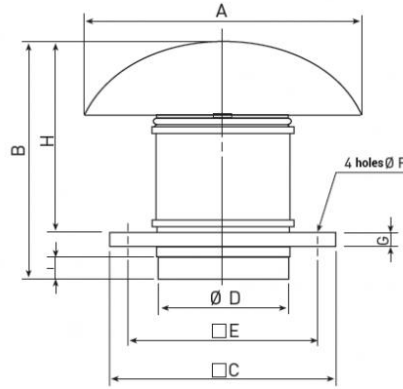
Roof-mounted reversible helicopter extractors with single-phase, three-speed adjustable motor, constructed from weather-resistant materials.

## use:

Extraction of stale air (kitchens, toilets, laboratories) with maximum temperature 60 °C .

## Special features :

Very easy removal of the motor/fan assembly. On models 50, 80, it is possible to realise air supply operation by rotating the motor-rotating unit through 180°.



## Characteristics:

Models 50 and 80:  
The frame is made of plastic material. The base and cap made of galvanised steel, protected against corrosion by an epoxy-polyester paint coating.  
Models 130 and 200:  
The frame and base are made of galvanised steel. The pod is made of aluminium. All parts are protected against corrosion by an epoxy-polyester paint coating, volatile protection mesh and cable gland inlet connection included as standard.  
The motor and impeller can be easily removed for inspection and cleaning by means of 2 fixing clamps. Single-phase 230V 50 Hz.  
3 adjustable speeds.  
IP44, class F, thermal protection included and lifetime lubricated ball bearings.

## Accessories :

- Non-return damper
- A three-speed switch
- single-phase regulator

## dimensions

all measurements are in mm

model	A	B	C	D	E	F	G	H	I
50/150	400	349	300	150	245	10	20	274	33
50/160	400	339	300	160	245	10	20	274	33
80	400	375	300	198	245	10	20	310	36
130	546	457	435	248	330	12	20	372	42
200	735	544	560	312	450	12	20	450	50

## Operating data

\* Sound pressure levels measured at a distance of 3 meters in free field in the central point of the curve

Modello EVTE ECOWATT	Velocità (r.p.m.)	Massima potenza assorbita (W)	Massima intensità assorbita (A)	Portata massima (m3/h)	Livello pressione sonora* dB(A)		temperatura di esercizio °C	Peso kg			
					Aspirazione	Scarico					
50/150 3V - 50/160 3V	ESPULSIONE	2560	54	0,23	500	46	50	-20/+60	3,8		
		2120	43	0,19	420	43	46				
		1790	41	0,18	360	38	42				
	IMMISSIONE	2540	63	0,27	530	48	47				
		2170	53	0,22	460	44	43				
		1750	49	0,2	360	39	39				
80 3V	ESPULSIONE	2380	117	0,51	790	48	52	-20/+60	5,6		
		2110	108	0,49	680	46	50				
		1940	105	0,47	610	44	48				
	IMMISSIONE	2390	136	0,56	890	52	54				
		2110	129	0,53	780	49	51				
		1880	126	0,52	690	47	49				
130 3V	ESPULSIONE	2480	192	0,81	1060	54	60	-40/+60	11,2		
		2140	152	0,63	910	51	57				
		1920	133	0,55	800	49	55				
200 3V	ESPULSIONE	2530	301	1,14	1570	57	67			-40/+60	17,5
		2250	231	0,89	1390	55	65				
		1960	183	0,71	1220	51	62				

## Prestazione aeraulica

Pa : pressure drop in Pascal

modello EVTE ECOWATT		pressione Pa										
		10	50	100	150	200	250	300	400	500	600	700
50/150 - 50/160	ESPULSIONE	325	260	175	55							
		400	350	280	160	50						
		495	450	395	310	140	60					
	IMMISSIONE	350	280	200	65							
		450	380	320	185							
		530	485	435	360	140						
80	ESPULSIONE	610	540	475	340	240	100					
		670	620	550	450	270	190	35				
		785	730	660	600	390	250	130				
	IMMISSIONE	675	620	540	410	260						
		760	710	640	540	360						
		880	840	760	670	570	260					
130	ESPULSIONE	775	685	550	410	350	285	200	60			
		900	820	725	590	460	385	300	175	25		
		1020	975	900	810	690	510	410	275	110		
200	ESPULSIONE	1230	1060	860	600	450	390	300	120			
		1470	1350	1200	1100	880	620	550	400	245	100	
		1780	1600	1480	1400	1300	1170	920	700	500	320	200

## Price list

Item normally available from stock			
modello EVTE ECOWATT	EVTE ECOWATT euro	Interruttore 3 velocità COM-3	regolatore di tensione REB
50/150	1584,34 v	355,84 v	224,74 v
50/160	1589,89 v	355,84 v	224,74 v
80	1685,20 v	355,84 v	224,74 v
130	3147,18 v	355,84 v	224,74 v
200	3378,10 v	355,84 v	279,46 v