

ERT200T Galvanised steel shut-off regulation dampers 200 mm pitch.



Description

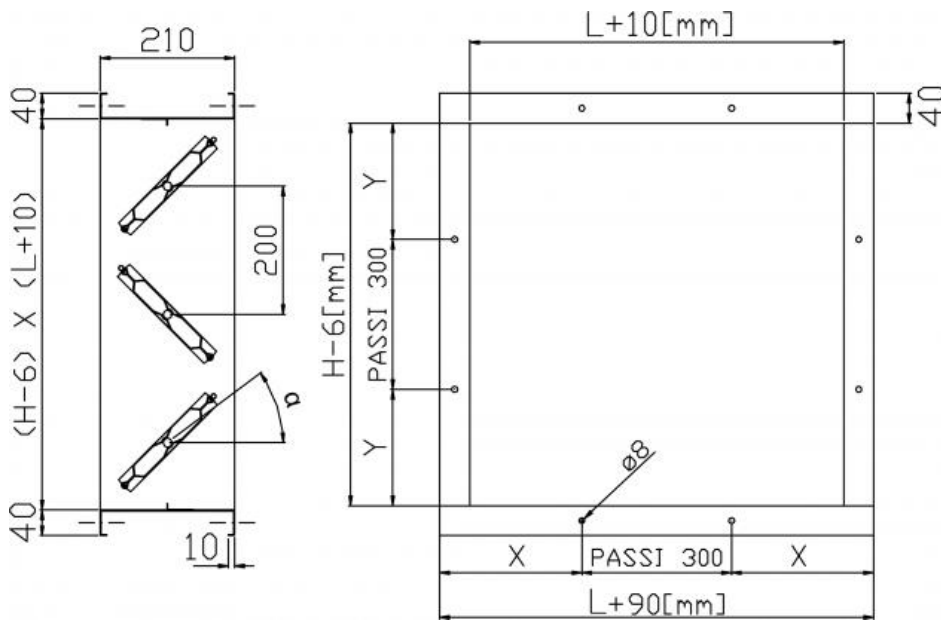
Regulation dampers with blade movement by means of gears located outside the air flow and special gaskets on the blades, capable of guaranteeing tightness class 4 according to the EN 1751 Standard.

Characteristics

- 15/10 galvanised steel frame;
- galvanised steel honeycomb blades with special profile for housing gaskets, thickness 0.8+0.8 mm;
- blade pitch 200 mm;
- external levers to control the damper;
- bronze bushings;
- galvanised control pins $\varnothing 8$ mm;
- lateral seal with stainless steel plates and single seal on each blade.

On request

- With manual control R12;
- AISI 304 version;
- electric servomotor.



Dimensional characteristics

L	No. holes $\varnothing 8$ mm	X
200	1	140
300	1	190
400	2	90
500	2	140
600	2	190
700	3	90
800	3	140
900	3	190
1000	4	90
1100	4	140
1200	4	190
1300	5	90
1400	5	140
1500	5	190

H	No. holes $\varnothing 8$ mm	Y
210	0	0
410	1	205
610	1	305
810	2	255
1010	3	205
1210	3	305
1410	4	255
1610	5	205
1810	5	305
2010	6	255

Pressure drop and generated noise

V: crossing speed (m/s).

Δ pt [Pa]: pressure drops in Pascal.

LwA [dB(A)]: noise level.

α : opening angle of the regulation damper, 0° the blades are fully open.

*Speed not recommended.

Vk (m/s)	α 0°		α 30°		α 60°	
	Δ pt [Pa]	LwA [dB(A)]	Δ pt [Pa]	LwA [dB(A)]	Δ pt [Pa]	LwA [dB(A)]
1	< 5	< 20	6	32	130	49
2	< 5	23	23	49	520	69
3	< 5	34	52	58	1185	16
4	< 5	42	94	66	1350	83
5	< 5	48	145	71	> 1500*	87
6	< 5	53	215	75	> 1500*	92

Rotation torque required to open and close the damper

Surface area [m ²]	Servomotor	
	WITHOUT spring return [Nm]	WITH spring return [Nm]
< 0,20	20	10
< 1,50	30	20
< 2,20	40	40
< 3,00	60	40
< 4,00	-	80

Price list

H	L													
	200	300	400	500	600	700	800	900	1000	1100	1200	1300	1400	1500
	euro	euro	euro	euro	euro	euro	euro	euro	euro	euro	euro	euro	euro	euro
210	239,08	250,96	263,07	275,20	286,75	299,47	311,56	323,42	335,53	347,38	359,55	371,96	383,50	395,92
410	288,47	304,95	321,40	337,87	354,04	370,78	387,23	403,70	420,14	436,61	453,10	469,84	486,01	502,76
610	337,87	358,94	379,72	400,52	421,33	442,10	462,91	483,98	504,76	525,86	546,64	567,71	588,52	609,59
810	387,23	412,36	437,50	462,91	488,00	513,14	538,55	563,96	589,10	614,81	639,90	665,31	690,72	716,16
1010	436,61	466,09	495,82	525,07	555,02	584,76	614,51	652,46	673,70	703,74	733,47	763,22	792,96	822,99
1210	485,44	511,56	553,88	587,94	622,01	656,07	690,15	724,25	758,31	792,69	826,75	861,12	895,20	929,53
1410	534,80	573,50	611,90	650,60	686,59	727,70	766,10	804,65	843,19	881,62	920,29	958,99	997,69	1036,39
1610	583,88	626,91	669,95	712,98	755,70	798,74	841,77	884,77	1099,93	970,56	1013,56	1056,90	1100,34	1143,24
1810	633,27	680,64	728,00	775,64	822,99	870,36	917,71	965,05	1012,42	1060,08	1107,41	1154,78	1202,14	1249,81
2010	682,37	734,33	786,03	838,02	889,71	941,68	993,37	1045,33	1097,02	1149,02	1200,71	1252,67	1304,38	1356,35

Manual control

Description	€
Manual control R12 pin \varnothing 18mm	a.r. ∇

