

EDLSV - EDLSVB Hidden linear diffusers



Description

Concealed linear diffusers for vmc systems with a 30 mm slot with an aerodynamic aluminium profile and adjustable deflectors for optimal air throw control.

Features

Materiale: aluminium.
Finishing: EDLSV: painted black Ral 9005

Finishing: EDLSVB: painted white Ral 9016
Slot: 30 mm.

Installation: by means of a plenum box with a bridge assembly system. Placement of anti-crack tape on the frame and subsequent plaster skimming.

Dimensions available:

- Length 500 mm;
- Length 800 mm.

Use

Diffuser suitable for air-supply or return in residential and commercial environments.

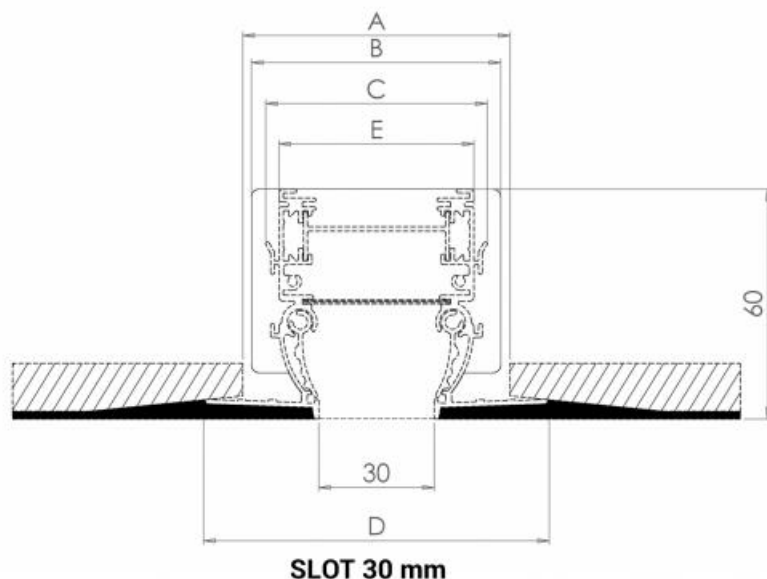
Models

-EDLSV - EDLSVB hidden linear diffusers with deflectors (supply) 30 mm slot.

Accessories

- isolated plenum;
- fixing bridges.

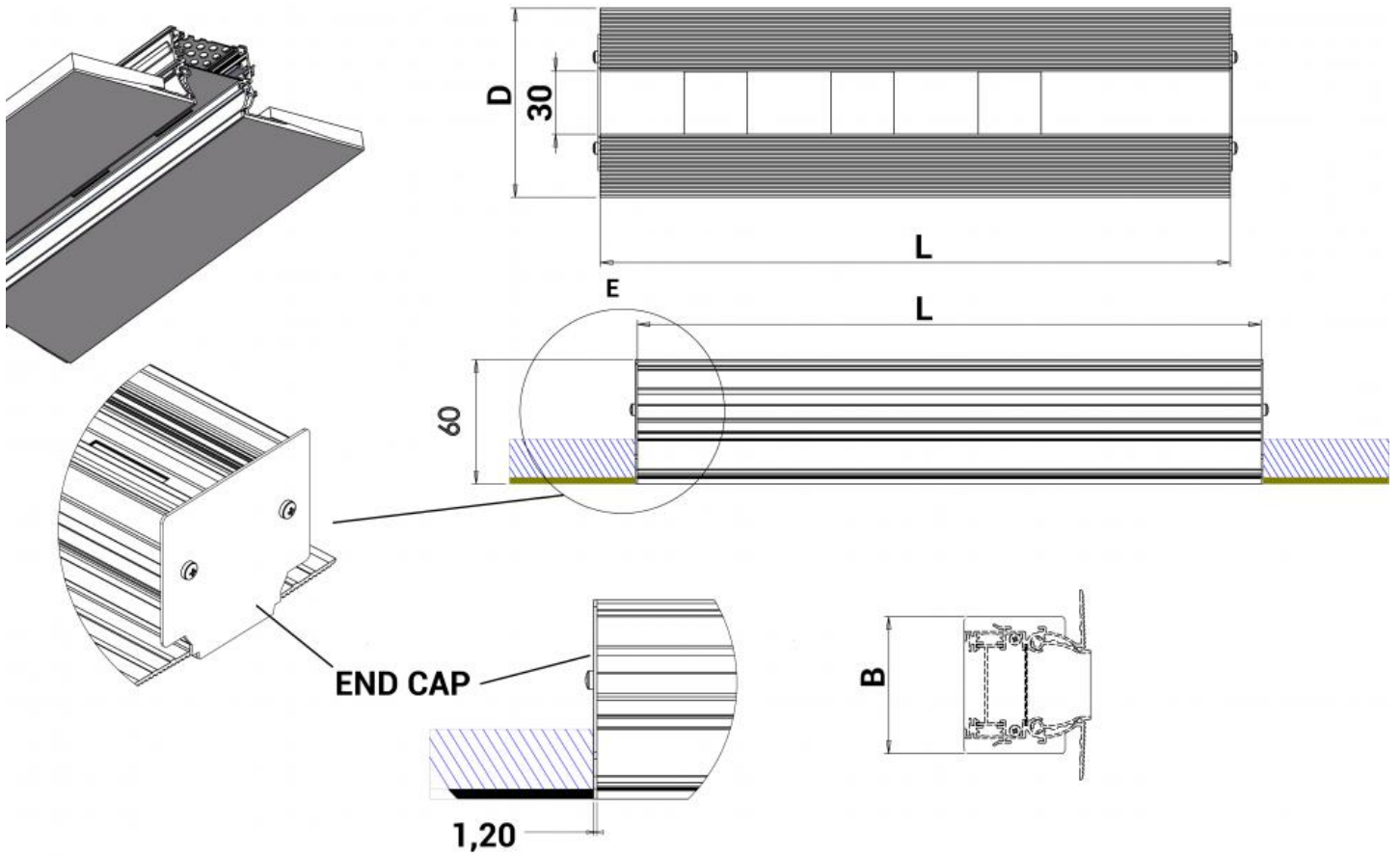
Hidden linear diffusers dimensions



Dimensions are expressed in mm

L	A	B	C	E	D	number of fixing bridges
500	70	65	58	51	90	2
800						2

Diffuser dimensional details



Operating data

Data referring a terminal throw velocity $V_t = 0.25$ m/s and with a temperature differential of 10/12°C in ceiling installation and side air throw.

Operation data concerning to diffuser without damper or with open sliding damper.

Operation data concerning to diffuser with deflectors in working position with 50% reduction of the effective air passage surface.

The position of the deflectors reduce the effective section. When the deflectors are open or in return mode, the air flow (m^3/h) could be increased.

Vk: effective speed (m/s)

m^3/h : air flow

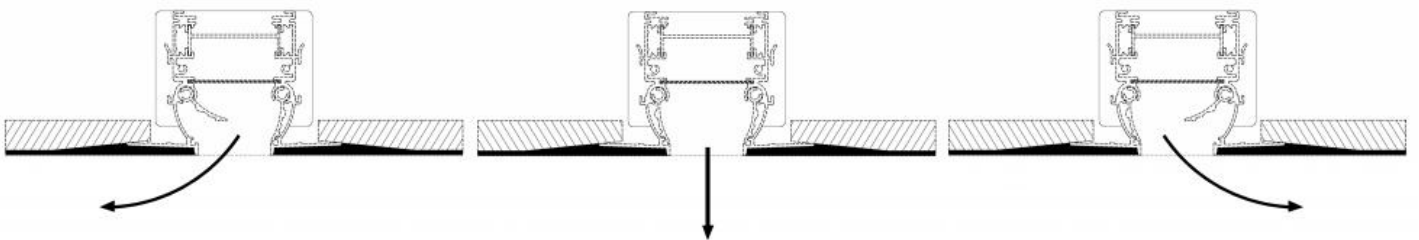
Pa: pressure drop in Pascal

L(m): air throw in meters

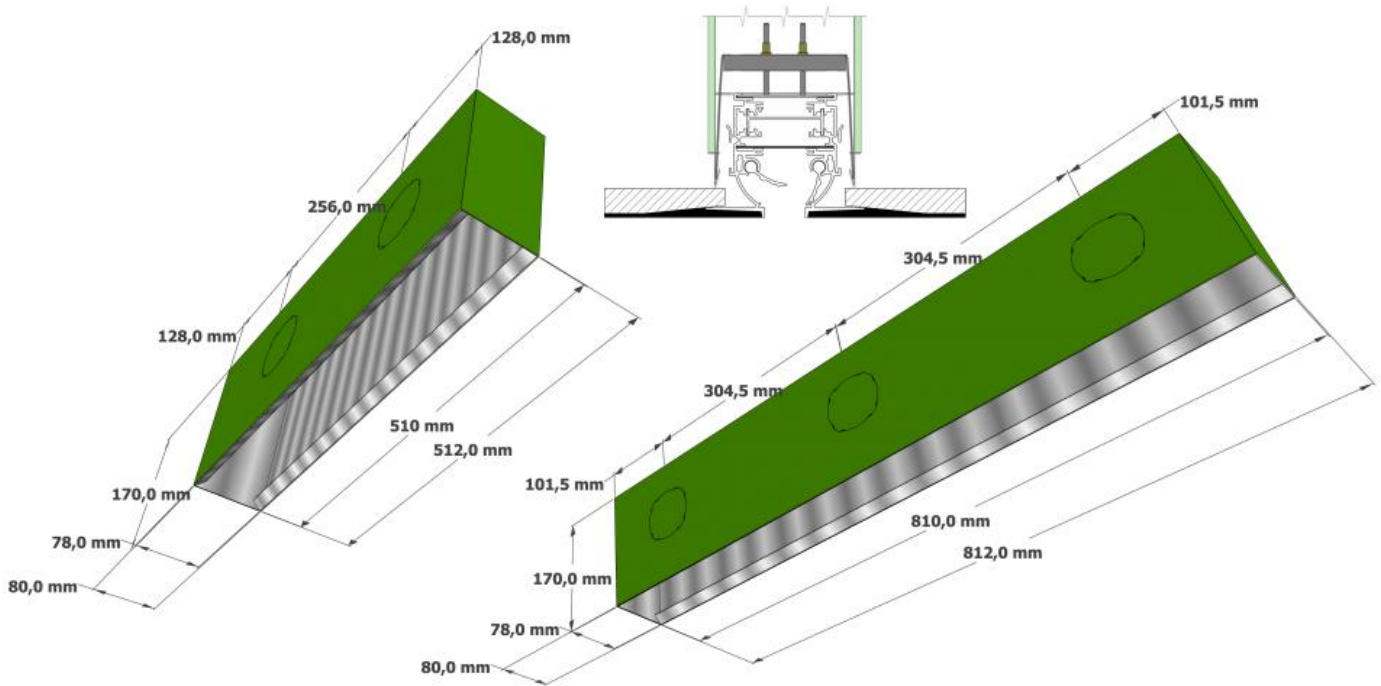
dB(A): noise level

Length EDLSVMC-EDLSVMCB	Effective section m^2	Air flow and throw						
		m^3/h	52	79	105	132	158	184
500 mm	0,0073	L(m)	1,6	2,5	3,4	4,2	6	5,8
		m^3/h	83	125	167	208	250	292
800 mm	0,0116	L(m)	1,6	2,5	3,4	4,2	5	5,8
		m^3/h	166	250	334	416	500	584
	Vk	m/s	2	3	4	5	6	7
	pressure drop	Pa	8	15	26	40	55	70
	noise index	dB(A)	<20	22	32	37	44	48

Features air throw



Plenum dimensions and mounting system with fixing bridges



PLENUM EPLS 500 including 2 sleeve type A Ø 63mm
 PLENUM EPLS 800 including 3 sleeve type A Ø 63mm

Damper type C and sleeve type B Ø 75mm optional to be purchased separately.



Price list EDLSV paint black RAL9005 with slot 30 mm

Item normally available from stock		
length EDLSV	EDLSV euro	PLENUM INSULATED EPLS euro
500	51,93 ✓	85,08 ✓
800	59,71 ✓	98,91 ✓

Listino prezzi EDLSVB verniciato bianco RAL9016 con feritoia 30 mm

Item normally available from stock		
length EDLSVB	EDLSVB euro	PLENUM INSULATED EPLS euro
500	51,93 ✓	85,08 ✓
800	59,71 ✓	98,91 ✓

Price list accessories

Item normally available from stock		
------------------------------------	--	--

fixing bridge	euro
fixing bridge for EDLSV EDLSVB	11,89 ▾
Additional sleeve for tube Ø 75 mm inside in pack of 5 pieces	24,29 ▾
Adjustment damper for connection diameter 63mm or 75mm inside in pack of 5	14,56 ▾