

EVTD EVO ECOWATT Centrifugal fan for circular duct



Description

Circular duct fan, with external terminal box, removable casing and adjustable motor, 220-240V 50/60Hz, power supply. Extractable motor/fan.

Characteristics

790 / 5.000

Risultati della traduzione

Models with nominal diameter from 100 mm to 315 mm with installation on circular duct.

Compact, ruggedized white plastic enclosure. Low sound level.

Hermetic structure sealed between the main body and support bracket, to avoid air leaks. Rubber gaskets on the flanges to improve air tightness with the ducts.

Silent-block between the engine and the support to reduce vibrations and lower the noise generated.

EC brushless motors:

Speed adjustable to 100% by means of the potentiometer placed in the terminal board or by means of an external control type REB-ECOWATT. Remote control option via external 0-10V signal.

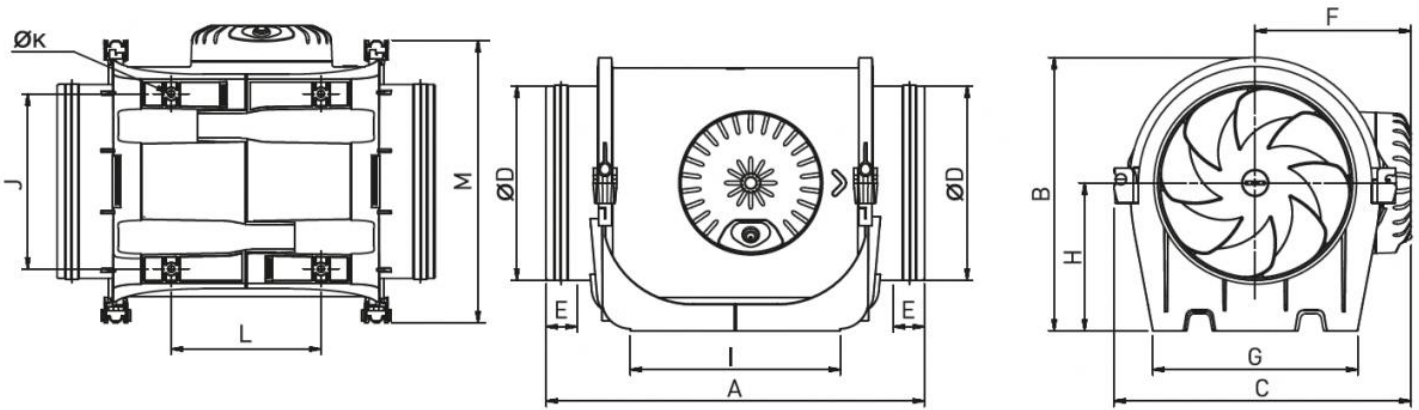
- Ball bearings and manual reset thermal protector.
- Working temperature: -20 / 40°C. Degree of protection IP44.

Use

On circular ducting up to \varnothing 315 mm. Maximum flow rate from 200 to 2650 m³ / h depending on the model. Static pressure up to 560 Pa.

Accessories on request

- Suction mouth net;
- Fitting for rectangular ducts;
- Non-return damper;
- Speed regulators.



Dimensions

all measurements are in mm

model	A	B	C	ØD	E	F	G	H	I	J	ØK	L	M
EVTD-EVO-ECOWATT 100	302	181	201	97	28,5	107	133	100	168	100	4,5	89	189
EVTD-EVO-ECOWATT 125	302	191	221	122,5	28,5	117	132	100	172	104,5	4,5	91	209
EVTD-EVO-ECOWATT 150	326	221	240	147	25	126	165	120	170	142	5,5	121	229
EVTD-EVO-ECOWATT 160	306	221	240	157	25	126	165	120	170	142	5,5	121	229
EVTD-EVO-ECOWATT200	346	238	263	197	28	137	190	124	211	161	5,5	161	253
EVTD-EVO-ECOWATT 250	390	289	306	247	40	159	230	155	231	194	7	182	295
EVTD-EVO-ECOWATT 315	485	353	371	312	40	192	278	188	317	242	7	206	358

Technical features

modello	Tensione di controllo	velocità r.p.m	Potenza Max ass.	Corrente Max ass.	Livello pressione sonora			Peso
			W	A	dB (A)			Kg
					Aspirazione	Irradiato	Scarico	
EVTD EVO ECOWATT 100	10	2250	9	0,1	32	18	31	1,65
	8	1940	7	0,1	28	14	28	
	6	1530	5	0,1	23	11	23	
	4	1120	3	0,1	16	10	16	
EVTD EVO ECOWATT 125	10	2250	14	0,1	35	20	37	1,75
	8	1930	10	0,1	32	16	34	
	6	1520	6	0,1	27	11	28	
	4	1100	4	0,1	20	10	21	
EVTD EVO ECOWATT 150	10	2650	38	0,3	44	30	45	2,05
	8	2240	24	0,2	40	26	41	
	6	1740	12	0,1	35	21	36	
	4	1250	6	0,1	27	14	28	
EVTD EVO ECOWATT 160	10	2650	37	0,3	44	29	46	2,05
	8	2250	24	0,2	41	25	42	
	6	1760	13	0,1	35	20	37	
	4	1250	6	0,1	28	12	29	
EVTD EVO ECOWATT 200	10	1630	75	0,6	46	30	48	3,4
	8	2250	50	0,4	43	27	45	
	6	1750	26	0,2	37	21	39	
	4	1260	12	0,1	30	14	32	
EVTD EVO ECOWATT 250	10	2640	141	0,9	49	36	50	4,95
	8	2270	94	0,6	46	32	47	
	6	1770	49	0,4	40	27	41	
	4	1280	22	0,2	33	20	34	
EVTD EVO ECOWATT 315	10	2640	225	1,5	57	41	55	7,5
	8	2280	145	1	54	38	52	
	6	1770	73	0,5	48	32	46	
	4	1280	33	0,3	41	25	39	

Aeraulic performances

modello	Tensione di controllo V	portata m ³ /h																	
		0 Pa	20 Pa	40 Pa	50 Pa	60 Pa	80 Pa	100 Pa	120 Pa	140 Pa	150 Pa	160 Pa	200 Pa	250 Pa	300 Pa	400 Pa	450 Pa	500 Pa	
EVTD EVO ECOWATT 100	10	190	175	165	135	120	40												
	8	170	135	115	90	35													
	6	130	85	20															
	4	90	15																
EVTD EVO ECOWATT 125	10	310	280	270	260	245	220	150	50	20									
	8	260	235	220	205	180	60	20											
	6	210	180	125	40														
	4	150	110																
EVTD EVO ECOWATT 150	10	560	550	525	515	505	480	460	425	380	360	330	110	30					
	8	480	460	430	420	405	360	330	240	90	70	60							
	6	360	340	300	270	245	80	40											
	4	260	220	100	25														
EVTD EVO ECOWATT 160	10	590	560	540	530	520	500	470	450	400	380	360	125						
	8	490	470	440	430	420	370	340	270	120	110	80							
	6	370	340	310	290	270	120	50											
	4	260	220	100	40														
EVTD EVO ECOWATT 200	10	850	840	810	805	800	780	760	725	710	690	680	600	190	50				
	8	740	720	790	780	775	640	610	575	520	505	470	115						
	6	570	545	510	490	485	400	350	100										
	4	400	350	290	260	80													
EVTD EVO ECOWATT 250	10	1380	1350	1320	1310	1300	1275	1250	1210	1200	1190	1180	1100	960	800	200			
	8	1180	1150	1115	1105	1100	1060	1050	1000	960	950	910	780	400	150				
	6	910	870	850	825	800	710	700	600	360	310	275							
	4	650	600	525	520	450	150												
EVTD EVO ECOWATT 315	10	1780	1750	1720	1700	1680	1630	1610	1580	1550	1540	1500	1450	1320	1180	600	320	190	
	8	1520	1490	1450	1420	1400	1380	1310	1300	1250	1240	1210	1080	900	500	100			
	6	1170	1150	1100	1060	1020	980	900	820	710	680	550	220	20					
	4	840	780	700	650	580	450	200	100										

Ease of installation and maintenance



To reverse the flow of air, simply rotate the central body by detaching it from the brackets. The rotation of the central body is also useful for positioning the terminal block in the best possible way, so as to obtain a better access position.

Price list

modello	ventilatore EVTD EVO ECOWATT	Regolatore di velocità	
		REB ECOWATT	
	euro	euro	
100	1154,63 ✓	183,05 ✓	
125	1176,24 ✓	183,05 ✓	
150	1285,25 ✓	183,05 ✓	
160	1292,94 ✓	183,05 ✓	
200	1484,59 ✓	183,05 ✓	
250	2182,63 ✓	183,05 ✓	
315	2374,64 ✓	183,05 ✓	

