

ESVE Ventilating boxes with 2070 m³/h



Description

Low sound level ventilating boxes for ventilation systems.

Characteristics

The ESVE box is composed of a self-supporting structure in galvanized sheet with internal insulation in sound-absorbing material. In the box there are 2 male circular connections with gasket to prevent leakage. The front panel with book opening allows easy maintenance and is removable in sizes 100-125. The fan installed inside the box complies with the Energy related products Eu rules and is of the radial type with forward blades for models 100-125-150-160-200 or radial with backward blades for models 250-315-350-400. The fan motor has an F insulation class and an IP54 protection degree. Power supply 230V / 1ph / 50Hz.

Maximum air flow temperature + 50 ° C.

use

Exhaust or intake air flow (pulled or slightly dusty air)

Flow rates from 100 to 2070 m³/h and static pressures up to 500 Pa.

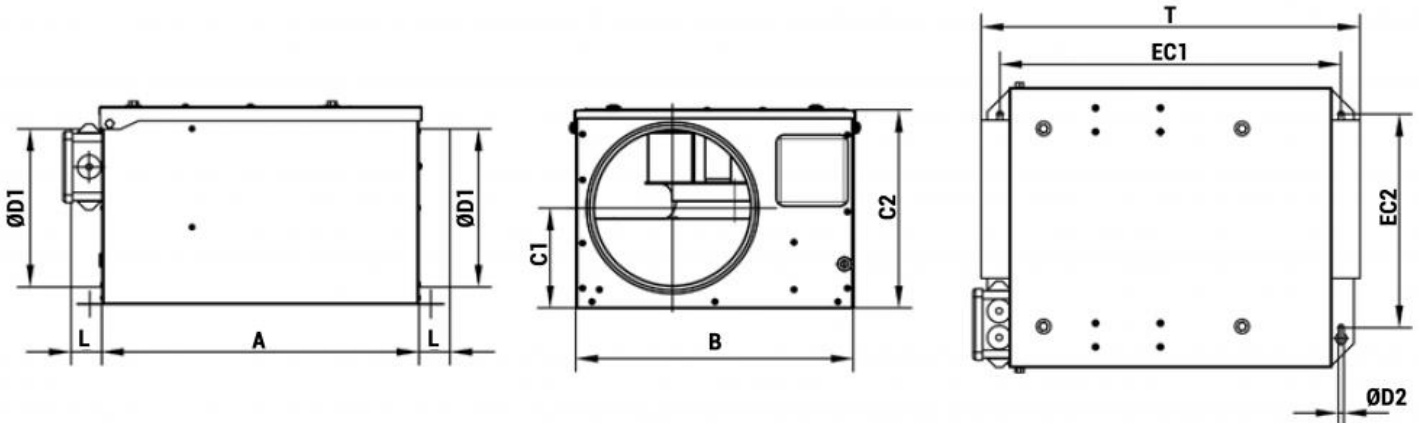
Control electronics

The fan speed can be adjusted by means of a dedicated RCS 300 speed variator.

Dimension

All dimensions are expressed in mm.

model	A	B	C1	C2	ØD1	L	ØD2	EC1	EC2	T	Kg
ESVE 100	300	265	82,5	180	100	36	7	330	205	372	9
ESVE 125	300	265	80,5	180	125	36	7	330	205	372	9,5
ESVE 150	300	260	100	195	150	40	7	330	190	380	12
ESVE 160	300	260	100	195	160	40	7	330	190	380	12
ESVE 200	400	350	127	250	200	40	7	430	270	480	16,5
ESVE 250	400	350	142	290	250	40	7	430	280	496	15
ESVE 315	515	480	175	355	315	48	7	545	405	610	23
ESVE 350	575	545	211,5	410	350	58	7	605	554	690	29,3
ESVE 400	650	610	230	455	400	74	7	680	520	800	33



Technical features

Data refer to nominal values declared by the fan manufacturer.

Model ESVE		100	125	150	160	200	250	315	350	400	
Fan type		Plug fan with forward curved blades					Plug fan with backward blades				
Number of fans	Nr	1					1				
Sound power level in free field at 1.5 m from the fan with the outlets ducted Lp	dB(A)	30	41	40	40	42	49	46	44	46	
Power supply	V / ph / Hz	230/1/50									
Max absorbed current	A	0,45	0,75	1,00	1,00	0,75	0,75	0,65	0,85	1,20	
Max absorbed power	W	100	180	250	250	180	180	140	200	300	

Air flow

model	Static Pressure Pa										
	50	100	150	200	250	300	350	400	500	600	
	Air flow rate m ³ /h										
ESVE 100	278	267	240	215	180	100					
ESVE 125	355	340	325	300	280	250	210	150			
ESVE 150	470	455	440	420	400	380	355	320	220		
ESVE 160	470	455	440	420	400	380	355	320	220		
ESVE 200	710	650	570	440							
ESVE 250	1050	970	885	800	700	620	520	420	220		
ESVE 315	1270	1150	1000	860	680	500	200				
ESVE 350	1650	1510	1390	1240	1100	930	730	500			
ESVE 400	2070	1950	1830	1700	1550	1390	1180	960			

Price list

Item normally available from stock		
modello	Euro	speed variator
		RCS 300
ESVE 100	526,56 ∨	104,40 ∨
ESVE 125	547,64 ∨	104,40 ∨
ESVE 150	748,52 ∨	104,40 ∨
ESVE 160	778,44 ∨	104,40 ∨
ESVE 200	810,44 ∨	104,40 ∨
ESVE 250	842,84 ∨	104,40 ∨
ESVE 315	1207,96 ∨	104,40 ∨
ESVE 350	1257,88 ∨	104,40 ∨
ESVE 400	1442,96 ∨	104,40 ∨