

# EBL3 20/0° Linear grilles with horizontal fixed bars with filter



## Description

Aluminium exhaust grilles with fixed horizontal blades with 0° deflection, with the insertion of a special profile or counter-frame that allows for a flat filter for coarse and fine dust to be housed.

## Characteristics

Material: aluminium.  
Finish: painted RAL9016.  
Filter: COARSE class (G2) thickness 12 mm.

## Installation

Installation is carried out by opening the special brackets in the counter-frame or, alternatively, by securing the latter to the wall or duct using screws.

## Use

For external or indoor air exhaust where dust pre-filtration is recommended.  
Initial pressure drop lower than 40 Pa with 1.5 m/s speed on the filter.

## Models

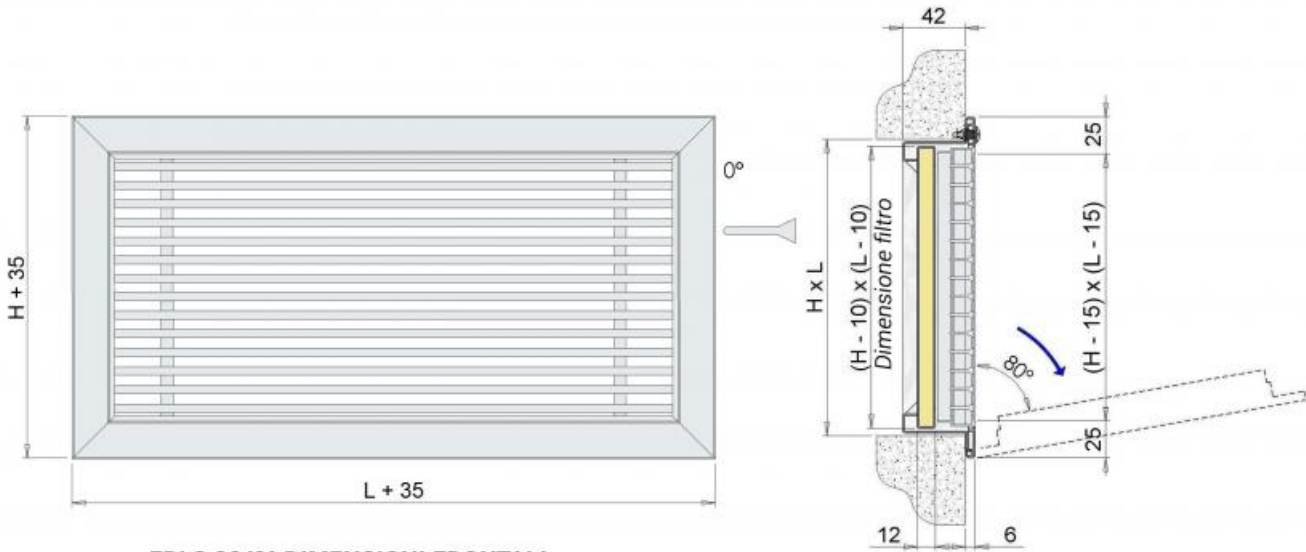
EBL3 20/0°: grille with special counter-frame secured with a hinge to the grille frame to allow for easy filter maintenance. Closing by means of a screw mechanism.

## Accessories

- EPZ galvanised plenum;
- EPI insulated plenum.

## On request

Fastening with magnet or knob.



**EBL3 20/0° DIMENSIONI FRONTALI**  
**FRONTAL DIMENSIONS EBL3 20/0°**

## Effective cross-section

All dimensions are expressed in mm.

H	L				
	400	500	600	800	1000
	effective cross-section of the grille m <sup>2</sup>				
150	0,031	0,039	0,047	0,064	0,080
200	0,042	0,053	0,064	0,086	0,108
300	0,063	0,079	0,097	0,130	0,164

## Operating data

m<sup>3</sup>/h: flow rate

Pa: pressure drops in Pascal

dB(A): noise level

V: face velocity on the filter (m/s)

An air velocity on the filter of 1.5 m/s is recommended to contain pressure drops and maintain filtration efficiency; the flow rate data in the table refers to the grille with the filter.

All dimensions are expressed in mm

H	V m/s	L				
		400	500	600	800	1000
	Face velocity on the filter	air flow rate m <sup>3</sup> /h				
150	1,5	324	405	486	648	810
	2	432	540	648	864	1080
200	1,5	400	505	605	810	1015
	2	535	670	805	1080	1355
300	1,5	610	765	925	1235	1550
	2	810	1025	1230	1650	2065

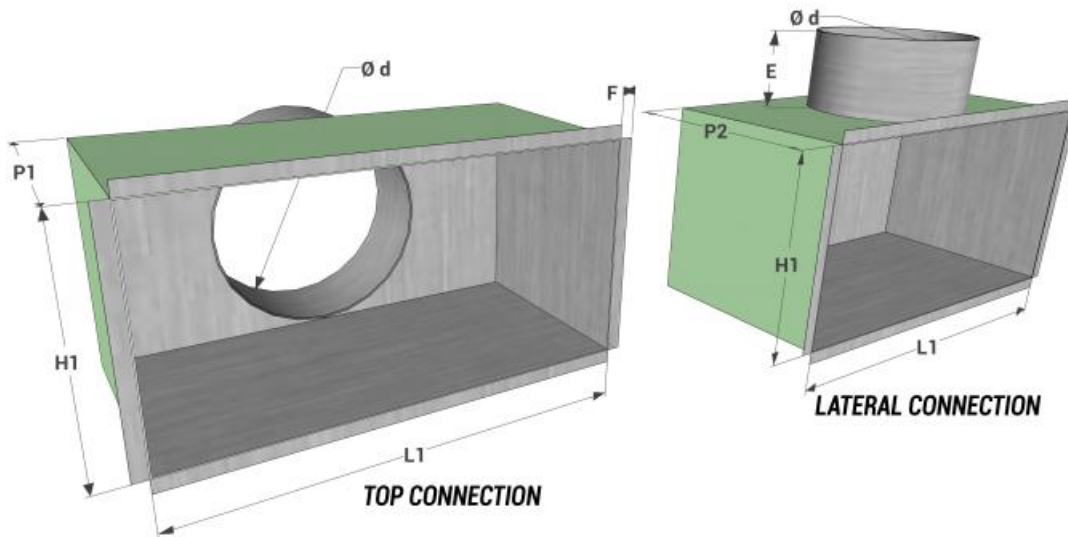
## Noise level dB(A)

V m/s		dB(A)
1,5		32/38
2		39/45

### Pressure drop (Pa)

V m/s		Pa
1,5		35/38
2		62/68

### Plenum box for EBL3 20/0°



model L1 x H1	top connection			lateral connection			E	F
	P1	no. connections	Ø d	P2	no. connections	Ø d		
400x150	200	1	148	250	1	148	80	12
500x150	200	2	148	250	2	148	80	12
600x150	200	2	148	250	2	148	80	12
800x150	200	2	148	250	2	148	80	12
1000x150	200	3	148	250	3	148	80	12
400x200	200	1	198	300	1	198	80	12
500x200	200	1	198	300	1	198	80	12
600x200	200	2	198	300	2	198	80	12
800x200	200	2	198	300	2	198	80	12
1000x200	200	2	198	300	2	198	80	12
400x300	200	1	248	350	1	248	80	12
500x300	200	1	248	350	1	248	80	12
600x300	200	2	198	350	2	248	80	12
800x300	200	2	248	350	2	248	80	12
1000x300	200	2	248	350	2	248	80	12

### Price list

Item normally available from stock						
dimensions	EBL3 20/0° painted white RAL9016	top connection		lateral connection		
		EPZ galvanized plenum	EPI isolated plenum	EPZ galvanized plenum	EPI isolated plenum	
LxH	euro	euro	euro	euro	euro	
400x150	117,63	37,58	51,76	40,04	55,07	
500x150	130,65	40,31	63,75	51,30	67,67	
600x150	134,48	51,07	67,37	54,45	71,90	
800x150	160,98	67,29	85,85	71,52	91,58	
1000x150	197,66	80,78	101,57	85,93	108,41	
400x200	135,35	40,12	54,95	45,50	62,18	
500x200	157,74	43,04	58,91	49,34	67,29	
600x200	156,37	59,99	78,09	71,98	92,00	
800x200	180,76	70,71	62,18	79,62	102,30	
1000x200	227,80	76,59	98,19	76,59	112,52	
400x300	171,42	55,34	71,90	64,75	84,54	
500x300	165,84	58,72	76,43	69,44	90,88	
600x300	189,44	69,52	88,69	77,59	99,53	
800x300	235,14	84,97	112,40	99,72	132,19	
1000x300	289,50	91,73	121,47	109,14	artDS1701232	