

EVTD ATEX Centrifugal fan for circular duct ATEX



Description

Low profile in-line mixed flow duct explosion proof fans. TD-800 Ex is manufactured in antistatic plastic material. The others models are manufactured from sheet steel protected with black polyester paint coating. Detachable fan unit without demounting duct connections.

Characteristics

Explosion proof versions in accordance with ATEX Directive, for single phase 230V-50Hz. Motors IP44, Class B.
 For ambient working temperatures from -20°C to +40°C.
 - ATEX Increased safety - Gas
 For model 800:
 IIG EExellIT3
 EC: LOM 08 ATEX 2052 X Supplement 2.
 For models 1100 and 1200:
 IIG EExellIT3 Gb
 EC: LOM 11 ATEX 2021 X Supplement 1.
 See data for selection, or refer to Easyvent.

Use

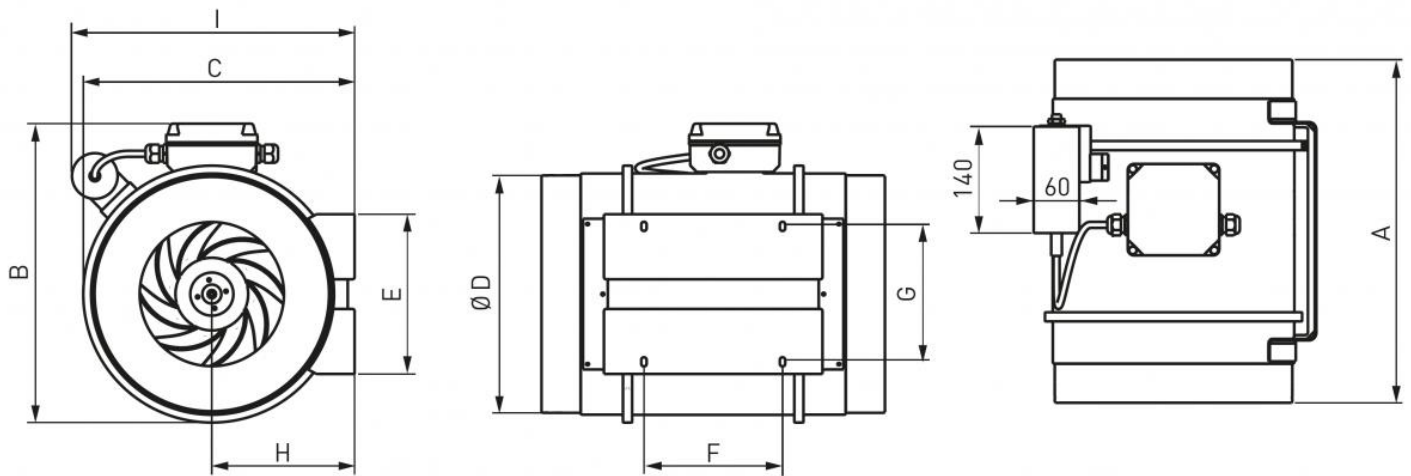
Adatto per l'estrazione di aria in atmosfere esplosive.

Accessories

- Fitting for rectangular duct .
- Security mesh.

Note

EVTD ATEX non può esser regolato da regolatore di velocità.



dimensions

all measurements are in mm.

model EVTD ATEX	A	B	C	ØD	E	F	G	H	I
EVTD 800/200-ATEX	302	255	232,5	198	140	100	94	124	275,6
EVTD 1100/250-ATEX	386	324	291	248	168	145	140	155	339
EVTD 1200/315-ATEX	450	392	356	312	210	182	178	188	371

Operating data

modello SILENT	velocità r.p.m.	Potenza Max ass.	Corrente Max ass.	Portata aria massima	Livello pressione sonora dB(A)			Ø Condotto
		W	A	m ³ /h	Aspirazione	Irradiato	Espulsione	mm
EVTD 800/200-ATEX	2450	120	0,50	1.020	53	43	55	200
EVTD 1100/250-ATEX	2630	197	0,81	1.130	59	46	65	250
EVTD 1200/315-ATEX	2600	170	0,71	1.320	56	44	59	315

Operating temperature and weight

modello EVTD ATEX	Temp. di esercizio °C	Peso Kg
EVTD 800/200-ATEX	-20/+40	5
EVTD 1100/250-ATEX	-20/+40	20
EVTD 1200/315-ATEX	-20/+40	25

model EVTD ATEX	Portata									
	0 Pa	40 Pa	80 Pa	100 Pa	150 Pa	200 Pa	250 Pa	350 Pa	400 Pa	500 Pa
EVTD 800/200-ATEX	1020	950	900	880	790	220				
EVTD 1100/250-ATEX	1130	1070	980	950	800	700	430	210	170	
EVTD 1200/315-ATEX	1300	1220	1150	1100	980	820	630	410	320	190

Price list

model	fan EVTD ATEX
	euro
EVTD 800/200-ATEX	2436,03 v
EVTD 1100/250-ATEX	2868,28 v
EVTD 1200/315-ATEX	3769,87 v