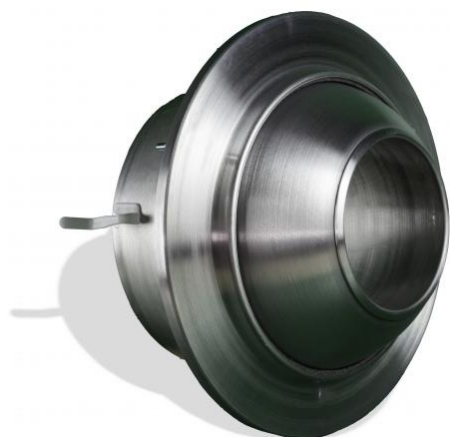


## EDU/F Long range nozzle diffusers with connection for circular or flexible duct

EDU/F Long range nozzle diffusers with screw cover and connection for flexible duct or rigid circular duct.



### Description

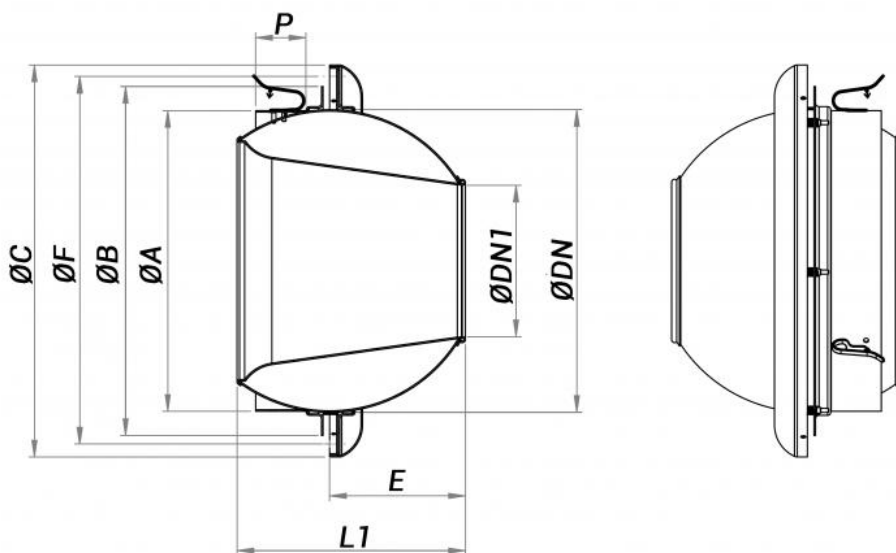
Long range aluminium diffusers, adjustable with a max. angle of 30°.

### Characteristics

Material: aluminium.  
Finish: anodised aluminium.  
Installation: con wall flange.  
Installation height between 3 m and 30 m depending on the model.

### Use

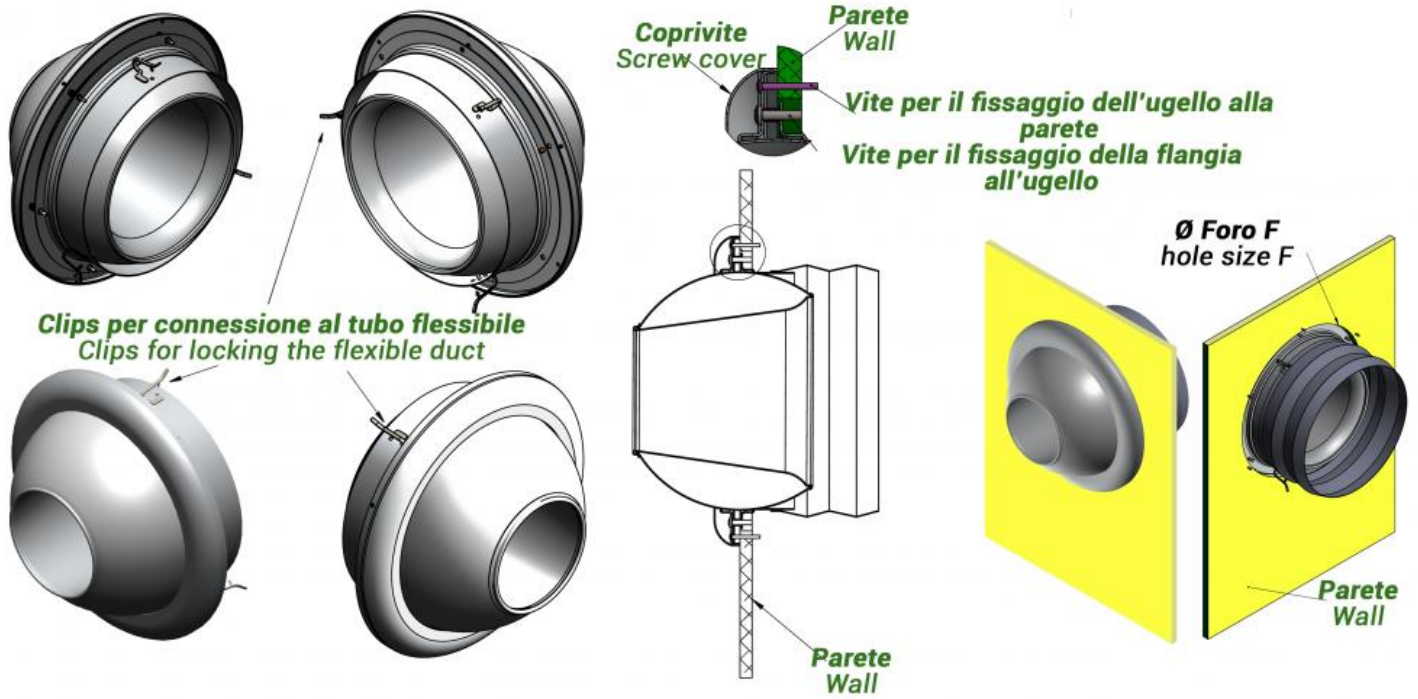
Rooms with very high ceilings or where a long and/or targeted air throw is needed.



### Dimensions

All dimensions are expressed in mm.

model	effective cross-section m <sup>2</sup>	Ø DN	Ø DN1	Ø A	Ø B	Ø C	Ø F	L1	E	P
40	0,0013	80	40	77	109	139	120	106	43	50
50	0,0020	100	50	97	132	169	148	114	51	50
80	0,0050	160	80	158	206	249	226	118	52	50
150	0,0177	300	150	298	346	389	366	220	128	50
200	0,0314	400	200	398	446	489	466	275	172	50
230	0,0415	400	230	398	446	489	466	265	160	50



### Operating data

Vk: effective speed (m/s)

m<sup>3</sup>/h: flow rate

Pa: pressure drops in Pascal

L(m): air throw in metres calculated on ceiling installation, terminal velocity 0.25 m/s

dB(A): noise level

model	Vk (m/s)	2	4	6	8	10
40	m <sup>3</sup> /h	9	18	28	37	46
	L(m)	2,3	4,5	7,0	9,2	11,5
	Pa	2	11	27	48,0	75
	dB(A)	<20	<20	<20	<20	20
50	m <sup>3</sup> /h	14	28	43	57	72
	L(m)	3,0	6,0	9,0	11,0	14
	Pa	2	10	25	44	72
	dB(A)	<20	<20	<20	<20	21
80	m <sup>3</sup> /h	36	72	108	135	168
	L(m)	5,0	9,0	14,0	17,0	21,0
	Pa	2	9	21	34	54
	dB(A)	<20	<20	20	21	23
150	m <sup>3</sup> /h	127	254	382	509	637
	L(m)	7,0	13,0	20,0	27,0	34,0
	Pa	2	8	19	34	55
	dB(A)	<20	<20	20	24	29
200	m <sup>3</sup> /h	226	452	678	904	1130
	L(m)	9,0	18	27	36,0	45
	Pa	2	8	18	32	51
	dB(A)	<20	<20	<20	23	28
230	m <sup>3</sup> /h	298	597	896	1195	1494
	L(m)	10,0	21,0	31,0	40,0	46,0
	Pa	2	7	17	31	50
	dB(A)	<20	<20	<20	22	27

### Price list

model	EDU/F nozzle
	euro
40	115,05 ∨
50	120,40 ∨
80	130,60 ∨
150	227,63 ∨
200	328,11 ∨
230	260,15 ∨