

ERVR Rectangular vav control unit in galvanised steel with servomotor



Description

These regulators are used to control and maintain the amount of air in VAV systems.

Notes

For correct pressure readings and for a flow rate tolerance of 5%, a straight duct with the same size as the regulator and 2/3 times the size of the base must be provided upstream. Otherwise, the air flow rate may vary between 10% and 20% from the calibrated value.

Characteristics

- Galvanised steel sheet casing;
- Dynamic Δp probe to measure and maintain the air flow rate according to the room demand;
- Flow regulator supplied with Belimo LMV-D3MP motor.
- Galvanised steel airtight regulation damper with lateral and longitudinal gaskets;
- Operating range between 20 and 1000 Pa;
- Flow rate adjustment and control by means of a linearised motor controller;
- Self-generated and radiated noise tests according to the UNI EN 25135 and ISO 3741 Standards.

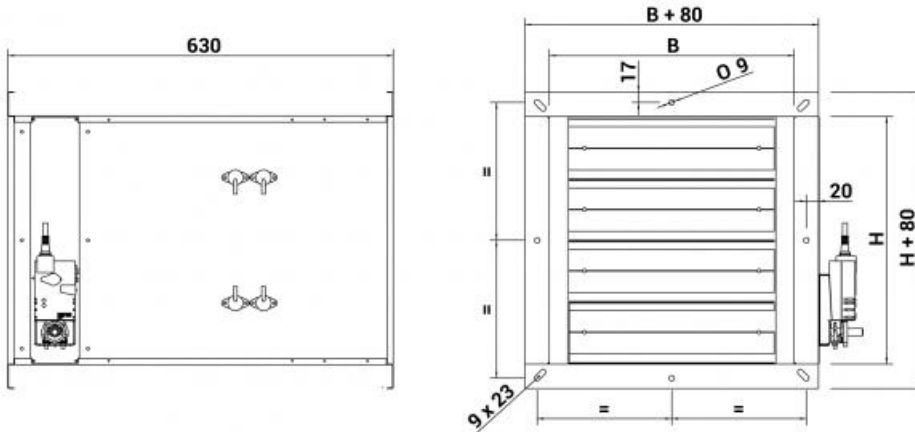
Models

- ERVR single casing.
- ERVR-I double casing.

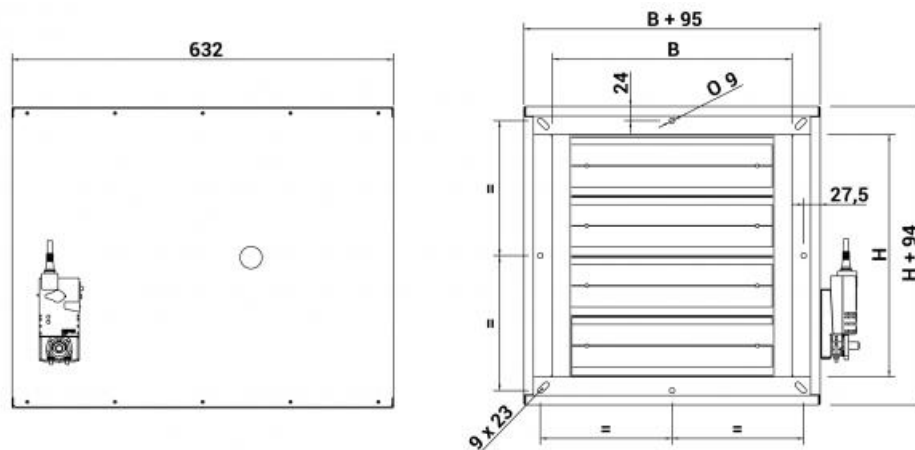
On demand

- VAV-Compact, AC/DC 24 V, Bacnet MS/TP, Modbus RTU, MP-Bus, IP54 LMV-D3-MOD (5Nm)
- VAV-Compact, AC/DC 24 V, KNX (S-Mode), IP54 LMV-D3-KNX (5Nm)
- Intermediate dimensions.

Simple casing diagram



Double casing diagram



Operating data and price list:

When ordering, indicate the minimum and maximum air flow rates to be programmed.

Model		Minimum air flow rate	Maximum air flow rate	ERVR single casing, Control signal 2...10V	ERVR single casing, Control signal 0...10V	ERVR-I double casing, Control signal 2...10V	ERVR-I double casing, Control signal 0...10V
B mm	H mm	m ³ /h	m ³ /h	euro	euro	euro	euro
200	110	160	790	613,72 ▼	613,72 ▼	710,15 ▼	710,15 ▼
400	110	315	1580	662,23 ▼	662,23 ▼	778,06 ▼	778,06 ▼
600	110	475	2375	710,73 ▼	710,73 ▼	845,96 ▼	845,96 ▼
400	210	605	3040	705,83 ▼	705,83 ▼	839,10 ▼	839,10 ▼
600	210	905	4540	758,50 ▼	758,50 ▼	912,84 ▼	912,84 ▼
800	210	1210	6040	807,40 ▼	807,40 ▼	981,29 ▼	981,29 ▼
600	310	1340	6710	804,53 ▼	804,53 ▼	977,29 ▼	977,29 ▼
800	310	1785	8915	857,58 ▼	857,58 ▼	1051,55 ▼	1051,55 ▼
1000	310	2230	11160	908,59 ▼	908,59 ▼	1122,97 ▼	1122,97 ▼
600	410	1770	8875	850,58 ▼	850,58 ▼	1041,75 ▼	1041,75 ▼
800	410	2360	11790	907,77 ▼	907,77 ▼	1121,82 ▼	1121,82 ▼
1000	410	2950	14750	978,16 ▼	978,16 ▼	1220,35 ▼	1220,35 ▼