

ERPR Constant air flow regulators for rectangular duct



Description

Flow rate regulators for rectangular ducts on systems with constant flow rate. Automatic mechanical operation, without auxiliary energy to keep the air flow rate constant.

Characteristics

Material: galvanised steel.
Finish: galvanised.
Operating temperature: $-30^{\circ} +100^{\circ}\text{C}$.
Installation: on rectangular duct.

Use

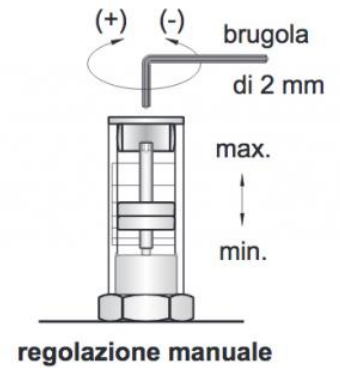
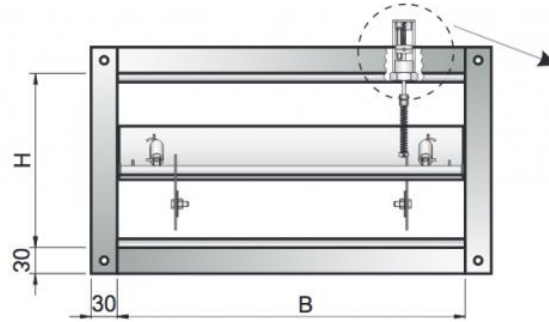
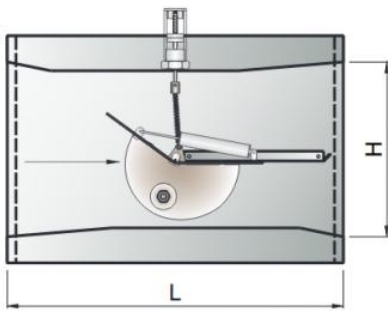
In all ventilation systems, to keep the air flow rate constant.

Notes

Air flow rate within a differential pressure range between 70 and 1000 Pa. Minimum speed 2 m/s. The accuracy of the air flow is $\pm 5\text{-}10\%$, depending on the speed and conditions of use. All regulators are calibrated at the factory according to the flow rate value required by the customer. Maintenance free.

On request

Version with servomotor.
For ventilation, air conditioning and heating systems where variable adjustment is required by electrical operation with proportional control and with an operating voltage of 24Vac - 50 Hz.



Operating data and Price list

all dimensions are expressed in mm

B	H	L	Air flow rate	flow regulator ERPR
			m ³ /h	euro
200	100	220	200-350	515,05
			300-600	515,05
300	100	220	200-400	536,14
			300-600	536,14
			400-800	536,14
400	100	220	300-600	557,22
			500-1100	557,22
150	150	220	200-250	545,17
			250-350	545,17
			300-500	545,17
			400-700	545,17
300	150	220	400-800	545,17
			700-1200	545,17
			1300-1500	545,17
200	200	220	400-650	545,17
			600-1000	545,17
300	200	220	500-1100	545,17
			1000-1700	545,17
			1500-2000	545,17
400	200	385	600-900	584,33
			800-1500	584,33
			1400-2200	584,33
			2100-2800	584,33
300	300	385	1500-2200	629,51
			2000-3000	629,51
450	300	385	1000-1700	653,60
			1500-2500	653,60
			2000-4200	653,60
			3500-4500	653,60
600	300	385	1500-3000	659,63
			2500-4500	659,63
			4500-6500	659,63