

# ERPC Constant air flow regulators for circular duct



### Description

Flow rate regulators for circular ducts on systems with constant flow rate. Automatic mechanical operation, without auxiliary energy to keep the air flow rate constant within a differential pressure range.

### Use

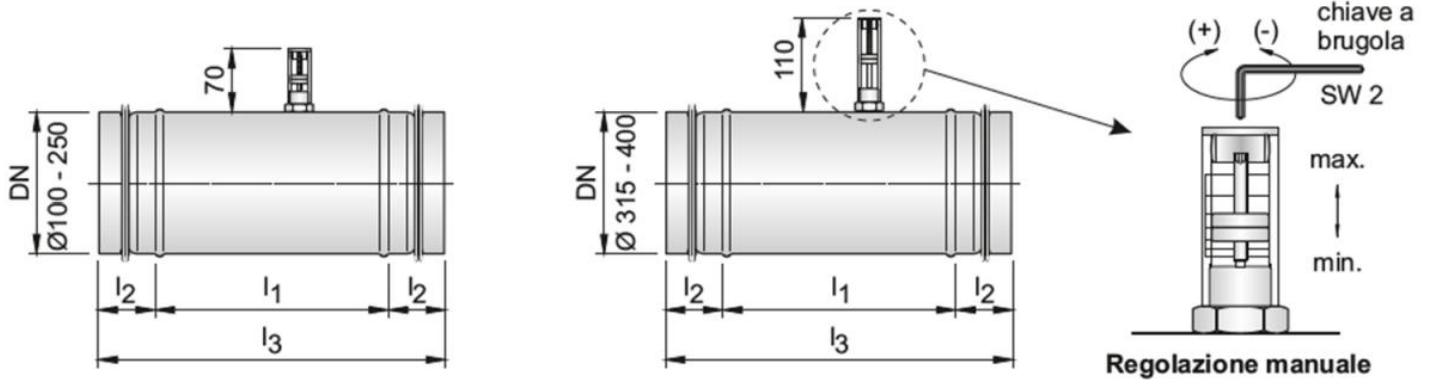
In all ventilation systems to keep the air flow rate constant, regardless of the pressure system used and of the pressure variations within the permissible range.

### Characteristics

Material: galvanised steel.  
Finish: galvanised.  
Operating temperature: -20° +100°C.  
Installation: on circular duct.

### Notes

Air flow rate within a differential pressure range between 40 and 600 Pa (1000 for some models). The accuracy of the air flow is  $\pm 5-10\%$ , depending on the speed and conditions of use. The regulators can be calibrated on site directly in the finished system by means of the regulating device. Maintenance free.



### Operating data and list prices

all dimensions are expressed in mm

Item normally available from stock

diameter DN	Air flow rate (m <sup>3</sup> /h)		Dimensions (mm)			euro
	min	max	l <sub>1</sub>	l <sub>2</sub>	l <sub>3</sub>	
100	70	220	165	40	245	147,59 v
125	100	280	165	40	245	159,64 v
140	150	400	165	40	245	162,65 v
160	180	500	235	40	315	165,66 v
200	250	900	235	40	315	177,71 v
250	500	1600	235	40	315	195,78 v
315	800	2800	235	60	345	283,13 v
400	1000	4000	295	60	415	403,61 v