

EGQS Egg crate grilles with frame 15 mm

Description

Aluminium exhaust grilles with 15 mm frame and 13x13 mm pitch.

Characteristics

Material: aluminium.
Finish: natural anodised.
Installation: fastening to wall with magnet.

Use

For air exhaust.
Its nice design and large effective cross-section make it ideal for civil installations.

Accessories

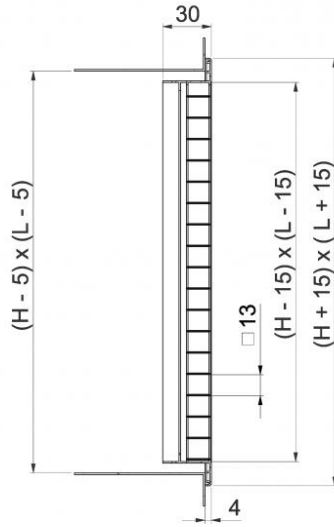
- EPZS galvanised plenum;
- EPIS insulated plenum;
- SC galvanised steel regulation damper with blades with opposing movement.

Special versions

- False ceiling version 595x595 mm (external frame).

On request

- White RAL 9016 painting or other RAL colours.



Effective cross-section

H	L				
	200	300	400	500	600
	effective cross-section m ²				
100	0,014	0,020	0,026	0,035	0,044
150	0,022	0,032	0,045	0,058	0,070
200	0,030	0,046	0,058	0,076	0,092
300	0,046	0,070	0,092	0,126	0,156
400	0,058	0,092	0,130	0,170	0,210
500	0,076	0,126	0,170	0,205	0,258
600	0,092	0,156	0,210	0,258	0,328

Operating data

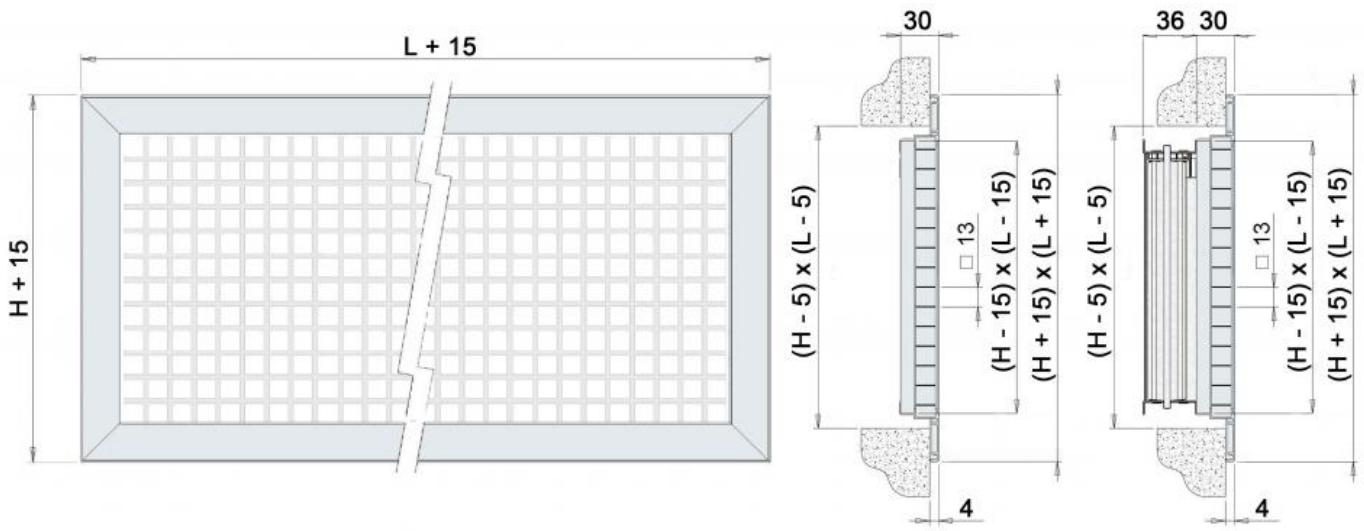
Vk: effective speed (m/s)
m³/h: flow rate
Pa: pressure drops in Pascal
dB(A): noise level

L: base
H: height
All dimensions are expressed in mm

H	Vk m/s	L					Pa	dB(A)
		200	300	400	500	600		
		flow rate m ³ /h						
100	1	50	72	94	126	158	5	>20
	3	150	216	280	378	475	12	28/32
	5	250	360	282	630	790	20	35/40
150	1	80	115	162	209	252	5	>20
	3	240	345	486	627	756	12	28/32
	5	400	575	810	1045	1260	20	35/40
200	1	108	166	209	274	330	5	>20
	3	234	498	627	822	990	12	24/26
	5	540	830	1045	1370	1650	20	35/40
300	1	166	252	330	454	560	5	>20
	3	498	756	990	1362	1680	12	24/26
	5	830	1260	1650	2270	2800	20	35/40
400	1	209	330	468	612	756	5	>20
	3	627	990	1404	1836	2268	12	24/26
	5	1045	1650	2340	3060	3780	20	35/40
500	1	274	454	612	742	930	5	>20
	3	822	1362	1836	2226	2790	12	24/26
	5	1370	2270	3060	3710	4650	20	35/40
600	1	330	560	756	930	1180	5	>20
	3	990	1680	2268	2790	3540	12	24/26
	5	1650	2800	3780	4650	5900	20	35/40

Configuration

All measurements are expressed in mm.

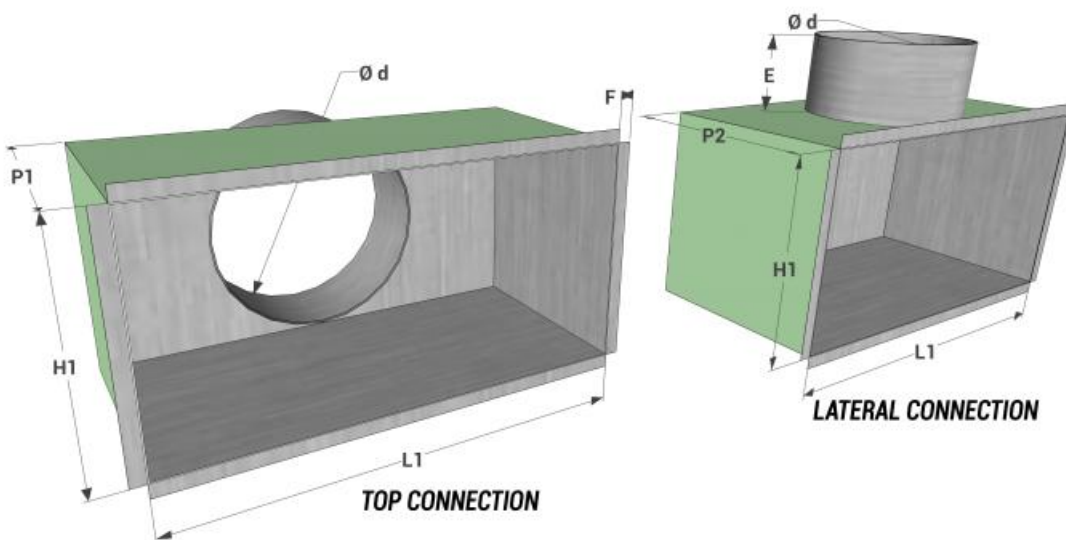


SC regulation damper

Galvanised steel regulation damper with blades with opposing movement.



Plenum



model EGQS		dimensions		top connection			lateral connection			E	F	model EGQS		dimensions		top connection			lateral connection			E	F
L x H	L1 x H1	P1	no. connections	Ø d	P2	no. connections	Ø d	P1	no. connections			Ø d	P2	no. connections	Ø d	P1	no. connections	Ø d	P2	no. connections	Ø d		
200x100	195x95	200	1	95	200	1	95	80	8	500x200	495x195	200	2	195	300	2	195	300	2	195	80	8	
300x100	295x95	200	1	95	200	1	95	80	8	600x200	595x195	200	2	195	300	2	195	300	2	195	80	8	
400x100	395x95	200	2	95	200	2	95	80	8	300x300	295x295	200	1	195	300	1	195	300	1	195	80	8	
500x100	495x95	200	2	95	200	2	95	80	8	400x300	395x195	200	1	245	300	1	195	300	1	195	80	8	
600x100	595x95	200	2	95	200	2	95	80	8	500x300	495x295	200	1	245	350	1	245	350	1	245	80	8	
200x150	195x145	200	1	145	250	1	145	80	8	600x300	595x295	200	2	195	300	2	195	300	2	195	80	8	
300x150	295x145	200	1	145	250	1	145	80	8	400x400	395x395	200	1	295	400	1	295	400	1	295	80	8	
400x150	395x145	200	1	145	250	1	145	80	8	500x400	495x395	200	1	295	400	1	295	400	1	295	80	8	
500x150	495x145	200	2	145	250	2	145	80	8	600x400	595x395	200	2	245	350	2	245	350	2	245	80	8	
600x150	595x145	200	2	145	250	2	145	80	8	500x500	495x495	200	1	345	450	1	345	450	1	345	80	8	
200x200	195x195	200	1	145	260	1	145	80	8	580x580	575x575	200	2	245	350	2	245	350	2	245	80	8	
300x200	295x195	200	1	195	260	1	145	80	8	600x500	595x495	200	2	245	350	2	245	350	2	245	80	8	
400x200	395x195	200	1	195	300	1	195	80	8	600x600	595x595	200	1	245	450	1	345	450	1	345	80	8	

Price list

Notes:

- painted white RAL 9016 + 20%

EGQS grille						
H	L					
	200	300	400	500	600	
	euro	euro	euro	euro	euro	
100	16,50	18,96	21,46	27,29	31,39	
150	19,79	23,89	28,89	34,64	40,46	
200	23,11	29,71	37,11	43,79	49,50	
300	29,71	39,61	49,50	56,11	68,50	
400	37,11	49,50	61,89	73,43	86,68	
500	43,79	56,11	73,43	89,14	108,11	
600	49,50	68,50	86,68	108,11	123,79	

Item normally available from stock

SC damper						
H	L					
	200	300	400	500	600	
	euro	euro	euro	euro	euro	
100	13,21	14,39	17,21	20,54	23,50	
150	14,57	16,86	19,86	23,00	26,21	
200	15,96	22,39	24,57	28,86	33,25	
300	22,39	27,79	34,39	37,86	41,39	
400	24,57	34,39	39,39	47,57	51,14	
500	28,86	37,86	47,57	61,21	63,82	
600	33,25	41,39	51,14	63,82	76,00	

model EGQS	dimensions	top connection		lateral connection		modello EGQS	dimensioni	top connection		lateral connection	
		EPZS galvanised plenum	EPIS insulated plenum	EPZS galvanised plenum	EPIS insulated plenum			EPZS galvanised plenum	EPIS insulated plenum	EPZS galvanised plenum	EPIS insulated plenum
L x H	L1 x H1	euro	euro	euro	euro	L x H	L1 x H1	euro	euro	euro	euro
200x100	195x95	29,94	41,70	29,94	41,70	500x200	495x195	50,07	66,10	55,07	67,29
300x100	295x95	32,40	44,96	32,40	44,96	600x200	595x195	63,10	80,51	69,40	88,54
400x100	395x95	42,12	55,80	42,12	55,80	300x300	295x295	40,35	55,38	44,39	60,76
500x100	495x95	44,58	59,14	44,58	59,14	400x300	395x195	55,07	71,59	60,56	78,70
600x100	595x95	47,04	62,45	47,04	62,45	500x300	495x295	58,41	76,05	67,17	87,43
200x150	195x145	32,01	44,27	35,20	48,65	600x300	595x295	68,40	87,43	75,24	96,19
300x150	295x145	34,70	47,88	37,78	52,61	400x400	395x395	58,41	77,70	69,63	96,96
400x150	395x145	37,39	51,46	41,12	56,57	500x400	495x395	67,63	82,78	76,59	104,45
500x150	495x145	47,31	62,60	52,03	68,79	600x400	595x395	81,78	108,29	94,03	119,13
600x150	595x145	50,00	66,17	54,99	72,75	500x500	495x495	80,16	100,38	93,88	134,23
200x200	195x195	33,47	46,19	36,81	50,80	580x580	575x575	80,16	108,37	92,15	124,62
300x200	295x195	37,01	50,73	40,70	55,80	600x500	595x495	86,43	114,59	99,38	130,89
400x200	395x195	39,89	54,65	43,85	60,06	600x600	595x595	102,68	135,69	118,05	173,39