

DUCT Duct sanitizing module



Description

JONIX duct is a cold plasma technology device for sanitizing, decontaminating and purifying the internal surfaces of the distribution pipes and the air that flows through them.

Designed to be easily installed in all kinds of ductwork where it is necessary to prevent or eliminate the formation of bacterial colonies on the surfaces of the ducts or of airborne ones.

JONIX duct is simple and essential. Consistent with an integrated management of the facilities, control and functions of the device can be managed remotely.

Features

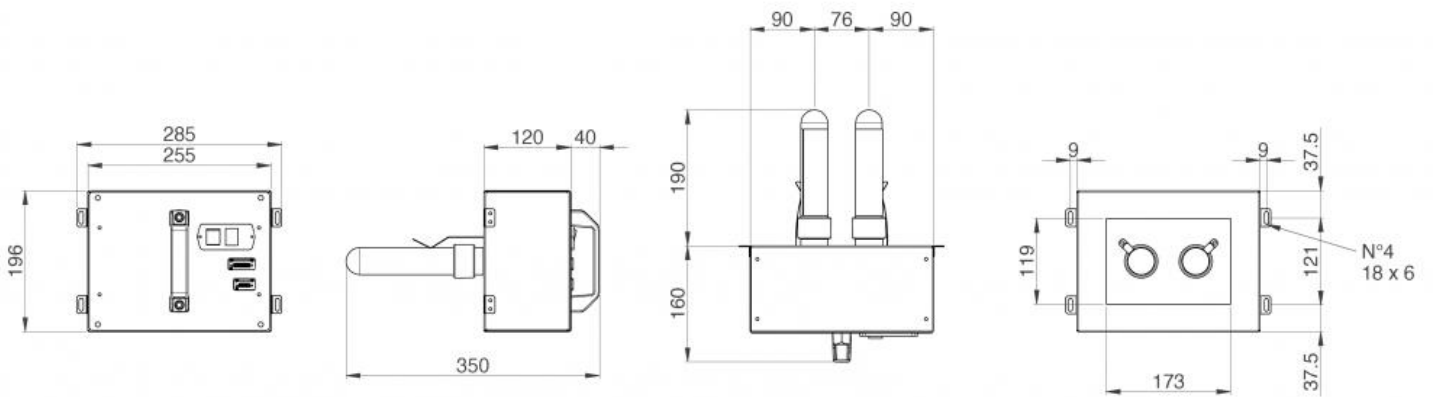
The most significant features of JONIX duct are:

- high efficiency: reduction of bioburden and of volatile organic compounds up to 99% compared to the initial concentration;
- low power consumption: from 20 to 40 VA;
- strong deodorizing action: it eliminates odours from the air flowing through;
- natural process: it does not use nor produces residual chemical substances.

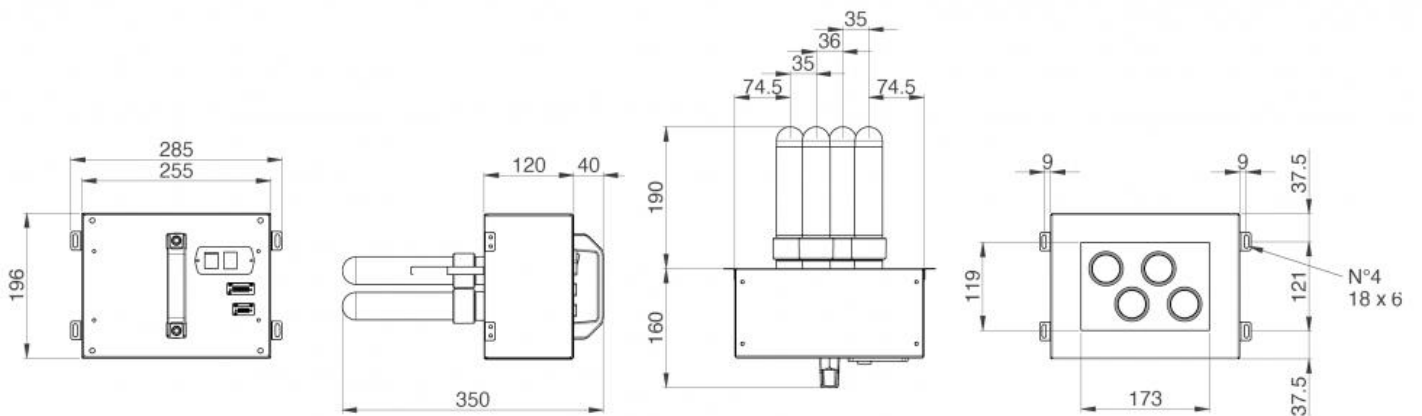
Models

- JONIX duct 70MIC2C: air flow up to 500 m³/h.
- JONIX duct 70MIC4C: air flow up to 1000 m³/h.
- JONIX duct 70MIC2F: air flow up to 2000 m³/h.
- JONIX duct 70MIC4F: air flow up to 4000 m³/h.

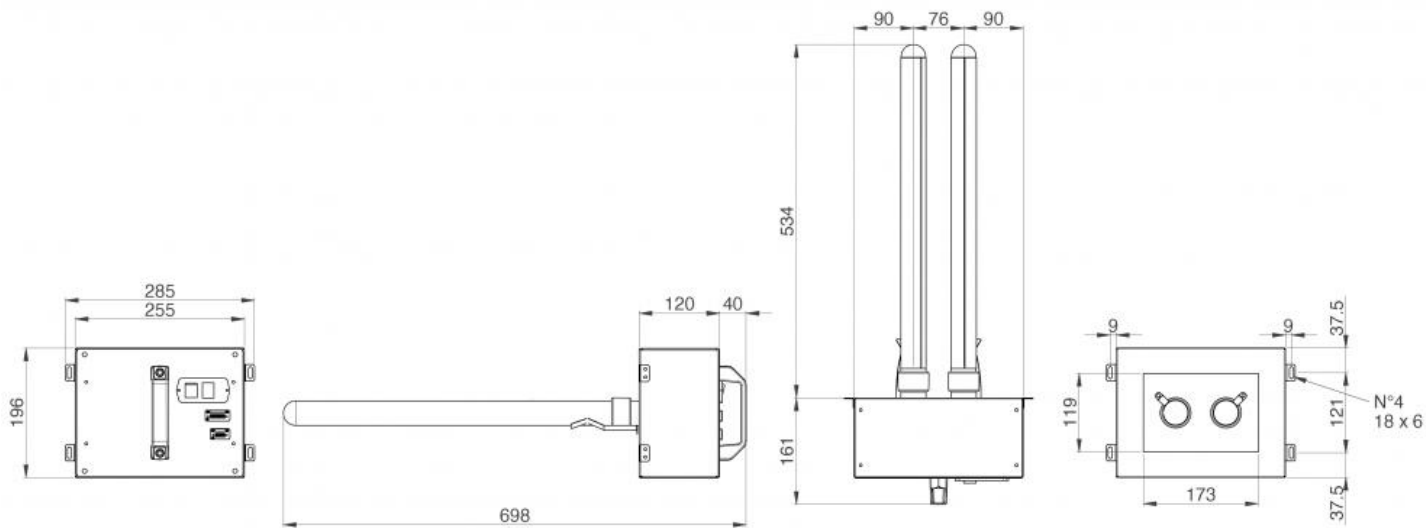
Dimension JONIX duct 70MIC2C:



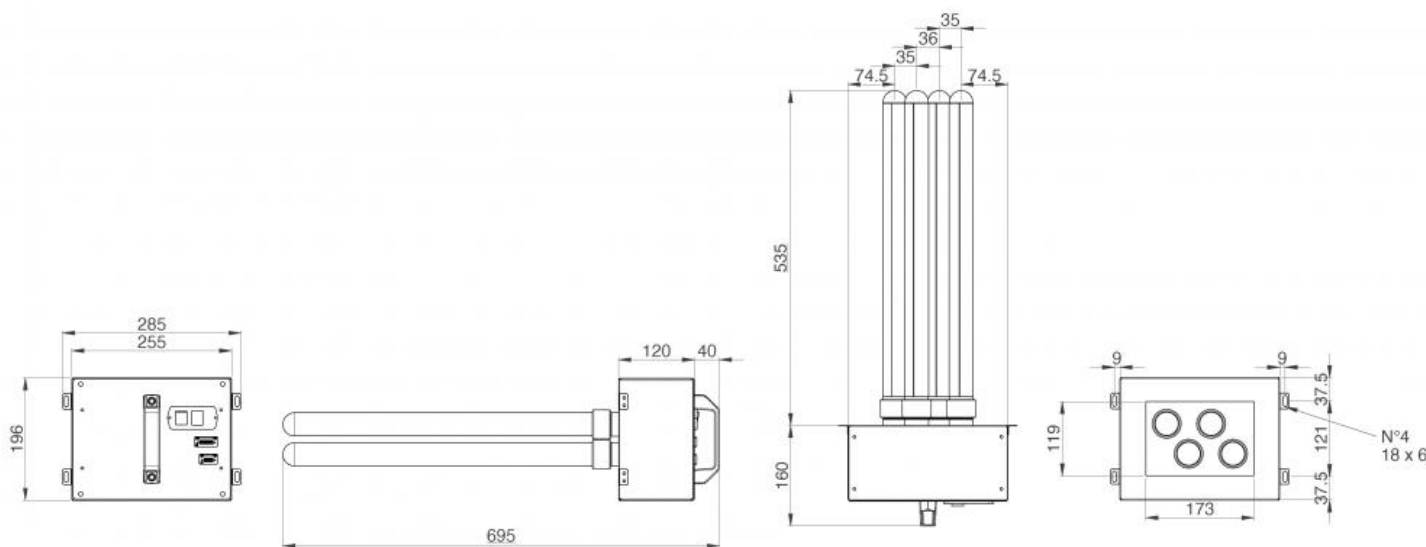
Dimension JONIX duct 70MIC4C:



Dimension JONIX duct 70MIC2F:



Dimension JONIX duct 70MIC4F:



Technical features:

*: The different models can be assembled to form a unit consisting of one version only; it is also possible to create a unit consisting of a combination of different versions to match the volume of the air to be treated.

Model*	JONIX duct 70MIC2C	JONIX duct 70MIC4C	JONIX duct 70MIC2F	JONIX duct 70MIC4F
Plasma generators	2 x type 175	4 x type 175	2 x type 520	4 x type 520
Generators replacement	Every 14000 hours			
Generators maintenance	Every 4000 hours			
Built-in control electronics	The status of the device can be remotely displayed			
Air flow (m ³ /h)	500	1000	2000	4000
Dimensions (mm)	290 x 350 x 200	290 x 350 x 200	290 x 700 x 200	290 x 700 x 200
Weight (kg)	4	5	5	6
Power supply	230 V / ~1 / 50 Hz			
Maximum absorbed power (W)	20	20	20	40

Price list:

Model	Description	Euro
duct 70MIC2C	Device for sanitizing the air and internal surfaces of the ducts for a flow rate up to 500 m ³ /h	a.r. v
duct 70MIC4C	Device for sanitizing the air and internal surfaces of the ducts for a flow rate up to 1000 m ³ /h	a.r. v
duct 70MIC2F	Device for sanitizing the air and internal surfaces of the ducts for a flow rate up to 2000 m ³ /h	a.r. v
duct 70MIC4F	Device for sanitizing the air and internal surfaces of the ducts for a flow rate up to 4000 m ³ /h	a.r. v