

AERCASE Sanitization and air decontamination module with circular connections



Description

AERCASE is an advanced sanitization system that uses the physical phenomenon of ionization to promote and controlled formation of particular electrically charged species in the air through an electrostatic field. The ionic species produced are particularly effective as sanitizing agents in air and on surfaces. AERBOX consists of the AERCASE sanitization module and a STAINLESS STEEL plenum box, with circular inlet and outlet connections. The two available models are distinguished by the size of the male inlet and outlet connection both 125 mm or 160 mm in diameter.

AERCASE can be installed in any ventilation system and is designed for the air purification and decontamination from viruses, mold, bacteria, pollen as well as fumes and odors.

The module is very efficacious to prevent or eliminate the formation of bacterial colonies and moulds in air ducts.

AERCASE sanitizes air and surfaces constantly, without negative effects on materials, eliminates odours and improves environmental comfort. In the workplace it guarantees the healthiness of the air as required by the regulations for the safety of workers. DL.81/2008.

Characteristics

The outstanding features of AERCASE are:

- high efficiency: reduction of viral, microbial and volatile organic compounds up to 99 %;
- low energy consumption: 20VA;
- strong deodorising action: eliminates odours from the air in circulation;
- natural treatment: does not use or produce residual chemicals.

The sanitization module consists of the ionizing units placed in the air flow, and a control electronics, contained within an insulating casing.

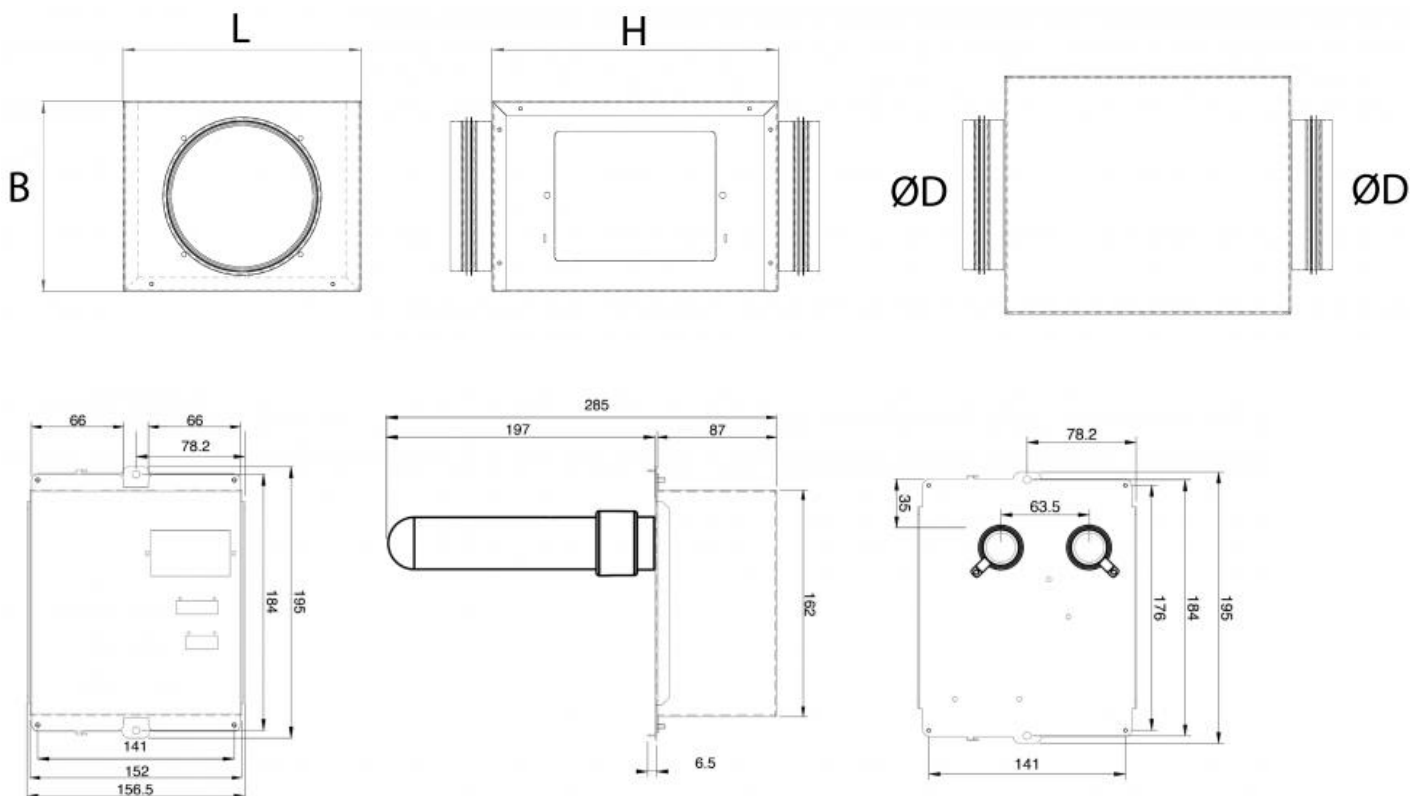
The electronics in the module is designed to send output signals useful to signal maintenance warnings and possible anomalies.

There is the RS485 serial interface with Modbus protocol for querying and programming the main parameters and for remote diagnostic.

Use

The AERCASE module can be used in any type of Controlled Mechanical Ventilation system with an air flow rate until 500m³/h, for example: in supply air flow, or controlled through the RS485 serial communication.

Dimensions:



Price list box AERCASE

Item normally available from stock			
model	nominal dimensions	main connection ØD nominal(male)	price
	mm	mm	
	L x H x B	mm	euro
AERCASE-125	250 x 300 x 200	125	1500,00 ✓
AERCASE-160	250 x 300 x 200	160	1500,00 ✓

Ionizing tubes kit:

Item normally available from stock	
Description	Euro
Ionizing tubes kit for AERCASE	a.r. v