

ECPF-L High efficiency terminal filter class L1



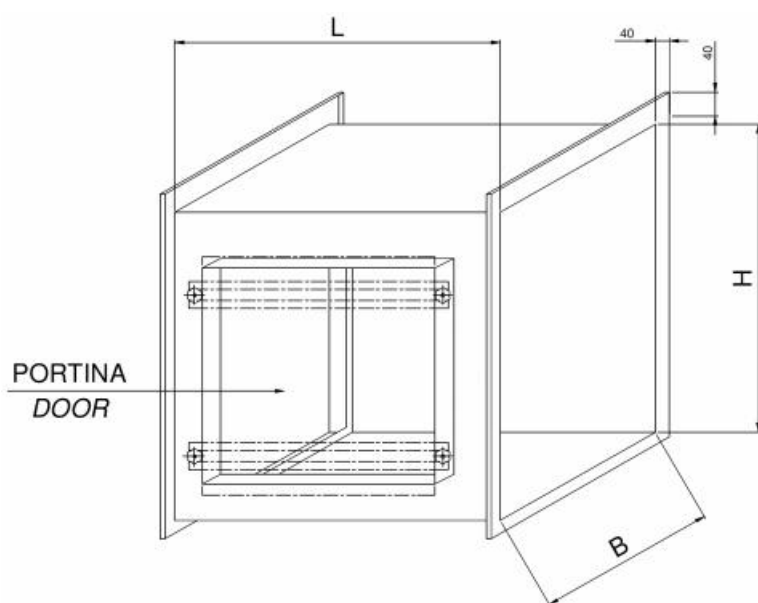
Descrizione

Filter box for duct installation with 2 filtration stages.
Possibility to install an EFPO filter or an EFTR rigid bag filter or both inside EFPO+EFTR.

Features

Housing in galvanised steel, thickness 1,0 mm.
Pressure measurement points.
Special fixing system with variable position in function of filtration steps.
Inspection door.
Leakage test in according to EN 1886 2006.

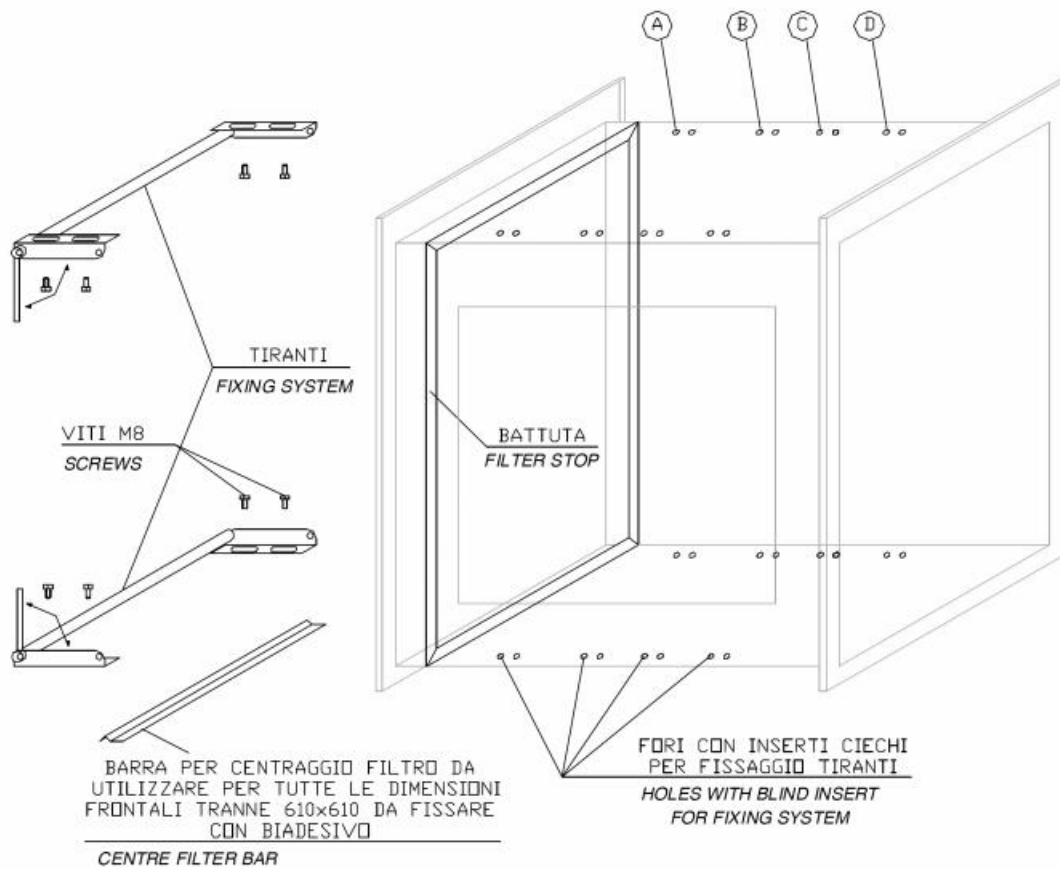
Dimensions



Modello	Dimensioni			EFPO Filtro ondulato COARSE	EFTR filtro a tasche rigide
	B	H	L		
ECPF-L 1	309	614	650	Nr 1 592x287x48	Nr 1 592x287x292
ECPF-L 2	614	614	650	Nr 1 592x592x48	Nr 1 592x592x292
ECPF-L 3	920	614	650	Nr 1 592x287x48 Nr 1 592x592x48	Nr 1 592x287x292 Nr 1 592x592x292
ECPF-L 4	1225	614	650	Nr 2 592x592x48	Nr 2 592x592x292
ECPF-L 5	1625	614	650	Nr 2 592x592x48 Nr 1 592x287x48	Nr 2 592x592x292 Nr 1 592x287x292

Fixing system

POSITION	FILTERS THICKNESS
A	25 [mm]
	48 [mm]
	25+48 [mm]
B	150 [mm]
	197 [mm]
C	292 [mm]
D	397 [mm]



Price list

Item normally available from stock							
Modello	Euro	EFPO Filtro ondulato COARSE		Dimensione	EFTR filtro a tasche rigide		
		Dimensione	Euro/cad		ePM1 60% (F7)	ePM1 70% (F8)	ePM1 80% (F9)
					Euro/cad	Euro/cad	Euro/cad
ECPF-L 1	553,65	Nr 1 592x287x48	14,48	Nr 1 592x287x292	95,40	95,40	95,40
ECPF-L 2	577,01	Nr 1 592x592x48	20,23	Nr 1 592x592x292	142,12	142,12	142,12
ECPF-L 3	664,56	Nr 1 592x287x48	14,48	Nr 1 592x287x292	95,40	95,40	95,40
		Nr 1 592x592x48	20,23	Nr 1 592x592x292	142,12	142,12	142,12
ECPF-L 4	755,28	Nr 2 592x592x48	20,23	Nr 2 592x592x292	142,12	142,12	142,12
ECPF-L 5	904,14	Nr 1 592x287x48	14,48	Nr 1 592x287x292	95,40	95,40	95,40
		Nr 2 592x592x48	20,23	Nr 2 592x592x292	142,12	142,12	142,12