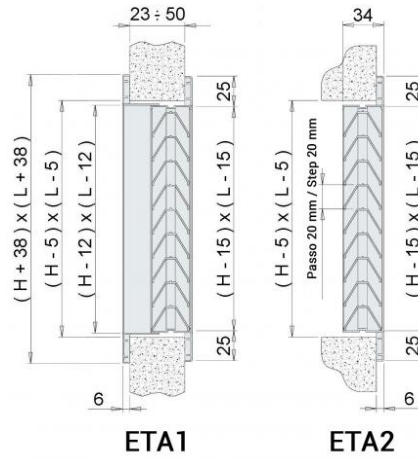


ETA Aluminium transfer grilles



Description

Aluminium grilles with special light-blocking profile with 20 mm pitch to allow for optimal air circulation from one room to another.

Characteristics

Material: aluminium.
Finish: natural anodised.
Installation: fastening by means of front screws.
Maximum dimensions: 1000 mm x 1000 mm.

Use

Installed on partitions or doors, it allows for optimal air circulation and ensures a balance of pressure in adjacent rooms of air-conditioned buildings with centralised air systems.

Models

ETA1: grille complete with counter-frame;
ETA2: grille without counter-frame.

Operating data

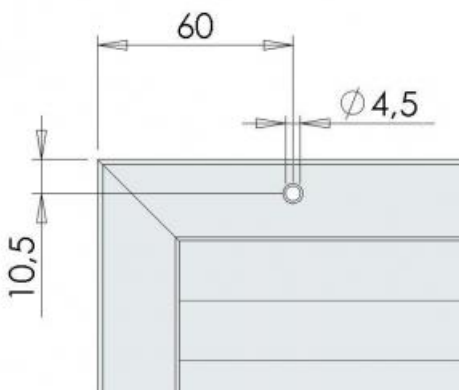
Vk: effective speed (m/s)
m³/h: flow rate
Pa: pressure drops in Pascal
dB(A): noise level

L: width
H: height

All dimensions are expressed in mm

dimension LxH	effective cross-section m ²	flow rate m ³ /h		
		Vk (m/s)		
		0,8	1	1,5
300x100	0,007	20	25	37
400x100	0,010	29	36	54
500x100	0,012	35	43	65
600x100	0,015	43	54	80
300x160	0,015	43	54	80
400x160	0,020	57	72	108
500x160	0,025	72	90	135
600x160	0,030	86	108	162
300x200	0,019	54	68	103
400x200	0,026	75	93	140
500x200	0,033	95	118	178
600x200	0,040	115	144	216
300x300	0,031	89	112	167
400x300	0,043	123	154	232
500x300	0,054	155	195	292
600x300	0,065	187	234	350
600x400	0,090	260	325	485
600x600	0,139	400	500	750
	Pa	7	10	20
	dB(A)	25/30	30/35	40/45

Detail of holes



Price list

Note: painted white RAL 9016 + 20%.

Item normally available from stock

Dimension LxH	grille ETA1	grille ETA2	Dimension LxH	grille ETA1	grille ETA2
	euro	euro		euro	euro
300x100	36,86 v	25,79 v	400x200	60,82 v	43,30 v
400x100	42,41 v	29,51 v	500x200	67,29 v	47,01 v
500x100	47,91 v	33,17 v	600x200	75,56 v	53,45 v
600x100	54,39 v	37,78 v	300x300	65,45 v	47,01 v
300x160	47,01 v	33,17 v	400x300	75,56 v	53,45 v
400x160	53,45 v	37,78 v	500x300	85,72 v	60,83 v
500x160	58,96 v	41,48 v	600x300	95,83 v	68,20 v
600x160	63,62 v	44,24 v	600x400	127,79 v	90,95 v
300x200	53,45 v	37,78 v	600x600	191,70 v	136,42 v