

EDQF1 Square diffusers with perforated front plate

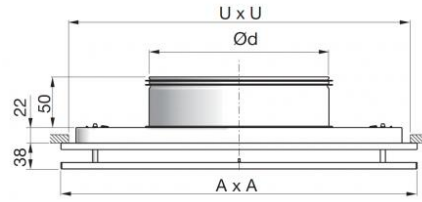


Description

Square diffusers for ceiling installation with perforated front plate.

Characteristics

Material: steel.
Finish: painted white RAL 9010.
Installation: by means of non-visible screws.



Use

Thanks to its special construction, it is a very versatile diffuser.

Recommended for both supply and exhaust air. It can be supplied with various accessories that guarantee optimal diffuser operation.

Accessories

- EPZ-DC galvanised plenum;
- EPI-DC insulated plenum;
- EDZ regulation damper;
- directional deflectors;
- mounting brackets;
- plate for false ceilings to install the diffuser on a modular false ceiling 600mm x 600mm.

Dimensions

all dimensions are expressed in mm

model	Ød mm	AxA mm	UxU (hole size) mm	Effective cross-section m ²	weight Kg
125	125	235	200	0,018	0,9
160	160	295	260	0,023	1,4
200	200	395	360	0,03	2,2
250	250	495	460	0,043	3,0
315	315	595	560	0,057	4,3
400	400	595	560	0,075	4,4

Operating data

Vk: effective speed (m/s)

m³/h: flow rate

Pa: pressure drops in Pascal

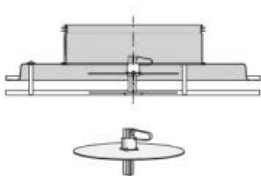
L(m): air throw in metres calculated on ceiling installation, terminal velocity 0.20 m/s

dB(A): noise level

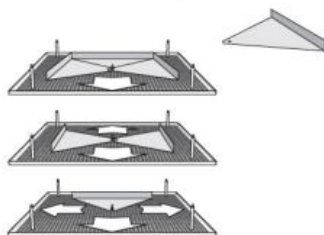
model	Vk	2,5	3	3,5	4	5
125	m ³ /h	162	194	227	259	324
	L(m)	1,6	1,9	2,2	2,4	3,0
	Pa	10	14	19	25	38
	dB(A)	30	35	40	47	50
160	m ³ /h	207	248	290	331	414
	L(m)	1,8	2,1	2,4	2,7	3,3
	Pa	8	11	15	19	30
	dB(A)	<20	23	28	35	42
200	m ³ /h	270	324	378	432	540
	L(m)	2,0	2,4	2,8	3,1	3,8
	Pa	9	9	13	17	26
	dB(A)	<20	22	27	33	43
250	m ³ /h	387	464	542	619	774
	L(m)	2,5	3,0	3,4	3,9	4,8
	Pa	7	10	14	18	27
	dB(A)	<20	25	32	35	43
315	m ³ /h	513	616	718	821	1026
	L(m)	2,9	3,5	4,0	4,5	5,5
	Pa	6	9	12	16	24
	dB(A)	<20	22	27	33	42
400	m ³ /h	675	810	945	1080	1350
	L(m)	3,4	4,0	4,6	5,2	6,3
	Pa	5	7	10	13	21
	dB(A)	<20	<20	26	31	40

Accessories

Regulation damper



Deflector (set)

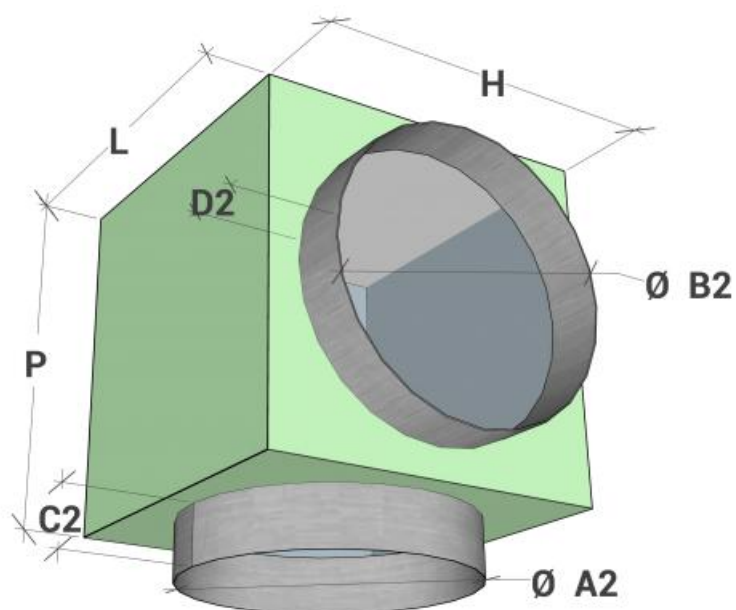


Assembly fabrics



Modular plate for false ceilings





All measurements are expressed in mm.

model	L	H	P	ØA2 Diffuser	ØB2 duct - flexible or rigid	C2	D2
125	200	200	200	127	125	70	100
160	250	250	250	162	155	70	100
200	300	300	300	202	195	70	100
250	350	350	350	252	245	70	100
315	400	400	400	317	310	70	100
400	500	500	500	402	395	70	100

Price list

Item normally available from stock

Model	diffuser EDQF1	EDZ regulation damper	Deflectors	Mounting brackets	Plate for false ceilings	Galvanised plenum	Insulated plenum
	euro	euro	euro	euro	euro	EPZ-DC	EPI-DC
	euro	euro	euro	euro	euro	euro	euro
125	198,10	45,26	42,19	63,29	187,46	56,76	83,93
160	212,96	61,19	44,21	63,29	187,46	63,14	85,27
200	273,63	65,02	52,65	63,29	187,46	71,86	96,61
250	324,39	72,67	57,79	63,29	187,46	95,57	123,97
315	427,16	83,51	82,54	63,29	-	107,56	139,61
400	445,73	94,34	84,38	63,29	-	142,45	183,34