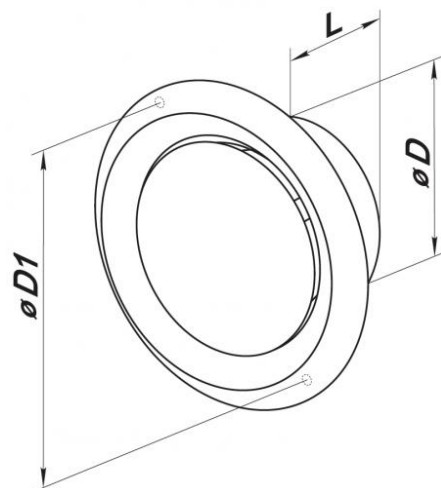


EAM-VRFN Air intake and exhaust valves in stainless steel



Description

Air intake and exhaust valves in stainless steel with adjustable airflow regulation and flange to fix them on circular duct. Suitable for false-ceiling or wall installation.

Characteristics

Material : stainless steel.
Installation : by not apparent screws

Use

Used for air exhaust and supply in shops, bathrooms and service spaces. Suitable for ceiling installation, directly on the duct.

Dimensions and price list

Item normally available from stock

model	D	D1	L	effective section m ²	max airflow m ³ /h	euro
EAM-100-VRFN	97	118	52	0,0032	60	36,53 ✓
EAM-125-VRFN	120	141	52	0,0057	80	49,28 ✓
EAM-150-VRFN	145	162	62	0,0090	100	66,27 ✓