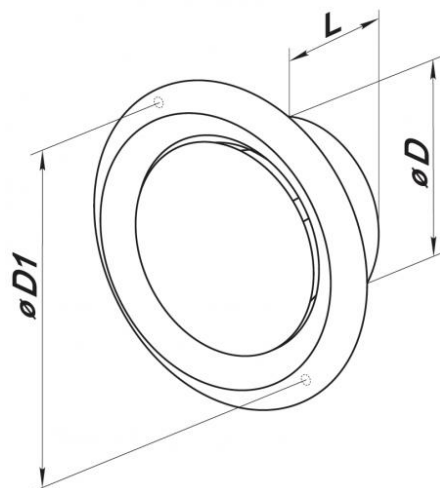


EAM-VRFN Air intake and exhaust valves in stainless steel



Description

Stainless steel supply and exhaust valves for wall or false ceiling installation, with adjustable air flow and circular duct fixing flange.

Characteristics

Material: stainless steel.
Installation: by means of non-visible screws.

Use

Ceiling installation, directly on the duct, for air supply or exhaust in service rooms, bathrooms and shops.

Dimensions and price list

Item normally available from stock

model	D	D1	L	effective cross-section m ²	maximum flow rate m ³ /h	euro
EAM-100-VRFN	97	118	52	0,0032	60	36,53 ▾
EAM-125-VRFN	120	141	52	0,0057	80	49,28 ▾
EAM-150-VRFN	145	162	62	0,0090	100	66,27 ▾