

CU-LT-1S Rectangular surface-mounted fire dampers CE



Description

Surface-mounted fire dampers with fire resistance up to 120 minutes, CE marked with performance declared according to EN 15650:2010 and with fire resistance determined according to EN 1366-2 up to EI 120 (ve i ↔ o)S - (500Pa) and EI 120 (ho i ↔ o) S - (500Pa) depending on the installation surface. The dampers can be equipped with different types of mechanisms, depending on the specific needs of the project.

Standard version

With thermo-mechanical manual drive: code CU-LT-1S + MFUSP + FDCU.

With RFT electronic servomotor drive: code CU-LT-1S + ONE T 24/230 V FDCU.

With Belimo servomotor drive: code CU-LT-1S + BFLT 24 / 230 V.

Versions on request

With electromagnet drive normally energised or normally de-energised, code CU-LT-1S + UNIQ VD/VM FDCB.

Characteristics

Galvanised steel structure.
25 mm thick refractory blade.
Dimensions: from 200x100 to 800x600
Heat-expanding perimeter seal.
2 microswitches (one start and one end switch) already installed.
20 mm connection flange.
300 mm case.
Fast, easy surface-mounted installation on rigid wall, rigid floor and lightweight wall (plasterboard).
Optimised free surface and minimal pressure drop.
Optimal acoustic performance.
Class C air tightness according to EN1751.
Suitable for recessed installation 0/90/180/270°.
Does not require maintenance.
For indoor use.
Intermediate dimensions on request.
Operating temperature: max 50°C.

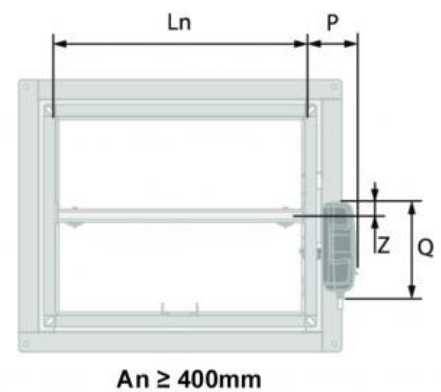
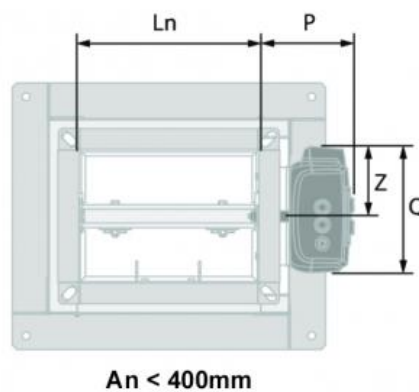
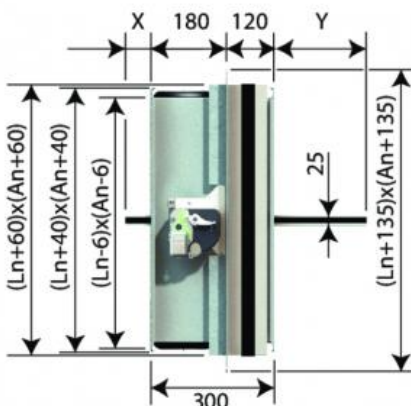
ONE RFT actuator characteristics

The microprocessor-controlled servomotor with spring return, ONE Rf-t, is designed to efficiently operate Rf-t fire dampers of any size. The main characteristics of the ONE Rf-t actuator are the following:

- very low stand-by energy consumption (0.12 W) which allows for up to 5 times less energy consumption compared to conventional servomotors installed in fire dampers;
- the opening status of the fire damper is visible via an indicator located on the actuator; in addition to this, an LED indicates whether the device is powered;
- the main thermal activation device allows for operational tests to be performed even if there is no mains power supply;
- a further activation device is integrated in the actuator in order to detect a possible fire outside the duct;
- the fuse can be replaced quickly and easily. The fuse housing is located in the servomotor body and it can also be used as an inspection hole for an endoscopic camera;
- the damper can be reset manually using a common 9 Volt alkaline battery. Up to 50 reset cycles can be performed with a single battery;
- IP54 enclosure made of shock-resistant technical polymer.
- there is a pair of microswitches at the start and at the end. Both power and position cables are oversized and clearly identified.
- Power supply 24 VAC/VDC (-10/+20%) or 230 VAC (-15/+15%).

Use and classification with mechanical, magnetic or motorised control

- Rigid wall: EI 120 (ve i ↔ o) S - (500 Pa).
- Lightweight wall: EI 120 (ve i ↔ o) S - (500 Pa) (gypsum blocks).
- Lightweight wall: EI 90 (ve i ↔ o) S - (500 Pa) (plasterboard type F).
- Slab: EI 120 (ho i ↔ o) S - (500 Pa) aerated concrete.



Dimensions:

- x: blade coming out on servomotor side
- y: blade coming out on wall side

An(mm)	150	200	250	300	350	400	450	500	550	600
x (mm)								17	42	67
y (mm)	2	27	52	77	102	127	152	177	202	227

	An < 400mm (mm)			An ≥ 400mm (mm)		
	MFUSP	ONE	BFLT	MFUSP	ONE	BFLT
P (mm)	101	97	81	101	97	81
Q (mm)	122	136	80	123	191	80
Z (mm)	61	75	40	28	27	40

Version with manual control MFUSP - Price list

An:height	Ln:base (mm)												
	200	250	300	350	400	450	500	550	600	650	700	750	800
mm	euro	euro	euro	euro	euro	euro	euro	euro	euro	euro	euro	euro	euro
100	251,77	257,75	263,78	269,78	275,78	281,81	287,78	293,83	299,83	305,80	311,78	317,86	323,81
150	253,18	259,14	265,14	271,23	277,16	283,18	289,17	295,18	301,21	307,21	313,16	319,23	325,21
200	254,54	260,58	266,49	272,60	278,57	284,53	290,57	296,59	302,54	308,57	314,56	320,61	326,59
250	261,04	267,48	273,84	280,31	286,68	293,15	299,56	305,98	312,49	318,87	325,31	331,72	354,21
300	267,48	274,34	281,13	288,02	294,86	301,71	308,57	315,39	322,28	329,13	352,03	358,91	365,74
350	273,92	281,22	288,52	295,74	303,02	310,28	317,60	324,87	348,18	355,48	362,70	370,00	377,28
400	280,38	288,07	295,78	303,49	311,15	318,87	342,65	350,38	358,03	365,74	373,46	381,13	388,84
450	286,88	295,00	303,08	311,20	319,30	343,54	351,66	359,79	367,91	375,99	384,13	392,28	400,37
500	293,33	301,82	310,41	318,93	343,58	352,12	360,69	369,20	377,74	386,31	394,78	403,39	427,94
550	299,73	308,78	317,73	326,67	351,71	360,69	369,64	378,68	387,59	396,52	405,55	430,56	439,52
600	306,22	315,62	324,99	350,52	359,87	369,27	378,68	388,03	397,46	406,85	432,31	441,69	451,05

Version with motorised control ONE RFT 24V - Price list

An:height	Ln:base (mm)												
	200	250	300	350	400	450	500	550	600	650	700	750	800
mm	euro	euro	euro	euro	euro	euro	euro	euro	euro	euro	euro	euro	euro
100	574,25	580,53	586,81	593,14	599,38	605,69	611,95	618,28	624,56	630,83	637,08	643,43	649,68
150	575,71	581,98	588,22	594,59	600,83	605,69	613,43	619,71	626,00	632,30	638,53	644,89	651,16
200	577,14	583,45	589,70	596,06	602,31	608,58	614,87	621,20	627,43	633,75	640,02	646,34	652,61
250	583,94	590,68	597,35	604,15	610,81	617,58	624,28	631,04	637,82	644,52	651,25	657,98	681,54
300	590,68	597,88	605,00	612,18	619,37	626,59	633,75	640,91	648,09	655,22	679,22	686,40	693,61
350	597,42	605,07	612,70	620,29	627,92	635,56	643,17	650,81	675,21	682,85	690,39	698,05	705,68
400	604,21	612,24	620,32	628,43	636,44	644,52	669,40	677,48	685,53	693,61	701,68	709,70	717,78
450	610,97	619,51	627,98	636,52	644,95	670,35	678,87	687,34	695,83	704,35	712,86	721,41	729,84
500	617,74	626,68	635,67	644,60	670,40	679,29	688,30	697,21	706,16	715,12	724,05	733,03	758,75
550	624,49	633,94	643,31	652,67	678,93	688,30	697,65	707,12	716,46	725,85	735,28	761,50	770,89
600	631,26	641,13	650,94	677,64	687,43	697,28	707,12	716,93	726,83	736,67	763,30	773,10	782,96

Version with motorised control ONE RFT 230V - Price list

An:height	Ln:base (mm)												
	200	250	300	350	400	450	500	550	600	650	700	750	800
mm	euro	euro	euro	euro	euro	euro	euro	euro	euro	euro	euro	euro	euro
100	616,96	623,18	629,51	635,82	642,06	648,39	654,66	660,96	667,24	673,52	679,78	686,14	692,41
150	618,41	624,68	630,89	637,30	643,51	649,81	656,08	662,41	668,69	674,96	681,23	687,56	693,83
200	619,83	626,16	632,37	638,74	645,01	651,25	657,58	663,89	670,12	676,41	682,68	689,03	695,28
250	626,65	633,35	640,06	646,82	653,50	660,28	666,96	673,69	680,50	687,23	693,95	700,66	724,19
300	633,35	640,55	647,69	654,90	662,05	669,24	676,41	683,59	690,79	697,95	721,94	729,11	736,27
350	640,12	647,75	655,43	662,99	670,59	678,21	685,87	693,50	717,88	725,54	733,18	740,72	748,38
400	646,86	654,94	663,05	671,09	679,11	687,23	712,12	720,19	728,20	736,27	744,38	752,40	760,49
450	653,68	662,19	670,69	679,19	687,63	713,05	721,56	730,05	738,57	747,00	755,55	764,09	772,57
500	660,44	669,35	678,37	687,28	713,09	722,02	730,98	739,87	748,82	757,81	766,71	775,72	801,44
550	667,17	676,61	686,02	695,38	721,60	730,98	740,36	749,80	759,15	768,54	777,99	804,18	813,53
600	673,95	683,78	693,64	720,34	730,17	739,96	749,80	759,63	769,50	779,35	806,00	815,80	825,61

Version with motorised control Belimo BFLT 24 V - Price list

An:height	Ln:base (mm)												
	200	250	300	350	400	450	500	550	600	650	700	750	800
mm	euro	euro	euro	euro	euro	euro	euro	euro	euro	euro	euro	euro	euro
100	622,74	629,27	635,79	642,35	648,84	655,41	661,91	668,50	675,01	681,50	687,99	694,60	701,11
150	624,23	630,76	637,25	643,87	650,35	656,91	663,40	669,94	676,51	683,01	689,50	696,12	702,58
200	625,76	632,28	638,78	645,40	651,87	658,37	664,94	671,50	677,96	684,53	691,03	697,61	704,12
250	632,84	639,81	646,73	653,78	660,71	667,74	674,70	681,72	688,75	695,72	702,72	709,69	734,15
300	639,81	647,29	654,68	662,15	669,60	677,08	684,53	691,95	699,43	706,89	731,75	739,21	746,69
350	646,84	654,75	662,74	670,54	678,45	686,38	694,32	702,23	727,59	735,50	743,38	751,29	759,28
400	653,83	662,22	670,57	679,01	687,33	695,72	721,58	729,93	738,29	746,69	755,05	763,41	771,79
450	660,91	669,73	678,51	687,39	696,18	722,51	731,41	740,18	749,05	757,82	766,68	775,56	784,32
500	667,91	677,18	686,53	695,78	722,56	731,86	741,18	750,40	759,71	769,04	778,29	787,63	814,33
550	674,91	684,72	694,46	704,18	731,46	741,18	750,92	760,73	770,41	780,18	789,95	817,18	826,94
600	681,95	692,17	702,38	730,12	740,29	750,51	760,73	770,90	781,18	791,40	819,04	829,26	839,46

Version with motorised control Belimo BFLT 230 V - Price list

Ln:base (mm)													
An:height	200	250	300	350	400	450	500	550	600	650	700	750	800
mm	euro	euro	euro	euro	euro	euro	euro	euro	euro	euro	euro	euro	euro
100	669,83	676,31	682,89	689,44	695,91	702,48	708,99	715,54	722,07	728,59	735,07	741,67	748,17
150	671,36	677,87	684,32	690,96	697,44	703,98	710,51	717,07	723,58	730,09	736,58	743,17	749,71
200	672,80	679,39	685,86	692,47	698,98	705,45	712,00	718,57	725,04	731,59	738,14	744,68	751,17
250	679,91	686,90	693,81	700,86	707,80	714,82	721,78	728,76	735,86	742,78	749,82	756,77	781,23
300	686,90	694,37	701,75	709,20	716,68	724,15	731,59	739,04	746,51	753,94	778,84	786,29	793,77
350	693,89	701,81	709,79	717,62	725,56	733,47	741,41	749,32	774,67	782,61	790,43	798,39	806,34
400	700,91	709,28	717,68	726,08	734,40	742,78	768,67	777,04	785,37	793,77	802,16	810,47	818,87
450	707,96	716,79	725,64	734,49	743,28	769,61	778,46	787,29	796,11	804,90	813,79	822,63	831,43
500	714,99	724,25	733,61	742,84	769,70	778,93	788,26	797,49	806,79	816,12	825,37	834,71	861,42
550	721,99	731,81	741,54	751,25	778,52	788,26	797,62	807,81	817,50	827,26	837,06	864,29	874,00
600	729,02	739,24	749,45	777,20	787,38	797,60	807,81	817,98	828,26	838,48	866,16	876,34	886,56

Spare fuses

Item normally available from stock

Description	Euro
MFUS thermo-mechanical manual fuse	16,13
ONE T fuse for RFT electronic servomotor	66,56
Z-BAT fuse for BELIMO electronic servomotor	66,56

