

EGA Exhaust aluminium grilles 25 mm pitch



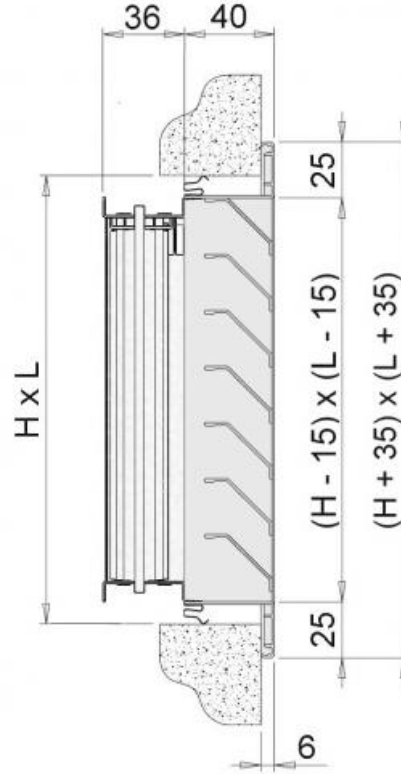
Description

Aluminium exhaust grilles with horizontal fixed bars with 45° inclination.

Characteristics

Material: aluminium.
Finish: natural anodised.
Installation: clip fastening.

Dimensions achievable in one piece:
- min. base 100 mm x height 100 mm;
- max. base 1500 mm x height 1000 mm.



Use

Recommended for air exhaust, can be installed both inside and outside civil and industrial environments.

Models

- EGA Aluminium exhaust grilles 25 mm pitch.
- EGA 595x595 false ceiling version dim. 595x595 mm (external frame).

Accessories

- EPZ galvanised plenum;
- EPI insulated plenum;
- SC galvanised steel regulation damper with blades with opposing movement;
- CT galvanised steel counter-frame to set into wall.

On request

- White RAL9016 painting or other RAL colours;
- with bird mesh;
- with mosquito mesh;
- holes on frame for installation with screws.

Effective cross-section

All dimensions are expressed in mm.

H	L							
	200	300	400	500	600	800	1000	1200
	effective cross-section m ²							
100	0,009	0,014	0,019	0,024	0,029	0,039	0,049	0,059
200	0,019	0,030	0,040	0,050	0,061	0,081	0,102	0,123
300	0,029	0,045	0,061	0,076	0,092	0,124	0,155	0,187
400	0,039	0,060	0,081	0,102	0,123	0,166	0,208	0,250
500	0,049	0,075	0,102	0,128	0,155	0,208	0,261	0,314
600	0,059	0,091	0,123	0,154	0,186	0,250	0,313	0,377
800	0,079	0,121	0,164	0,206	0,249	0,334	0,419	0,504
1000	0,099	0,152	0,205	0,258	0,312	0,418	0,525	0,631

Operating data

Vk: effective speed (m/s)
m³/h: flow rate
Pa: pressure drops in Pascal
dB(A): noise level
L: base
H: height

All dimensions are expressed in mm.

H	Vk m/s	L							
		200	300	400	500	600	800	1000	1200
		m^3/h							
100	4	130	200	275	346	420	560	705	850
	6	195	300	410	520	625	840	1060	1275
	8	260	400	545	691	835	1120	1410	1700
200	4	275	430	575	720	880	1165	1470	1770
	6	410	650	860	1080	1320	1750	2203	2660
	8	545	865	1150	1440	1760	2335	2940	3542
300	4	420	650	880	1095	1325	1785	2230	2695
	6	625	970	1320	1640	1990	2680	3350	4040
	8	835	1295	1760	2190	2650	3570	4465	5385
400	4	560	865	1165	1470	1770	2390	2995	3600
	6	840	1295	1750	2200	2655	3585	4495	5400
	8	1120	1730	2335	2940	3540	4780	5990	7200
500	4	705	1080	1470	1845	2230	2995	3760	4520
	6	1060	1620	2200	2765	3350	4495	5640	6780
	8	1410	2160	2940	3685	4465	5990	7515	9040
600	4	850	1310	1770	2220	2680	3600	4505	5430
	6	1275	1965	2660	3325	4020	5400	5760	8140
	8	1700	2620	3545	4435	5360	7200	9015	10860
800	4	1140	1740	2360	2965	3585	4810	6035	7260
	6	1705	2615	3540	4450	5380	7210	9050	10885
	8	2275	3485	4725	5930	7170	9620	12065	14515
1000	4	1430	2190	2950	3715	4490	6020	7560	9085
	6	2140	3280	4430	5570	6740	9030	11340	13630
	8	2850	4380	5905	7430	8985	12040	15120	18170

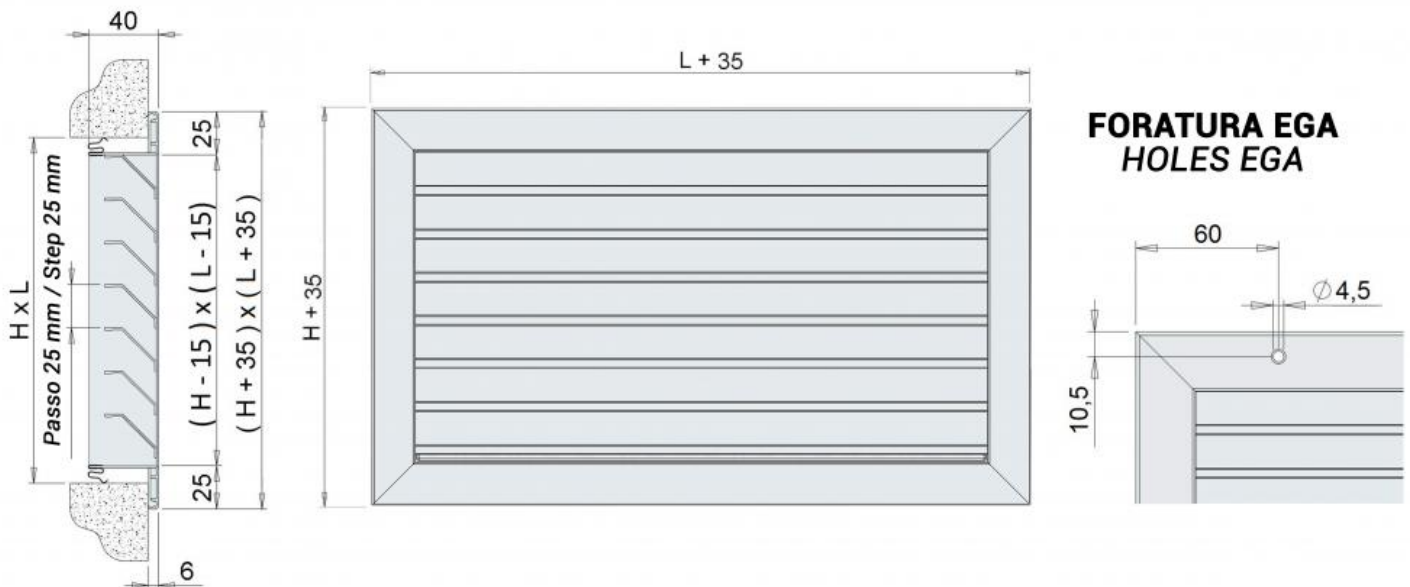
Noise level dB(A)

Vk m/s	dB(A)
4	25/30
6	35/45
8	45/50

Pressure drop (Pa)

Vk m/s	Pa
4	16
6	45
8	80

Configuration



SC regulation damper

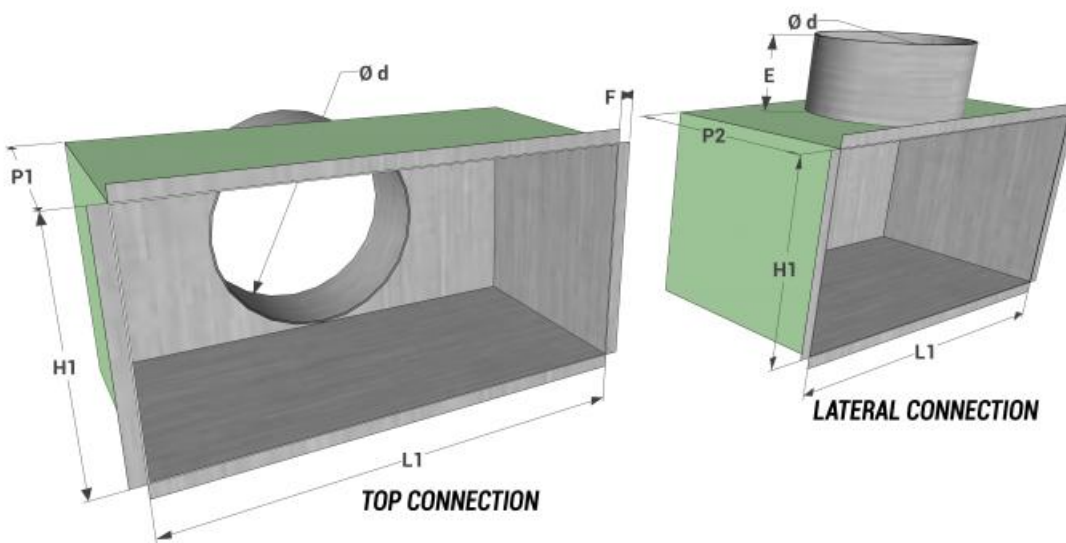
Galvanised steel regulation damper with blades with opposing movement.
Maximum dimensions L x H for construction in one piece 1000 mm x 600 mm.



CT counter-frame



Plenum



All measurements are expressed in mm.

model L1 x H1	top connection			lateral connection			E	F	model L1 x H1	top connection			lateral connection			E	F
	P1	no. connections	Ø d	P2	no. connections	Ø d				P1	no. connections	Ø d	P2	no. connections	Ø d		
200x100	200	1	98	200	1	98	80	12	1000x200	200	2	198	300	2	198	80	12
300x100	200	1	98	200	1	98	80	12	300x300	200	1	248	350	1	248	80	12
400x100	200	2	98	200	2	98	80	12	400x300	200	1	248	350	1	248	80	12
500x100	200	2	98	200	2	98	80	12	500x300	200	1	248	350	1	248	80	12
600x100	200	2	98	200	2	98	80	12	600x300	200	2	198	350	2	248	80	12
800x100	200	2	98	200	2	98	80	12	800x300	200	2	248	350	2	248	80	12
200x200	200	1	198	300	1	198	80	12	1000x300	200	2	248	350	2	248	80	12
300x200	200	1	198	300	1	198	80	12	400x400	200	1	298	350	1	298	80	12
400x200	200	1	198	300	1	198	80	12	500x400	200	1	298	350	1	298	80	12
500x200	200	1	198	300	1	198	80	12	600x400	200	2	198	350	2	248	80	12
600x200	200	2	198	300	2	198	80	12	800x400	200	2	298	350	2	298	80	12
800x200	200	2	198	300	2	198	80	12	1000x400	200	2	298	400	2	298	80	12
560x560	-	-	-	300	1	248	80	12									

Price list

Notes:

- with bird mesh + 30%
- painted white RAL 9016 + 20%
- mosquito mesh price on request.
- drip tile + 10%.

Item normally available from stock

grille EGA

H	L							
	200	300	400	500	600	800	1000	1200
	euro	euro	euro	euro	euro	euro	euro	euro
100	16,13	18,67	22,91	27,17	30,54	37,35	48,37	55,15
150	19,52	22,06	26,28	32,25	38,18	44,96	51,75	61,94
200	21,22	26,28	28,86	36,49	46,66	53,47	62,78	71,28
300	26,28	32,25	39,03	48,37	57,71	70,43	84,86	100,14
400	31,14	40,73	52,61	62,78	71,28	90,79	102,82	125,58
500	38,18	50,07	65,34	72,12	84,86	107,76	129,81	156,11
600	48,37	60,25	73,83	86,55	100,14	125,58	156,11	176,48
800	55,15	73,83	98,42	110,32	128,97	160,35	200,22	232,48
1000	68,94	92,28	123,05	137,91	161,21	200,45	250,27	290,61

Item normally available from stock

model	external frame dimensions	dimensions L x H	description	Euro
EGA	595 x 595	560 x 560	Aluminium exhaust grille 25 mm pitch. Version for false ceiling installation with modular panels 600 mm x 600 mm.	85,90

Accessories

Item normally available from stock

SC damper

H	L							
	200	300	400	500	600	800	1000	1200
	euro	euro	euro	euro	euro	euro	euro	euro
100	13,21	14,39	17,21	20,54	23,50	29,54	36,25	a.r.
150	14,57	16,86	19,86	23,00	26,21	33,57	40,46	a.r.
200	15,96	22,39	24,57	28,86	33,25	40,75	45,48	a.r.
300	22,39	27,79	34,39	37,86	41,39	50,21	60,54	a.r.
400	24,57	34,39	39,39	47,57	51,14	62,57	74,25	a.r.
500	28,86	37,86	47,57	61,21	63,82	75,89	95,79	a.r.
600	33,25	41,39	51,14	63,82	76,00	91,64	114,64	a.r.
800	40,75	50,21	62,57	75,89	91,64	a.r.	a.r.	a.r.
1000	45,48	60,54	74,25	95,79	114,64	a.r.	a.r.	a.r.

CT counter-frame

H	L							
	200	300	400	500	600	800	1000	1200
	euro	euro	euro	euro	euro	euro	euro	euro
100	14,13	14,13	15,68	17,25	18,85	22,59	25,76	34,51
150	14,13	15,68	17,25	20,69	22,59	25,76	29,23	a.r.
200	15,68	17,25	19,94	22,59	24,19	29,23	32,61	37,65
300	17,25	20,69	24,19	27,60	29,23	34,51	39,25	42,67
400	19,94	24,19	27,60	30,77	34,51	39,25	44,53	47,66
500	22,59	27,60	30,77	34,51	37,65	43,02	48,06	53,07
600	24,19	29,23	34,51	37,65	41,10	46,13	53,33	58,08
800	29,23	34,51	39,25	43,02	46,13	53,33	59,95	66,48
1000	32,61	39,25	44,53	48,06	53,33	59,95	74,94	a.r.

Plenum

Item normally available from stock

dimensions	top connection		lateral connection	
	EPZ galvanized plenum	EPI isolated plenum	EPZ galvanized plenum	EPI isolated plenum
L1xH1	euro	euro	euro	euro
200x100	30,09 ∨	41,81 ∨	30,09 ∨	41,81 ∨
300x100	32,55 ∨	45,15 ∨	32,55 ∨	45,15 ∨
400x100	43,12 ∨	56,91 ∨	43,12 ∨	56,91 ∨
500x100	45,61 ∨	60,26 ∨	45,61 ∨	60,26 ∨
600x100	48,11 ∨	63,60 ∨	48,11 ∨	63,60 ∨
800x100	53,11 ∨	70,32 ∨	53,11 ∨	70,32 ∨
1000x100	50,00 ∨	68,60 ∨	66,40 ∨	91,00 ∨
200x200	34,24 ∨	47,08 ∨	37,85 ∨	51,92 ∨
300x200	37,16 ∨	50,99 ∨	41,70 ∨	57,07 ∨
400x200	40,12 ∨	54,95 ∨	45,50 ∨	62,18 ∨
500x200	43,04 ∨	58,91 ∨	49,34 ∨	67,29 ∨
600x200	59,99 ∨	78,09 ∨	71,98 ∨	92,00 ∨

Item normally available from stock

dimensions	top connection		lateral connection	
	EPZ galvanized plenum	EPI isolated plenum	EPZ galvanized plenum	EPI isolated plenum
L1xH1	euro	euro	euro	euro
800x200	70,71 ∨	90,27 ∨	79,62 ∨	102,30 ∨
1000x200	76,59 ∨	98,19 ∨	76,59 ∨	112,52 ∨
300x300	41,20 ∨	56,14 ∨	49,27 ∨	67,06 ∨
400x300	55,34 ∨	71,90 ∨	64,75 ∨	84,54 ∨
500x300	58,72 ∨	76,43 ∨	69,44 ∨	90,88 ∨
600x300	69,52 ∨	88,69 ∨	77,59 ∨	99,53 ∨
800x300	84,97 ∨	112,40 ∨	99,72 ∨	132,19 ∨
1000x300	91,73 ∨	121,47 ∨	109,14 ∨	144,80 ∨
400x400	59,76 ∨	77,70 ∨	74,09 ∨	96,96 ∨
500x400	63,60 ∨	82,78 ∨	79,70 ∨	104,45 ∨
600x400	82,31 ∨	108,98 ∨	91,23 ∨	121,01 ∨
800x400	99,26 ∨	128,97 ∨	115,32 ∨	150,49 ∨
1000x400	117,67 ∨	153,18 ∨	142,65 ∨	186,69 ∨