

# VU120 Smoke dampers with multiple compartment



## Description :

Smoke dampers with single blade made according to the European Standard EN 12101-8 and tested according to the EN 1366-10 Standard. VU 120 has a fire resistance up to 120 minutes. EI 120 (ved i ↔ o) S 1500 AA Multi, EI 120 (hod i ↔ o) S 1500 AA Multi.

## Characteristics :

Pressure tested up to 1500 Pa  
 30 mm thick refractory blade.  
 Heat-expanding perimeter seal.  
 Standard connection on both sides with 30 mm flanges.  
 350 mm case.  
 Intermediate dimensions on request.  
 Optimised free surface and minimal pressure drop.  
 Does not require maintenance.  
 For indoor use.  
 Operating temperature: max 50°C.  
 2 microswitches (one start and one end switch) already installed.

## Standard version :

With Belimo servomotor drive with spring return: code VU120 + NF/SF 24V

With Belimo servomotor drive without spring return: code VU120 + BLE 24V + BEN 24V

## On request

With Belimo servomotor drive with spring return: code VU120 + NF/SF 230V

With Belimo servomotor drive without spring return: code VU120 + BEN 230V

With electromagnet drive normally energised: code VU120 + MANF 24/48V VM FDCU

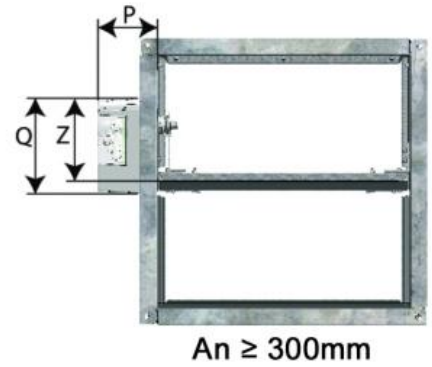
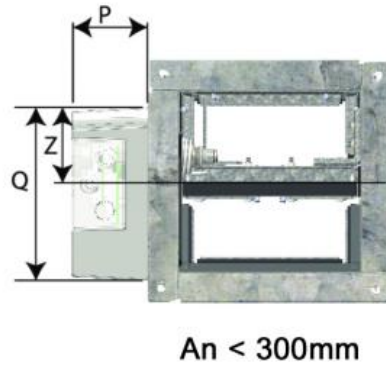
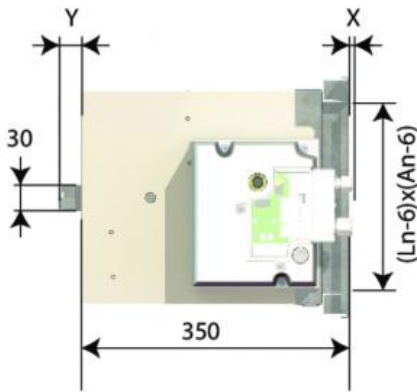
With electromagnet drive normally de-energised: code VU120 + MANF 24/48V VD FDCU

## Use :

IT IS NORMALLY CALLED A SMOKE CONTROL DAMPER AND IT IS AN INTEGRAL PART OF THE SMOKE AND HEAT EVACUATION SYSTEM. It is used in ventilation systems to prevent the propagation of smoke through the ventilation system and/or to convey smoke produced by a fire outside the building.

In fact, in the event of a fire, it must ensure the proper evacuation of smoke so that the escape routes are clear and personnel can evacuate the building.

In the event of an emergency, the smoke damper can open to let the smoke out or close to prevent the propagation of smoke through the ventilation system.



## Dimensions:

x: blade coming out on servomotor side  
 y: blade coming out on wall side

An(mm)	200	250	300	350	400	450	500	550	600	650	700	750	800	850	900	950	1000
x (mm)								9	34	59	84	109	134	159	184	209	234
y (mm)	4	29	54	79	104	129	154	179	204	229	254	279	304	329	354	379	404

	An < 300mm (mm)				An ≥ 300mm (mm)			
	MANF	NF	SF	BNE	MANF	NF	SF	BNE
P (mm)	115	85	85	110	115	85	85	110
Q (mm)	190	100	100	110	190	100	100	110
Z (mm)	85	105	105	85	180	105	105	180

## Version with actuator VU120 + NF / SF 24V- dimensions and price list

a.r. : price on request

		base (mm)									
height	200	250	300	350	400	450	500	550	600	650	700
mm	euro	euro	euro	euro	euro	euro	euro	euro	euro	euro	euro
200	881,03	889,30	897,62	905,92	914,22	922,52	930,82	939,20	947,48	955,78	964,02
250	889,91	898,89	907,69	916,66	925,45	934,44	943,22	952,16	961,13	970,01	978,89
300	898,89	908,34	917,90	927,28	936,85	946,23	955,86	965,18	974,69	984,24	1015,89
350	907,80	917,97	910,13	938,04	948,00	958,15	968,22	978,31	1010,59	1020,68	1030,64
400	916,72	927,33	938,08	948,69	959,38	970,03	1002,89	1013,56	1024,21	1034,82	1045,53
450	925,62	937,00	948,13	959,44	970,63	1004,10	1015,41	1026,63	1037,82	1049,03	1060,30
500	934,63	946,34	958,38	970,17	1004,18	1016,00	1027,85	1039,63	1051,40	1063,32	1075,11
550	943,49	956,05	968,36	980,76	1015,46	1027,85	1040,19	1052,69	1065,19	1077,50	1089,94
600	952,60	965,49	978,47	1013,73	1026,75	1039,69	1052,69	1065,67	1078,83	1091,77	1126,92
650	961,52	975,10	988,64	1024,42	1037,98	1051,52	1065,27	1078,83	1092,40	1241,01	1254,61
700	970,32	984,53	1020,97	1035,07	1049,32	1063,48	1077,69	1091,81	1241,07	1255,28	1269,36
750	979,28	994,18	1031,08	1045,76	1060,59	1075,38	1203,01	1239,95	1254,68	1269,36	1284,23

		base (mm)									
height	750	800	850	900	950	1000	1050	1100	1150	1200	
mm	euro	euro	euro	euro	euro	euro	euro	euro	euro	euro	
200	972,40	980,74	988,94	997,30	1005,72	1036,17	1044,43	1052,79	1061,13	1069,33	
250	987,77	1018,89	1027,73	1036,69	1045,55	1054,52	1063,38	1072,30	1081,10	1090,02	
300	1025,36	1034,84	1044,43	1053,83	1063,28	1072,80	1082,33	1091,73	1101,21	1110,80	
350	1040,77	1050,88	1060,92	1070,99	1081,06	1091,23	1101,13	1111,24	1121,34	1131,63	
400	1056,18	1066,83	1077,48	1088,17	1098,82	1131,64	1142,34	1152,94	1163,66	1174,22	
450	1071,57	1082,76	1094,06	1127,48	1138,70	1150,03	1161,20	1172,52	1183,67	1194,92	
500	1086,97	1120,97	1132,87	1144,58	1156,48	1168,29	1180,13	1304,78	1316,62	1350,71	
550	1124,55	1136,91	1149,37	1274,62	1287,04	1299,58	1311,92	1346,49	1358,91	1371,36	
600	1139,92	1265,72	1278,76	1291,93	1304,87	1340,02	1352,96	1366,00	1379,08	1392,02	
650	1268,11	1281,74	1295,36	1308,92	1344,66	1171,21	1371,97	1385,55	1399,09	1412,74	
700	1283,57	1297,82	1311,98	1348,30	1362,46	1376,65	1390,88				
750	1299,04	1335,96	1350,61	1365,48	1380,29						

**Version with actuator VU120 + BEN 24V - dimensions and price list**

a.r. : price on request

		base (mm)									
height	200	250	300	350	400	450	500	550	600	650	700
mm	euro	euro	euro	euro	euro	euro	euro	euro	euro	euro	euro
200	846,56	854,84	863,16	871,46	879,76	888,06	896,36	904,74	913,02	921,32	929,55
250	855,44	864,43	873,23	882,19	890,99	899,97	908,75	917,70	926,66	935,54	944,42
300	864,43	873,87	883,44	892,82	902,39	911,77	921,40	930,72	940,22	949,77	981,43
350	873,33	883,50	893,51	903,57	913,54	923,69	933,75	943,84	976,12	986,21	996,17
400	882,25	892,86	903,61	914,22	924,91	935,56	968,43	979,10	989,75	1000,36	1011,07
450	891,16	902,53	913,66	924,98	936,17	969,63	980,95	992,16	1003,35	1014,56	1025,84
500	900,16	911,87	923,92	935,71	969,72	981,53	993,39	1005,16	1016,93	1028,85	1040,64
550	909,02	921,59	933,90	946,30	980,99	993,39	1005,72	1018,22	1030,72	1043,04	1055,48
600	918,13	931,03	944,01	979,26	992,28	1005,22	1018,22	1031,20	1044,37	1057,31	1092,46
650	927,06	940,64	954,18	989,96	1003,52	1017,06	1030,81	1044,37	1057,93	1093,68	1107,70
700	935,85	950,06	986,50	1000,60	1014,85	1029,02	1043,22	1057,35	1093,75	1107,95	1096,10
750	944,82	959,71	996,61	1011,30	1026,13	1040,92	1055,68	1092,62	1107,35	1122,04	1136,91
800	953,85	991,29	1006,72	1022,11	1037,32	1052,77	1090,34	1105,29	1121,02	1136,37	1151,70
850	962,73	1000,92	1016,81	1032,76	1048,61	1064,63	1102,82	1118,67	1134,60	1150,57	1166,51
900	971,69	1010,40	1026,94	1043,47	1060,07	1098,74	1115,21	1131,81	1148,20	1164,82	1203,53
950	980,70	1019,87	1036,98	1054,10	1071,30	1110,53	1127,67	1144,79	1162,01	1201,18	1218,36
1000	1011,75	1029,54	1047,22	1064,90	1104,73	1122,45	1140,11	1157,87	1197,68	1215,43	1233,11

		base (mm)									
height	750	800	850	900	950	1000	1050	1100	1150	1200	
mm	euro	euro	euro	euro	euro	euro	euro	euro	euro	euro	
200	937,93	946,28	954,47	962,83	971,26	1001,71	1009,96	1018,33	1026,67	1034,86	
250	953,31	984,42	993,26	1002,23	1011,09	1020,05	1028,91	1037,84	1046,64	1055,56	
300	990,89	1000,38	1009,96	1019,37	1046,59	1038,34	1047,86	1057,26	1066,75	1076,34	
350	1006,30	1016,41	1026,46	1036,53	1046,59	1056,76	1066,67	1076,77	1109,08	1119,16	
400	1021,72	1032,37	1043,02	1053,71	1064,36	1097,18	1107,87	1118,48	1129,19	1139,76	
450	1037,11	1048,30	1059,59	1093,02	1104,23	1115,57	1126,74	1138,05	1149,20	1160,45	
500	1052,50	1086,51	1098,41	1110,12	1122,01	1133,83	1145,66	1157,46	1169,29	1203,38	
550	1090,09	1102,44	1114,90	1127,30	1139,72	1152,26	1164,59	1199,16	1211,58	1224,04	
600	1105,46	1118,40	1131,44	1144,60	1157,54	1192,69	1205,63	1218,67	1231,76	1244,69	
650	1120,79	1134,41	1148,04	1161,60	1197,33	1211,08	1224,64	1238,22	1251,76	1265,41	
700	1136,24	1150,49	1164,65	1200,97	1215,14	1229,32	1243,55	1257,69	1294,09	1308,24	
750	1151,72	1188,64	1203,28	1218,15	1232,96	1247,71	1262,41	1299,44	1314,16	1328,95	
800	1189,32	1204,55	1219,90	1235,33	1250,64	1288,14	1303,56	1318,84	1334,28	1349,63	
850	1204,61	1220,50	1236,50	1252,45	1290,54	1306,51	1322,44	1338,46	1354,31		
900	1220,00	1236,54	1253,12	1291,74	1308,32	1324,81	1341,35	1357,91			
950	1235,44	1252,60	1291,83	1308,92	1326,02	1343,22	1360,30				
1000	1250,85	1290,70	1308,49	1326,17	1343,85	1361,53					