

EGA6 Aluminium exhaust grilles 25 mm pitch with filter



Description

Aluminium exhaust grille with fixed horizontal blades with 45° inclination, featuring a double frame with hinge opening which allows for easy filter installation and maintenance.

Characteristics

Material: aluminium.
 Finish: natural anodised.
 Filter: COARSE class (G2) thickness 12 mm.
 Closing: with screw.

Installation

Installation is carried out by securing the external frame of the grille to the wall using screws.

Use

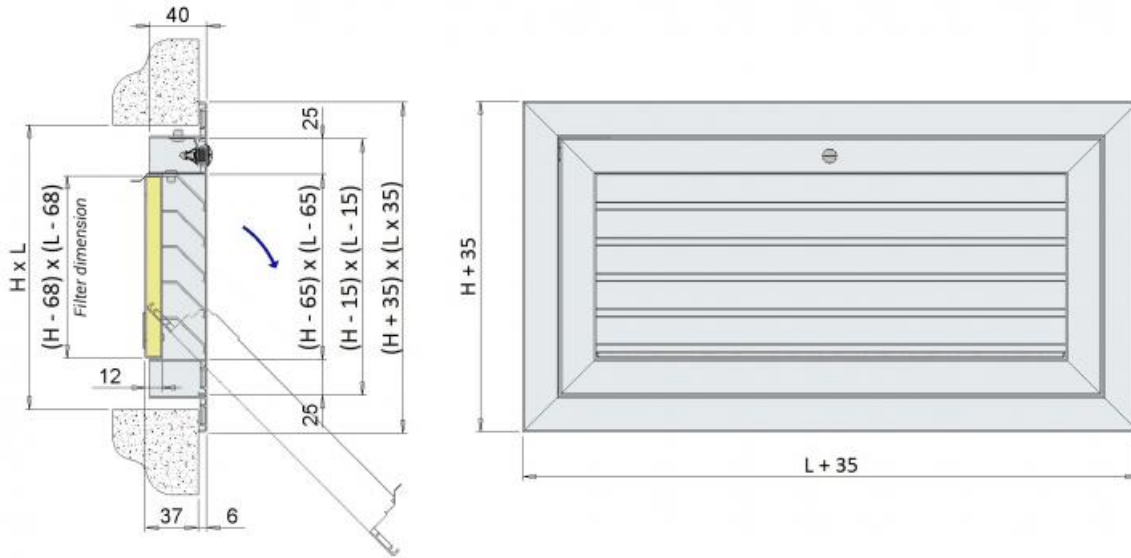
Grilles for external or indoor air exhaust where dust pre-filtration is recommended.
 Initial pressure drop lower than 40 Pa with 1.5 m/s speed on the filter.

Accessories

- EPZ galvanised plenum;
- EPI insulated plenum.

On request

Closing with magnet or push-pull system.



Effective cross-section

H	L						
	200	300	400	500	600	800	1000
effective cross-section of the grille m ²							
200	0,009	0,016	0,020	0,027	0,033	0,044	0,058
300	0,015	0,026	0,036	0,047	0,057	0,077	0,098
400	0,022	0,037	0,053	0,069	0,084	0,114	0,145
500	0,026	0,047	0,066	0,087	0,107	0,146	0,183
600	0,033	0,057	0,083	0,107	0,130	0,177	0,226
800	0,044	0,077	0,110	0,143	0,177	0,242	0,309
1000	0,057	0,102	0,144	0,187	0,229	0,313	0,391

Operating data

m³/h: flow rate

Pa: pressure drops in Pascal

dB(A): noise level

An air velocity on the filter of 1.5 m/s is recommended to contain pressure drops and maintain filtration efficiency; the flow rate data in the table refers to the grille with the filter.

All dimensions are expressed in mm

H	V m/s	L						
		200	300	400	500	600	800	1000
	Face velocity on the filter	flow rate m ³ /h						
200	1,5	63	121	180	238	296	413	530
	2	84	162	240	317	395	551	706
300	1,5	121	234	346	458	571	795	1020
	2	162	312	461	611	761	1060	1360
400	1,5	180	346	512	679	845	1178	1510
	2	240	461	683	905	1127	1570	2014
500	1,5	238	458	679	899	1119	1560	2000
	2	317	611	905	1199	1492	2080	2667
600	1,5	296	571	845	1119	1394	1942	2491
	2	395	761	1127	1492	1858	2590	3321
800	1,5	413	795	1178	2560	1942	2707	3471
	2	551	1060	1570	2080	2590	3609	4629
1000	1,5	530	1020	1510	2000	2491	3471	4452
	2	706	1360	2014	2667	3321	4629	5936

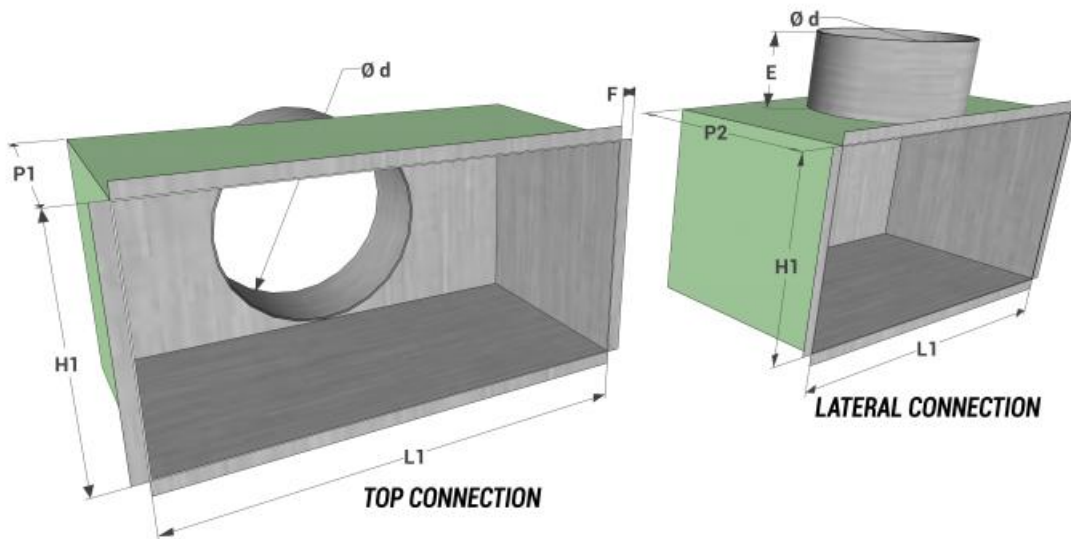
Noise level dB(A)

V m/s	dB(A)
1,5	32/38
2	39/45

Pressure drop (Pa)

V m/s	Pa
1,5	35/38
2	62/68

Plenum



All measurements are expressed in mm.

model L1 x H1	top connection			lateral connection			E	F	model L1 x H1	top connection			lateral connection			E	F
	P1	no. connections	Ø d	P2	no. connections	Ø d				P1	no. connections	Ø d	P2	no. connections	Ø d		
200x200	200	1	198	300	1	198	80	12	500x300	200	1	248	350	1	248	80	12
300x200	200	1	198	300	1	198	80	12	600x300	200	2	198	350	2	248	80	12
400x200	200	1	198	300	1	198	80	12	800x300	200	2	248	350	2	248	80	12
500x200	200	1	198	300	1	198	80	12	1000x300	200	2	248	350	2	248	80	12
600x200	200	2	198	300	2	198	80	12	400x400	200	1	298	350	1	298	80	12
800x200	200	2	198	300	2	198	80	12	500x400	200	1	298	350	1	298	80	12
1000x200	200	2	198	300	2	198	80	12	600x400	200	2	198	350	2	248	80	12
300x300	200	1	248	350	1	248	80	12	800x400	200	2	298	350	2	298	80	12
400x300	200	1	248	350	1	248	80	12	1000x400	200	2	298	400	2	298	80	12

Price list

Painted white RAL 9016 +20%

H	L						
	200	300	400	500	600	800	1000
	euro	euro	euro	euro	euro	euro	euro
200	91,67	94,88	98,14	103,63	108,03	121,23	160,66
300	96,75	103,71	108,04	113,89	121,23	144,93	181,17
400	101,84	109,86	116,87	129,12	144,93	171,29	214,13
500	107,66	118,32	130,10	146,72	166,03	190,62	238,30
600	113,86	124,99	144,93	166,03	183,58	213,46	266,86
800	125,34	150,20	173,95	193,20	238,72	246,83	308,56

Plenum

Item normally available from stock				
dimensions	top connection		lateral connection	
	EPZ galvanized plenum	EPI isolated plenum	EPZ galvanized plenum	EPI isolated plenum
	euro	euro	euro	euro
L1xH1				
200x200	34,24 v	47,08 v	37,85 v	51,92 v
300x200	37,16 v	50,99 v	41,70 v	57,07 v
400x200	40,12 v	81,89 v	45,50 v	62,18 v
500x200	43,04 v	58,91 v	49,34 v	67,29 v
600x200	59,99 v	78,09 v	71,98 v	92,00 v
800x200	70,71 v	62,18 v	79,62 v	102,30 v
1000x200	76,59 v	98,19 v	76,59 v	112,52 v
300x300	41,20 v	56,14 v	49,27 v	67,06 v
400x300	55,34 v	71,90 v	64,75 v	84,54 v
500x300	58,72 v	76,43 v	69,44 v	90,88 v
600x300	69,52 v	88,69 v	77,59 v	99,53 v
800x300	84,97 v	112,40 v	99,72 v	132,19 v
1000x300	91,73 v	121,47 v	109,14 v	144,80 v
400x400	59,76 v	77,70 v	74,09 v	96,96 v
500x400	63,60 v	82,78 v	79,70 v	104,45 v
600x400	82,31 v	108,98 v	91,23 v	121,01 v
800x400	99,26 v	128,97 v	115,32 v	150,49 v
1000x400	117,67 v	153,18 v	142,65 v	186,69 v