

EDCF Circular diffusers with perforated front plate

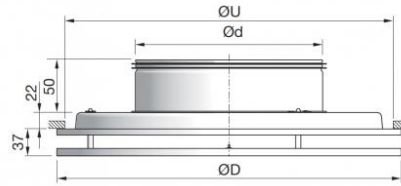


Description

Circular diffusers for ceiling installation with perforated front plate.

Characteristics

Material: steel.
Finish: painted white RAL 9010.
Installation: by means of non-visible screws.



Use

Thanks to its special construction, it is a very versatile diffuser.

Recommended for both supply and exhaust air. It can be supplied with various accessories that guarantee optimal diffuser operation.

Accessories

- EPZ-DC galvanised plenum;
- EPI-DC insulated plenum;
- EDZ regulation damper;
- directional deflectors;
- mounting brackets;
- plate for false ceilings to install the diffuser on a modular false ceiling 600mm x 600mm

Dimensions

All dimensions are expressed in mm

model	Ød mm	ØD mm	ØU (hole size) mm	effective cross-section m ²	weight Kg
125	125	240	200	0,018	0,8
160	160	300	260	0,023	1,2
200	200	360	320	0,03	1,7
250	250	460	420	0,042	2,2
315	315	540	500	0,058	3,2
400	400	540	500	0,066	3,4

Operating data

Vk: effective speed (m/s)

m³/h: flow rate

Pa: pressure drops in Pascal

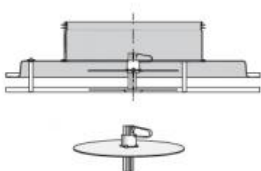
L(m): air throw in metres calculated on ceiling installation, terminal velocity 0.20 m/s

dB(A): noise level

model	Vk	2,5	3	3,5	4	5
125	m ³ /h	162	194	227	259	324
	L(m)	1,6	1,8	2,1	2,4	2,9
	Pa	11	15	21	29	45
	dB(A)	32	35	40	43	50
160	m ³ /h	207	248	290	331	414
	L(m)	1,7	2,1	2,4	2,7	3,4
	Pa	8	13	16	21	32
	dB(A)	25	32	35	38	45
200	m ³ /h	270	324	378	432	540
	L(m)	2,1	2,4	2,8	3,3	3,9
	Pa	6	9	13	17	26
	dB(A)	<20	20	27	32	40
250	m ³ /h	378	454	529	605	756
	L(m)	2,4	2,9	3,3	3,7	5
	Pa	6	9	12	16	23
	dB(A)	<20	<20	25	32	38
315	m ³ /h	522	626	731	835	1044
	L(m)	3	3,5	4	4,6	5,7
	Pa	6	8	11	14	21
	dB(A)	<20	<20	22	28	38
400	m ³ /h	594	713	832	950	1188
	L(m)	2,9	3,5	4	4,5	5,4
	Pa	4	5	8	9	13
	dB(A)	<20	<20	<20	21	26

Accessories

Regulation damper



Deflector (set)

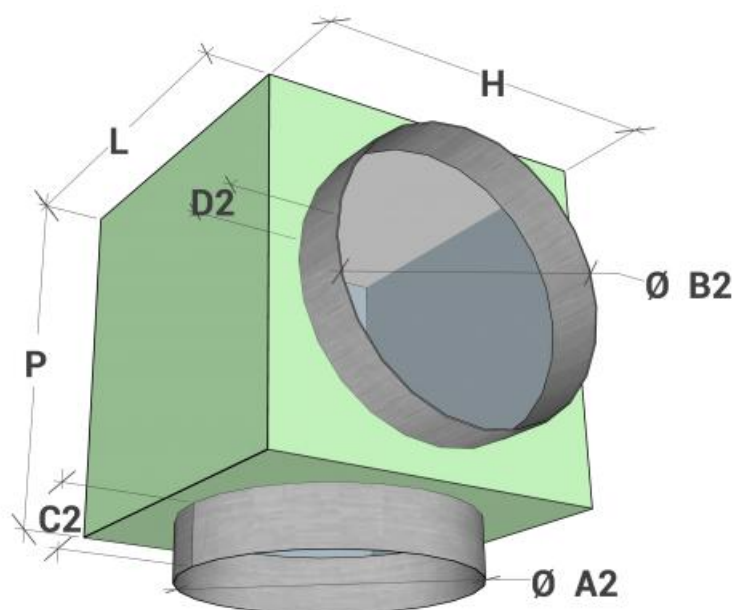


Assembly fabrics



Modular plate for false ceilings





All measurements are expressed in mm.

model	L	H	P	ØA2 Diffuser	ØB2 Flexible or rigid duct	C2	D2
125	200	200	200	127	125	70	100
160	250	250	250	162	155	70	100
200	300	300	300	202	195	70	100
250	350	350	350	252	245	70	100
315	400	400	400	317	310	70	100
400	500	500	500	402	395	70	100

Price list

Item normally available from stock

Model	Diffuser EDCF	EDZ regulation damper	Deflector	Mounting bracket	Plate for false ceilings	Galvanised plenum		Insulated plenum	
						EPZ-DC		EPI-DC	
						euro	euro	euro	euro
125	196,86	45,26	42,19	50,45	187,46	56,76	83,93		
160	206,77	61,19	44,21	50,45	187,46	63,14	85,27		
200	246,39	65,02	52,65	50,45	187,46	71,86	96,61		
250	336,77	72,67	57,79	52,83	187,46	95,57	123,97		
315	368,97	83,51	82,54	52,83	187,46	107,56	139,61		
400	396,21	94,34	84,38	52,83	187,46	142,45	183,34		