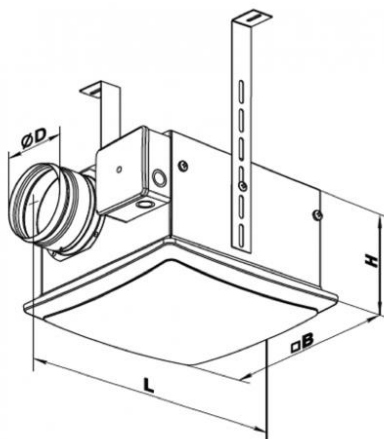


## EVVP Ceiling fans for air flows rates until 300 m<sup>3</sup>/h



### Description:

Fan with adjustable single-phase external rotor motor, with a front screen to view in white ABS . Aesthetics particularly pleasant and galvanized steel structure specially built for ceiling mount , designed for pipes diameter 100/125 and complete damper of no return .

### Characteristics:

Galvanized steel structure .  
White ABS screen.  
Ceiling installation.  
IP44 protection .

### Use:

Rooms where you need to extract stale air from the ceiling.

### Operating data

dB(A): indice di rumorosità

modello	giri	potenza assorbita		dB(A)	temperatura aria trasportata	pressione statica Pa				
		W	A			50	100	150	200	250
EVVP-100	2500	61	0,26	47	-25 +50 °C	230	200	170	125	75
EVVP-125	2500	61	0,26	48	-25 +50 °C	300	275	225	150	75

### Size and price list

modello	ØD	B	H	L	kg	euro
EVVP-100	100	240	160	305	3,4	a.r. v
EVVP-125	125	240	160	305	3,4	a.r. v