

EVBBN Centrifugal fans for domestic use



Description

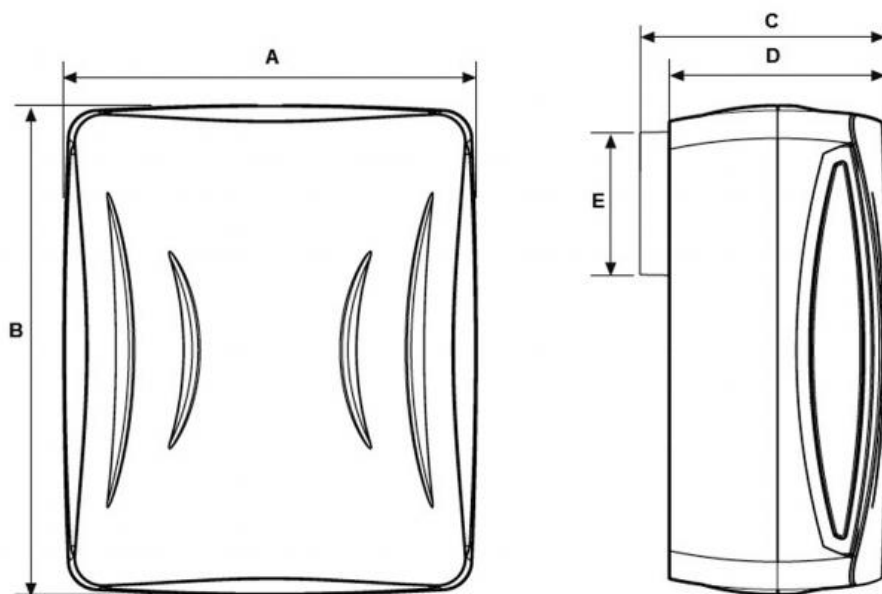
Centrifugal fans with forward blades for wall installation complete with overpressure damper and filter. Double speed single-phase motor, IP44, with automatic reset thermal protection and class II insulation. Maximum operating temperature 40 ° C. The models with timer can prolong the operation for a time of 2, 15 or 30 minutes, or for a time proportionate to the use of the fan (automatic timing); in the timed operation the fan is always at low speed. The HT models, in addition to the timer have a hygrostat which, when exceeding the set relative humidity value (between 60% and 90%), automatically switches from low to high speed.

Characteristics

Material : Injected plastic.
 Finish: White.
 Version S: standard model.
 T version: with timer.
 HT versio : model with humidity sensor and timer.
 Power supply 230 V.

Use

Centrifugal fan for air renewal in bathrooms and rooms of average sizes.
 Suitable for wall mounting.



dimensions

all measurements are in mm

model	A	B	C	D	diameter E
	mm	mm	mm	mm	mm
EVBB-100N	211	268	147	127	98
EVBB-170N	284	337	170	150	98
EVBB-250N	284	337	170	150	98

Operating data

dB (A) : noise index.

S : basic model.

T : model with timer.

HT : model with humidity sensor and timer.

Le prestazioni di portata aria riportata nella tabella si riferiscono ad una perdita di carico pari a 0 Pa.

Modello	Velocità (r.p.m.)		Potenza assorbita (W)	Tensione (V) 50Hz	Portata aria m3/h	dB(A)	Peso (Kg)
EVBB-100N	ALTA	1500	29	230	110	44	1,8
	BASSA	1040	15	230	70	34	
EVBB-170N	ALTA	1120	48	230	230	43	3
	MEDIA	950	38	230	160	37	
	BASSA	910	31	230	90	34	
EVBB-250N	ALTA	1240	53	230	280	46	3
	MEDIA	990	41	230	210	36	
	BASSA	930	31	230	140	37	

Price list

Item normally available from stock

model	fan EVBBN
	euro
EVBB-100N S	272,26 ✓
EVBB-100N T	366,06 ✓
EVBB-100N HT	464,63 ✓
EVBB-170N S	365,51 ✓
EVBB-170N T	461,52 ✓
EVBB-170N HT	535,54 ✓
EVBB-250N S	400,32 ✓
EVBB-250N T	495,78 ✓
EVBB-250N HT	564,30 ✓