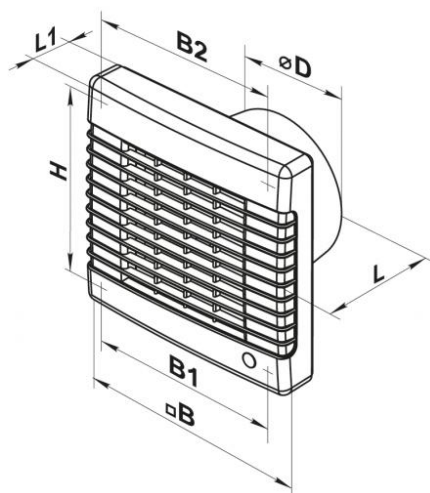


EVMA Helicoidal aspirator with automatic plastic damper



Description

Helicoidal aspirator for small rooms complete with automatic damper and very silent seven-blades impeller.



Characteristics

Material : ABS.
Colour: White.
Installation: on wall or ceiling.

Use

- bathrooms;
- Small rooms typically used where is necessary the air exchange.

dimensions

all measurements are in mm

modello	ØD	B	B1	B2	H	L	L1
EVMA 100	100	165	150	150	150	92	32
EVMA 125	125	190	174	128	173	98	33
EVMA 150	150	212	196	150	195	114	33

Operating data and price list

dB (A) : noise index.

T : Timer.

TP : Infrared.

Le prestazioni di portata aria riportata nella tabella si riferiscono ad una perdita di carico pari a 0 Pa.

Item normally available from stock

modello	potenza assorbita		dB(A) a 3 m	portata m ³ /h	peso kg	euro
	W					
EVMA 100	18		34	98	0,61	63,64 ✓
EVMA 100T	18		34	98	0,61	76,43 ✓
EVMA 100TP	18		34	98	0,61	120,41 ✓
EVMA 125	22		35	185	0,75	74,00 ✓
EVMA 125T	22		35	185	0,75	86,79 ✓
EVMA 125TP	22		35	185	0,75	130,77 ✓
EVMA 150	26		39	295	1,02	92,29 ✓
EVMA 150T	26		39	295	1,02	105,03 ✓
EVMA 150TP	26		39	295	1,02	149,11 ✓