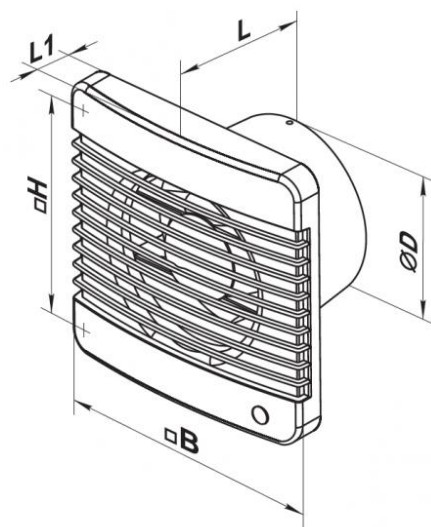


# EVM Plastic helicoidal aspirator



## Description

Helicoidal aspirator for small rooms equipped with light and very silent seven-blades impeller.



## Characteristics

Material : ABS.  
Colour: White.  
Installation: wall or ceiling.

## Use

- bathrooms;
- Small rooms where it is needed the air exchange.

## dimensions

all measurements are in mm

| model   | ØD  | B   | H   | L   | L1 |
|---------|-----|-----|-----|-----|----|
| EVM 100 | 100 | 159 | 135 | 89  | 23 |
| EVM 125 | 125 | 180 | 150 | 94  | 25 |
| EVM 150 | 150 | 206 | 182 | 106 | 26 |

## Operating data and price list

dB (A) : noise index.

T : Timer.

Le prestazioni di portata aria riportata nella tabella si riferiscono ad una perdita di carico pari a 0 Pa.

Item normally available from stock

| modello  | giri | potenza assorbita |       | V   | dB(A) a 3 m | pressione statica max Pa | portata m <sup>3</sup> /h | peso kg | euro    |
|----------|------|-------------------|-------|-----|-------------|--------------------------|---------------------------|---------|---------|
|          |      | W                 | A     |     |             |                          |                           |         |         |
| EVM 100  | 2300 | 14                | 0,085 | 230 | 34          | 35                       | 98                        | 0,55    | 39,27 ✓ |
| EVM 100T | 2300 | 14                | 0,085 | 230 | 34          | 35                       | 98                        | 0,55    | 49,47 ✓ |
| EVM 125  | 2400 | 16                | 0,10  | 230 | 35          | 55                       | 185                       | 0,71    | 42,87 ✓ |
| EVM 125T | 2400 | 16                | 0,10  | 230 | 35          | 55                       | 185                       | 0,71    | 55,55 ✓ |
| EVM 150  | 2400 | 24                | 0,13  | 230 | 39          | 88                       | 295                       | 0,89    | 67,76 ✓ |
| EVM 150T | 2400 | 24                | 0,13  | 230 | 39          | 88                       | 295                       | 0,89    | 83,88 ✓ |