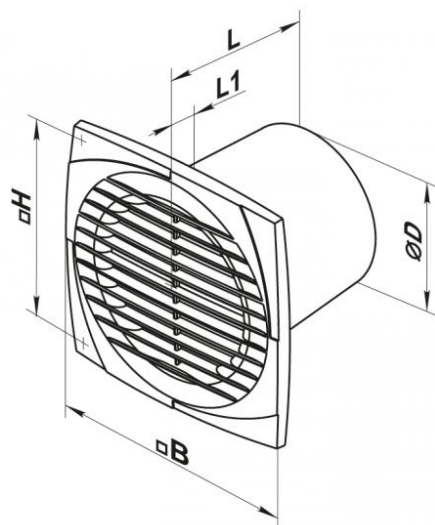


## EVD Plastic ultra-thin helicoidal aspirator



### Description

Helicoidal aspirator for small rooms with an ultra-flat profile and a very silent seven-blade impeller.



### Characteristics

Material : ABS.  
Colour: White.  
Installation: wall or ceiling.

### use

- bathrooms;
- Small rooms typically used where is necessary the air exchange.

### dimensions

all measurements are in mm

modello	ØD	B	H	L	L1
EVD 100	100	150	120	108,5	12,5
EVD 125	125	176	140	114	12,5
EVD 150	150	205	165	132	13

### Operating data and price list

dB (A) : noise index  
T : Timer

Item normally available from stock

modello	potenza assorbita		dB(A) a 3 ml	portata m <sup>3</sup> /h	peso kg	euro
	W					
EVD 100	14		34	95	0,58	31,98 ✓
EVD 100T	14		34	95	0,58	44,72 ✓
EVD 125	16		35	180	0,74	36,58 ✓
EVD 125T	16		35	180	0,74	49,42 ✓
EVD 150	24		38	292	0,92	53,81 ✓
EVD 150T	24		38	292	0,92	66,55 ✓