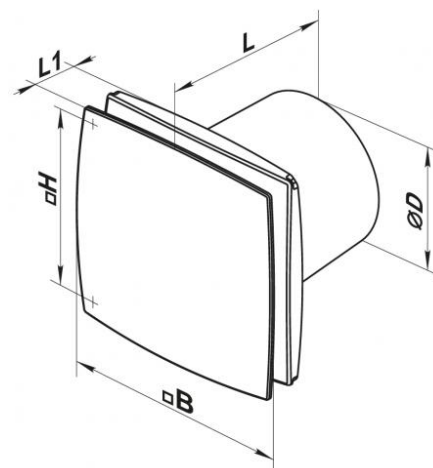


EVLD Plastic helicoidal aspirator



Description:

Plastic helicoidal aspirator suitable for small environments with particularly careful aesthetics.



Characteristics:

Material : ABS
Color : white
Installation : Wall

Use:

- bathrooms
- Small rooms typically used where is necessary the air exchange

Models :

EVLD standard
EVLDT with timer

dimensions

all measurements are in mm

model	ØD	B	H	L	L1
EVLD-100	100	152	120	126	30
EVLD-125	125	177	140	135	34
EVLD-150	150	206	165	154	36
EVLDT-100	100	152	120	126	30
EVLDT-125	125	177	140	135	34
EVLDT-150	150	206	165	154	36

Operating data and price list

dB (A) : noise index.

T : Timer.

Le prestazioni di portata aria riportata nella tabella si riferiscono ad una perdita di carico pari a 0 Pa.

Item normally available from stock

modello	giri	potenza assorbita		portata m ³ /h	dB(A) a 3 m	pressione statica Pa	peso kg	bianco
		W	A					euro
EVLD-100	2400	14	0,08	88	33	33	0,6	42,23 ✓
EVLD-125	2400	16	0,10	167	34	50	0,74	49,69 ✓
EVLD-150	2400	24	0,13	265	37	78	0,96	69,19 ✓
EVLD-100T	2400	14	0,08	88	33	33	0,6	55,02 ✓
EVLD-125T	2400	16	0,10	167	34	50	0,74	62,37 ✓
EVLD-150T	2400	24	0,13	265	37	78	0,96	81,98 ✓