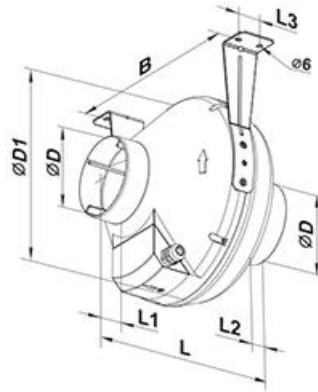


# EVVK In line fans for circular duct for pressure up to 500 Pa



## Description

Circular duct fan with external rotor single-phase motor.



## Characteristics

Material : high-strength plastic.  
 Colour: White.  
 Installation: on a circular channel.  
 Degree of protection : IPX4.

## Use

- Capacity from 60 to 1,700 m<sup>3</sup>/h;
- Static pressure until 500 Pa.

## Accessories

Electronic speed regulator : RCS 300.

## Dimensions

All dimensions are in millimeters.

model	ØD	ØD1	B	L	L1	L2	L3	peso kg
EVVK 100	100	250	270	230	30	27	30	2,01
EVVK 125	125	250	270	220	30	27	30	2,2
EVVK 150	150/160	300	310	286	30	30	30	2,45
EVVK 200	200	340	354	276	30	30	40	3
EVVKS 200	200	340	354	276	30	30	40	4,3
EVVK 250	250	340	354	265	30	30	40	4,3
EVVK 315	315	400	414	276	40	55	40	4,85
EVVKS 315	315	400	414	276	40	55	40	4,85

## Operating data and price list

dB(A) : noise index

Item normally available from stock

modello	giri	potenza assorbita		Temperatura aria di trasporto °C min - max	dB(A) a 3 m	pressione statica Pa								euro
		W	A			50	100	150	200	250	300	400	500	
EVVK 100	2820	80	0.34	-25 / +55	40	250	230	200	170	150	75	-	-	201,67
EVVK 125	2800	79	0.34	-25 / +55	40	355	300	250	200	150	60	-	-	207,57
EVVK 150	2725	80	0.35	-25 / +55	42	460	400	340	250	100	-	-	-	213,46
EVVK 200	2660	107	0.47	-25 / +55	46	780	700	600	500	200	-	-	-	297,19
EVVKS 200	2125	173	0.76	-25 / +55	48	930	800	760	700	600	500	300	-	307,20
EVVK 250	2090	173	0.76	-25 / +55	49	1080	1000	850	700	600	440	200	-	332,33
EVVK 315	2655	200	0.88	-25 / +55	48	1340	1200	1080	1000	800	680	380	-	344,92
EVVKS 315	2590	310	1.36	-25 / +45	57	1700	1580	1450	1300	1200	1100	820	500	444,44

## Speed control

Item normally available from stock

Modello	Euro
RCS 300	104,40