

# EVTT In line fans circular duct for pressure up to 200 Pa



## Description

Fans for circular duct, single-phase with 2 speeds.  
Removable fan motor assembly.

## Characteristics

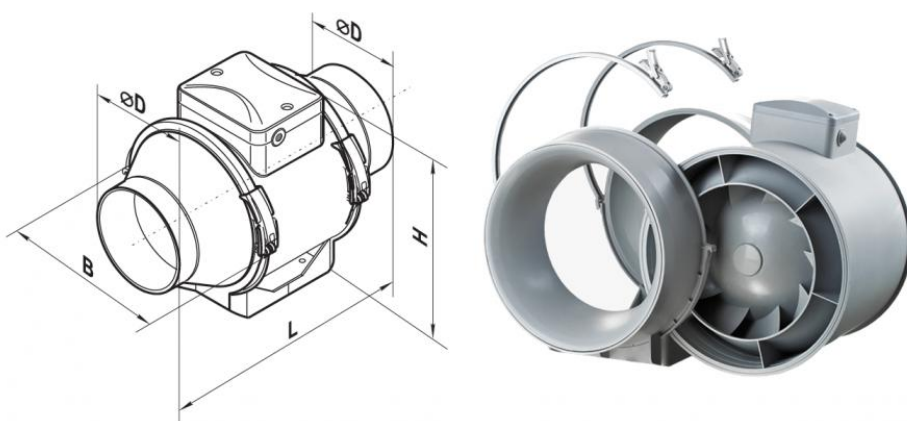
Material : high-strength plastic.  
Colour: White.  
Installation: on a circular duct.  
Degree of protection : IPX4.

## Use

- Flow rates from 30 to 1040 m<sup>3</sup>/h;  
- Static pressure up to 200 Pa.

## Accessories

Electronic speed regulator RCS 300



## Dimensions

All dimensions are in millimeters.

modello	Ø D (mm)	B (mm)	L (mm)	H (mm)	Peso (kg)
EVTT 100	96	167	246	190	1,45
EVTT 125	123	167	246	190	1,79
EVTT 125S	123	223	295	250	3,14
EVTT 150	146	223	295	250	3,19
EVTT PRO 200	199	239	295,5	261	3,95

## Operating data and price list

dB (A) : noise index to 3 m

modello	Velocità	giri r.p.m.	potenza assorbita		°C max	dB(A)	portata m <sup>3</sup> /h					
			W	A			0 Pa	40 Pa	80 Pa	100 Pa	150 Pa	200 Pa
EVTT 100	Max.	2385	33	0,21	60	36	187	160	55	30	-	-
	Min.	2180	21	0,11	60	27	145	100	40	15	-	-
EVTT 125	Max.	2455	37	0,27	60	37	280	220	80	50	-	-
	Min.	1950	23	0,18	60	28	220	190	35	-	-	-
EVTT 125S	Max.	2510	54	0,16	60	42	320	275	225	215	150	75
	Min.	1850	28	0,12	60	31	235	190	135	125	65	-
EVTT 150	Max.	2460	60	0,27	60	44	530	470	420	405	270	125
	Min.	1680	30	0,17	60	33	410	360	270	250	80	20
EVTT PRO 200	Max.	2380	108	0,48	60	52	1040	930	850	810	700	580
	Min.	1915	76	0,34	60	45	830	730	680	650	500	350

## Price list

Item normally available from stock

modello	euro
EVTT 100	88,73 ✓
EVTT 125	95,63 ✓
EVTT 125S	163,92 ✓
EVTT 150	168,67 ✓
EVTT PRO 200	279,94 ✓

## Speed control

Item normally available from stock

Modello	Euro
RCS 300	104,40 ▾