

EVEI Ducted helicoidal fans with "UNEL-MEC" motor



Description

EVEI line is suitable when large air capacities with relatively low pressures are required in duct mounted applications. For instance: ventilation and conditioning in naval and mining applications, evaporative towers, heat exchangers, cooling of electric and refrigerating equipments, etc. With this line is possible to attain higher pressures using the multistage version consisting of two single stages fans mounted in series, with contra-rotating impellers. This solution allows the recovery of the air rotative component turning it in pressure, developing up to 2.7 times the pressure of a single fan having the same geometry and speed. This line consists of 15 sizes with impeller diameter from 310 up to 1600 mm.

Caratteristiche

EVEI line is characterised by the extreme sturdiness of construction, thanks to the flanges directly bended on the casing, and the thickness of the materials. The variety of versions and models allows the solution of most of the problems of ventilation. Impeller consists of a strong hub, in die-cast aluminum alloy for the fixing of the blades. Available in different materials suitable for heavy duties. Casing in steel sheet protected with epoxy painting. Fixing flanges according to UNI- ISO 6580/EUROVENT 1-2 standards. Impeller with high efficiency airfoil blades in plastic material or in die-cast aluminum alloy. Hub in die-cast aluminum alloy. Balancing according to UNI ISO 1940. Variable pitch angle in still position. Asynchronous electric motor, protection IP 55, class F insulated, form B3, service S1 construction according to the IEC/EEC (UNEL-MEC) standard. Arrangement 4 (impeller directly coupled to motor shaft). Conveyed air: clean, not abrasive. Temperature of conveyed air: -20°C/+50°C. Voltage: three phase version (T) 400V-3Ph. Single phase version (M) 230V-1Ph. Frequency: 50Hz. Air flow from motor to impeller.

Versions

MEDIUM CASE: motor / impeller unit almost completely included in the case length

LONG CASE: Motor / impeller unit completely "included" in the case length.

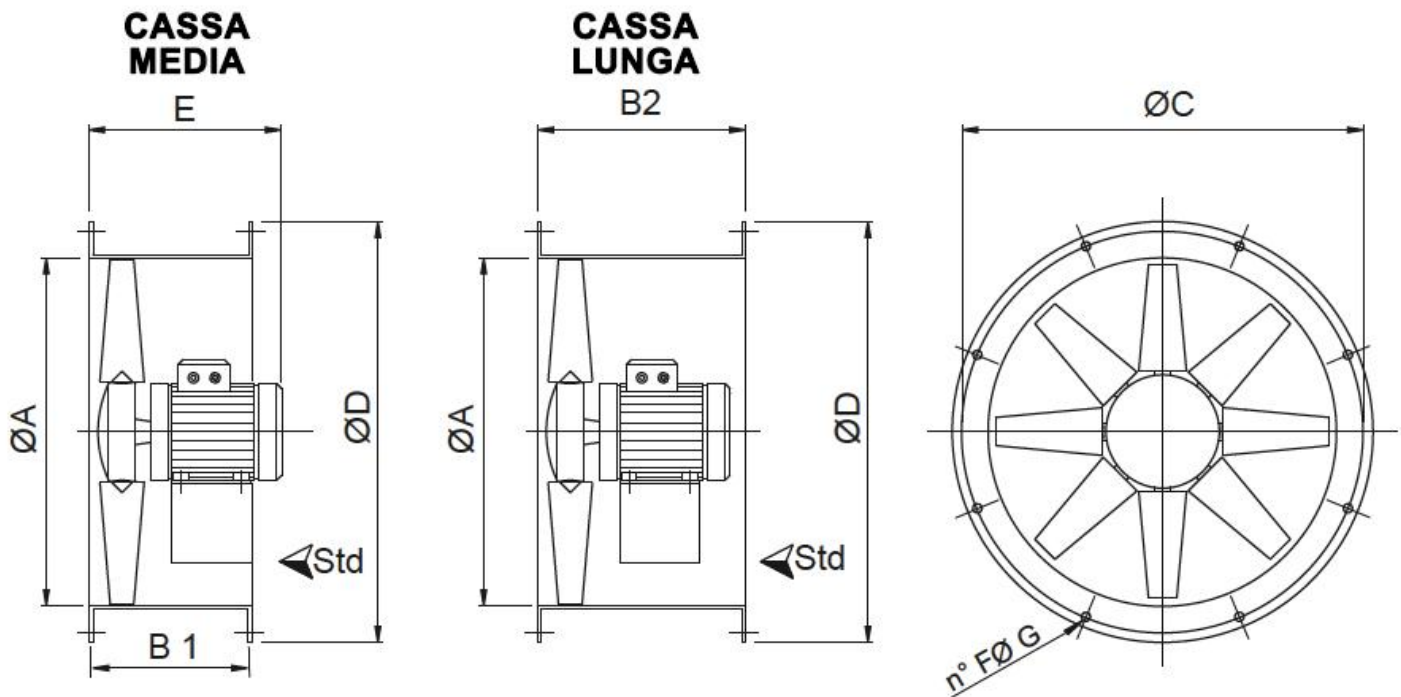
Accessories

Inlet nozzle.
Silencers.
Flat protection grid and conic (Necessary for use in free air)
Inspection door.
Flexible connection.
Antivibration mounts.
Counter flange.
Outer terminal box.
Fixing feet.
Service switch.

On request

Performance other than represented
Versions with impeller with aluminum blades.
Versions with "actually" reversible air flow.
Atex versions.
Multistage versions.
Versions for smoke fumes.
Versions with conveyor in stainless steel or aluminum or hot galvanized sheet.
Versions with air flow from impeller to motor.
Prezzi versione monofase 4 poli a richiesta (modelli: 31A-35A-40A-40B-45A).

Dimensions



All dimensions are expressed in mm.

Modello	A	grandezza motore	B1	B2	C	D	*E	F	G	*Kg	*Kg
			CASSA MEDIA	CASSA LUNGA						CASSA MEDIA	CASSA LUNGA
31	310	56-63	260	400	355	390	250/320	8	10	13/17	13/19
35	360	56-71	260	400	395	430	250/320	8	10	14/19	14/22
40	410	63-80	260	400	450	490	300/380	8	12	16/24	19/27
45	460	71-80	260	450	500	540	350/390	8	12	21/30	23/33
50	510	71-80	260	450	560	595	350/390	12	12	24/35	27/38
56	570	71-90	260	450	620	655	350/390	12	12	28/37	34/43
63	640	90-100	350	500	690	725	400/490	12	12	37/54	44/61
71	710	90-112	350	600	770	805	400/490	16	12	44/67	53/77
80	810	90-132	450	600	860	900	450/610	16	12	54/110	60/115
90	910	100-132	450	700	970	1010	450/690	16	16	87/169	105/187
100	1010	100-160	560	800	1070	1110	700/830	16	16	107/330	123/346
		180	800	900							
112	1130	132	560	800	1190	1230	700/880	20	16	136/355	157/455
		160-200	800	900							
		225	800	1000							
		250	900	1150							
125	1260	132	560	800	1320	1360	700/1000	20	16	169/451	192/545
		160-200	800	900							
		225	800	1000							
		250-280	900	1150							
140	1400	160-225	800	1000	1470	1520	900/1000	20	16	381/895	411/935
		250-280	900	1150							
160	1610	160-255	800	1000	1680	1730	900/1100	24	20	489/963	519/1013
		250-280	900	1150							

*Indicative.

Performances

Le prestazioni indicate si riferiscono ad aria alla temperatura di 15°C ed all'altitudine di 0 mt s.l.m., e sono state ottenute in assenza di reti e accessori.

Tolleranze: prestazioni aerauliche e rumorosità rientrano nelle tolleranze indicate nella norma DIN 24166, Classe 2.

-Le prestazioni di portata aria riportata nelle tabelle si riferiscono ad una perdita di carico pari a 0 Pa.

* Solo per installazione extra U.E

2 poli (3000 rpm) - trifase (3Ph-400V 50Hz)							
Modello	Poli	Tipo motore	Portata (m ³ /h)	Pm (kW)	In max (A)	Mot. (H)	Lp dB(A)
31	2P	A	3500	0,25	0,7	63	70
35	2P	A	5200	0,55	1,6	71	74
40	2P	A	8200	1,1	2,6	80	79

4 poli (1500 rpm) - monofase (1Ph-230V 50Hz)							
Modello	Poli	Tipo motore	Portata (m ³ /h)	Pm (kW)	In max (A)	Mot. (H)	Lp dB(A)
31	4P	A	2.300	0,09	1	56	52
35	4P	A	3.200	0,09	1	56	56
40*	4P	A	4.000	0,12	1,1	63	61
40*	4P	B	5.200	0,18	1,4	63	62
45*	4P	A	6.500	0,25	1,8	71	65

4 poli (1500 rpm) - trifase (3Ph-400V 50Hz)

Modello	Poli	Tipo motore	Portata (m ³ /h)	Pm (kW)	In max (A)	Mot. (H)	Lp dB(A)
31	4P	A	2.300	0,09	0,4	56	52
35	4P	A	3.200	0,09	0,4	56	56
40*	4P	A	4.000	0,12	0,5	63	61
40	4P	B	5.200	0,18	0,6	63	62
45	4P	A	6.500	0,25	0,8	71	65
45	4P	B	7.600	0,37	1,2	71	66
50*	4P	A	8.000	0,37	1,2	71	68
50	4P	B	9.000	0,55	1,6	71	69
56*	4P	A	10.000	0,55	1,6	80	71
56	4P	B	12.500	0,75	2	80	72
63	4P	A	13.000	0,75	2	80	75
63	4P	B	16.000	1,1	2,8	90	76
63	4P	C	17.000	2,2	5	100	76
71	4P	A	17.000	1,5	3,5	90	77
71	4P	B	20.500	2,2	5	100	77
71	4P	C	18.500	2,2	5	100	77
71	4P	D	23.500	3	6,5	100	79
80	4P	A	24.000	3	6,5	100	78
80	4P	B	29.000	4	8,2	112	79
80	4P	C	35.000	5,5	11	132	80
80	4P	D	40.000	7,5	15	132	80
90	4P	A	38.000	5,5	11	132	85
90	4P	B	43.000	7,5	15	132	86
90	4P	C	47.000	7,5	15	132	86
90	4P	D	52.500	9,2	18	132	86
100	4P	A	41.000	5,5	11	132	88
100	4P	B	50.000	7,5	15	132	89
100	4P	C	59.000	11	21	160	89
100	4P	D	65.000	15	27,8	160	90
100	4P	E	72.500	18,5	32,6	180	90
112	4P	A	80.000	18,5	32,6	180	93
112	4P	B	87.000	22	38,8	180	94
112	4P	C	100.000	30	53	200	94
125	4P	A	95.000	22	38,8	180	97
125	4P	B	110.000	30	53	200	98
125	4P	C	125.000	37	64	225	98

6 poli (1000 rpm) - trifase (3Ph-400V 50Hz)

Modello	Poli	Tipo motore	Portata (m ³ /h)	Pm (kW)	In max (A)	Mot. (H)	Lp dB(A)
50*	6P	A	6.000	0,18	0,7	71	58
56	6P	A	8.500	0,25	1	71	62
63	6P	A	12.500	0,37	1,3	80	66
63	6P	B	14.000	0,75	2,2	90	65
71	6P	A	16.000	0,75	2,2	90	67
71	6P	B	17.000	1,1	3	90	66
80	6P	A	16.000	0,75	2,2	90	68
80	6P	B	19.000	1,1	3	90	68
80	6P	C	22.500	1,5	4	100	69
90	6P	A	25.000	1,5	4	100	75
90	6P	B	29.000	2,2	5	112	75
90	6P	C	32.000	2,2	5	112	75
100	6P	A	27.000	1,5	4	100	79
100	6P	B	33.000	2,2	5	112	79
100	6P	C	41.000	3	7	132	80
112	6P	B	45.000	4	9	132	83
112	6P	C	54.000	5,5	12	132	83
125	6P	B	61.000	7,5	15	160	87
125	6P	C	73.000	11	22	160	88
125	6P	D	85.000	11	22	160	88
140	6P	A	115.000	18,5	35	200	91

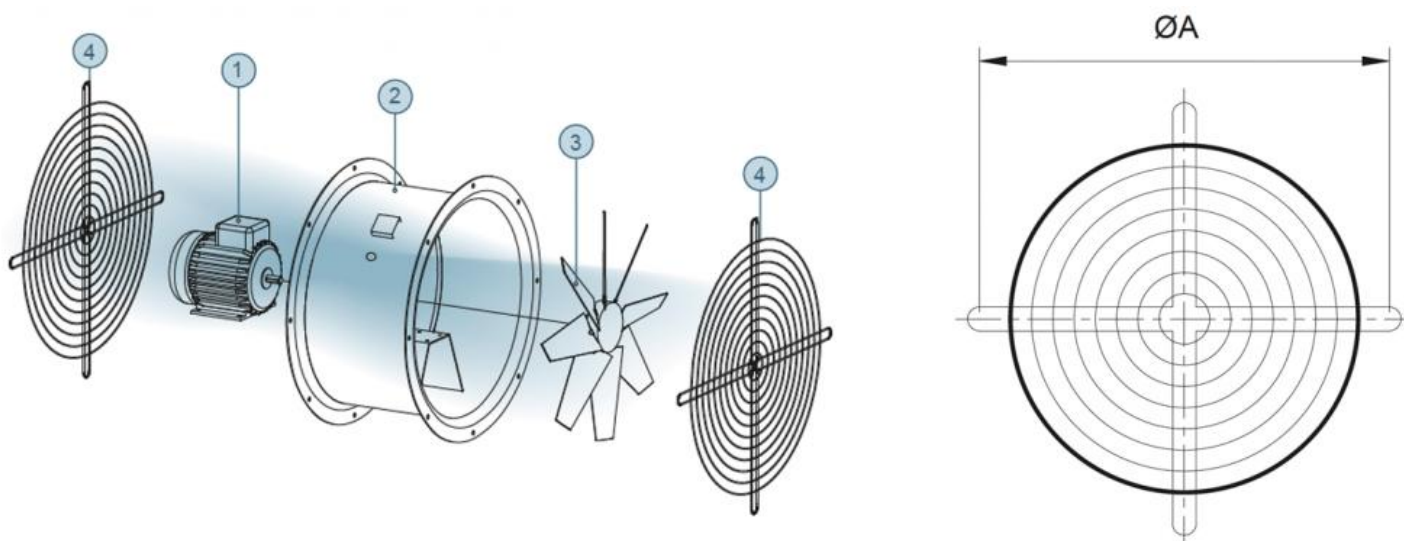
8 poli (750 rpm) - trifase (3Ph-400V 50Hz)

Modello	Poli	Tipo motore	Portata (m ³ /h)	Pm (kW)	In max (A)	Mot. (H)	Lp dB(A)
56	8P	A	6.000	0,12	0,7	71	56
63*	8P	A	8.000	0,18	0,8	80	60
71*	8P	A	11.000	0,37	1,5	90	61
80*	8P	A	10.000	0,37	1,5	90	61
80*	8P	B	13.000	0,37	1,5	90	62
90	8P	A	17.000	0,75	2,3	100	69
90	8P	B	20.500	0,75	2,3	100	69
100	8P	A	20.500	0,75	2,3	100	74
100	8P	B	25.000	1,1	3,4	100	74
112	8P	C	40.500	2,2	5,5	132	77
125	8P	A	34.500	2,2	5,5	132	81
125	8P	B	43.000	3	7,3	132	81
125	8P	C	52.000	4	9,3	160	82
125	8P	D	59.000	4	9,3	160	82
140	8P	A	87.000	7,5	14,7	160	85

Rete antinfortunistica

They preserve from the casual contact with the rotating parts of the fan. Manufactured in steel rod according to UNI EN ISO 12499, EUROVENT1/3 standards and protected against the atmospheric agents (Necessary for use in free air).

Modello EVEI	Ø A	Kg
31	355	0,6
35	395	0,6
40	450	0,9
45	500	1
50	560	1,3
56	620	1,5
63	690	1,8
71	770	2,5
80	860	3
90	970	4
100	1070	5
112	1190	8
125	1320	10
140	1470	14
160	1680	20



- 1 - Motor.
- 2 - Casing.
- 3 - Impeller.
- 4 - Mesh "accessory" (mandatory for free air)

Listino prezzi 2 poli trifase

Item normally available from stock							
Modello EVEI	Poli	Tipo motore	Cassa	Euro	Inverter IP20		
					Modello	Euro	
31	2P	A	LUNGA	1020,30	M130L	694,86	
35	2P	A	LUNGA	1157,10	M130L	694,86	
40	2P	A	LUNGA	1459,20	M130M	819,20	
31	2P	A	MEDIA	963,30	M130L	694,86	
35	2P	A	MEDIA	1081,10	M130L	694,86	
40	2P	A	MEDIA	1349,00	M130M	819,20	

Listino prezzi 4 poli trifase

Item normally available from stock	

Modello EVEI	Poli	Tipo motore	Cassa	Euro	Inverter IP20	
					Modello	Euro
35	4P	A	LUNGA	961,40	M130L	694,86
40	4P	A	LUNGA	1092,50	M130L	694,86
45	4P	A	LUNGA	1257,80	M130L	694,86
50	4P	A	LUNGA	1394,60	M130L	694,86
56	4P	A	LUNGA	1672,00	M130L	694,86
63	4P	A	LUNGA	1901,90	M130L	694,86
71	4P	A	LUNGA	2338,90	M130M	819,20
80	4P	A	LUNGA	3100,80	M130Q	1151,52
90	4P	A	LUNGA	4744,30	M130R	1645,06
100	4P	A	LUNGA	5354,20	M130R	1645,06
31	4P	A	MEDIA	870,20	M130L	694,86
35	4P	A	MEDIA	891,10	M130L	694,86
40	4P	A	MEDIA	993,70	M130L	694,86
45	4P	A	MEDIA	1126,70	M130L	694,86
50	4P	A	MEDIA	1259,70	M130L	694,86
56	4P	A	MEDIA	1508,60	M130L	694,86
63	4P	A	MEDIA	1751,80	M130L	694,86
71	4P	A	MEDIA	2133,70	M130M	819,20
80	4P	A	MEDIA	2948,80	M130Q	1151,52
90	4P	A	MEDIA	4436,50	M130R	1645,06
100	4P	A	MEDIA	4721,50	M130R	1645,06
40	4P	B	LUNGA	1107,70	M130L	694,86
45	4P	B	LUNGA	1301,50	M130L	694,86
50	4P	B	LUNGA	1584,60	M130L	694,86
56	4P	B	LUNGA	1814,50	M130L	694,86
63	4P	B	LUNGA	2053,90	M130M	819,20
71	4P	B	LUNGA	2688,50	M130P	1009,37
80	4P	B	LUNGA	3454,20	M130Q	1151,52
90	4P	B	LUNGA	5063,50	M130S	1850,70
100	4P	B	LUNGA	5673,40	M130S	1850,70
40	4P	B	MEDIA	1008,90	M130L	694,86
45	4P	B	MEDIA	1168,50	M130L	694,86
50	4P	B	MEDIA	1444,00	M130L	694,86
56	4P	B	MEDIA	1647,30	M130L	694,86
63	4P	B	MEDIA	1901,90	M130M	819,20
71	4P	B	MEDIA	2473,80	M130P	1009,37
80	4P	B	MEDIA	3292,70	M130Q	1151,52
90	4P	B	MEDIA	4748,10	M130S	1850,70
100	4P	B	MEDIA	5033,10	M130S	1850,70
63	4P	C	LUNGA	2677,10	M130P	1009,37
71	4P	C	LUNGA	2844,30	M130P	1009,37
90	4P	C	LUNGA	5063,50	M130S	1850,70
100	4P	C	LUNGA	7153,50	M130T	2303,09
63	4P	C	MEDIA	2508,00	M130P	1009,37
71	4P	C	MEDIA	2623,90	M130P	1009,37
80	4P	C	MEDIA	3952,00	M130R	1645,06
90	4P	C	MEDIA	4748,10	M130S	1850,70
100	4P	C	MEDIA	6473,30	M130T	2303,09
71	4P	D	LUNGA	3021,00	M130Q	1151,52
80	4P	D	LUNGA	4449,80	M130S	1850,70
90	4P	D	LUNGA	5548,00	M130T	2303,09
100	4P	D	LUNGA	8177,60	M130W	3043,36
71	4P	D	MEDIA	2796,80	M130Q	1151,52
80	4P	D	MEDIA	4261,70	M130S	1850,70
90	4P	D	MEDIA	5219,30	M130T	2303,09
100	4P	D	MEDIA	7470,80	M130W	3043,36
100	4P	E	LUNGA	10805,30	M130X	3495,75
100	4P	E	MEDIA	10366,40	M130X	3495,75

Listino prezzi 6 poli trifase

Item normally available from stock

Modello EVEI	Poli	Tipo motore	Cassa	Euro	Inverter IP20	
					Modello	Euro
50	6P	A	LUNGA	1392,70	M130L	694,86
56	6P	A	LUNGA	1556,10	M130L	694,86
63	6P	A	LUNGA	2156,50	M130L	694,86
71	6P	A	LUNGA	2196,40	M130L	694,86
80	6P	A	LUNGA	2432,00	M130L	694,86
90	6P	A	LUNGA	3572,00	M130M	819,20
100	6P	A	LUNGA	4183,80	M130M	819,20
50	6P	A	MEDIA	1257,80	M130L	694,86
56	6P	A	MEDIA	1394,60	M130L	694,86
63	6P	A	MEDIA	2000,70	M130L	694,86
71	6P	A	MEDIA	1995,00	M130L	694,86
80	6P	A	MEDIA	2297,10	M130L	694,86
90	6P	A	MEDIA	3296,50	M130M	819,20
100	6P	A	MEDIA	3581,50	M130M	819,20
63	6P	B	LUNGA	2186,90	M130L	694,86
71	6P	B	LUNGA	2481,40	M130M	819,20
80	6P	B	LUNGA	2561,20	M130M	819,20
90	6P	B	LUNGA	3927,30	M130P	1009,37
100	6P	B	LUNGA	4537,20	M130P	1009,37
63	6P	B	MEDIA	2031,10	M130L	694,86
71	6P	B	MEDIA	2272,40	M130M	819,20
80	6P	B	MEDIA	2424,40	M130M	819,20
90	6P	B	MEDIA	3640,40	M130P	1009,37
100	6P	B	MEDIA	3925,40	M130P	1009,37
80	6P	C	LUNGA	2958,30	M130M	819,20
90	6P	C	LUNGA	3927,30	M130P	1009,37
100	6P	C	LUNGA	5202,20	M130Q	1151,52
80	6P	C	MEDIA	2810,10	M130M	819,20
90	6P	C	MEDIA	3640,40	M130P	1009,37
100	6P	C	MEDIA	4573,30	M130Q	1151,52

Listino prezzi 8 poli trifase

Item normally available from stock						
Modello EVEI	Poli	Tipo motore	Cassa	Euro	Inverter IP20	
					Modello	Euro
56	8P	A	LUNGA	1679,60	M130L	694,86
63	8P	A	LUNGA	1784,10	M130L	694,86
71	8P	A	LUNGA	2209,70	M130L	694,86
80	8P	A	LUNGA	2445,30	M130L	694,86
90	8P	A	LUNGA	3490,30	M130M	819,20
100	8P	A	LUNGA	4102,10	M130M	819,20
56	8P	A	MEDIA	1516,20	M130L	694,86
63	8P	A	MEDIA	1637,80	M130L	694,86
71	8P	A	MEDIA	2008,30	M130L	694,86
80	8P	A	MEDIA	2310,40	M130L	694,86
90	8P	A	MEDIA	3216,70	M130M	819,20
100	8P	A	MEDIA	3501,70	M130M	819,20
80	8P	B	LUNGA	2445,30	M130L	694,86
90	8P	B	LUNGA	3490,30	M130M	819,20
100	8P	B	LUNGA	4220,60	M130M	819,20
80	8P	B	MEDIA	2310,40	M130L	694,86
90	8P	B	MEDIA	3216,70	M130M	819,20
100	8P	B	MEDIA	3661,30	M130M	819,20