

# EVTO Roof fan with horizontal jet



## Description

Centrifugal roof extractors with backward curved blades, in galvanized sheet and plastic cap resistant to atmospheric agents.

## Characteristics

material :

- Base , network and steel impeller galvanized;
- Cap in plastic material.

Installation : Roof.

## use

Extracting stale air from kitchens, toilets, sheds with maximum temperature of 80 ° C in continuous service .

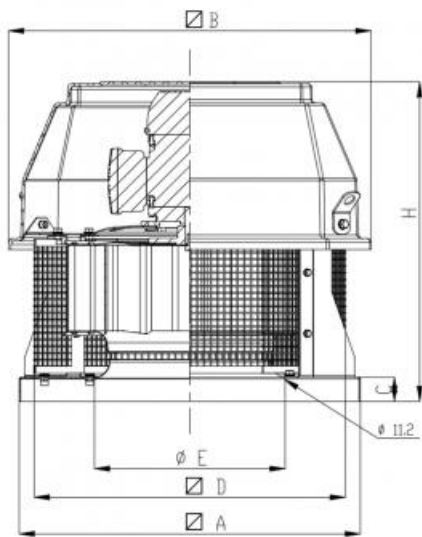
Flow rates from 300 to 18,000 m<sup>3</sup>/h.  
Static pressure up to 600 Pa .

## Accessories

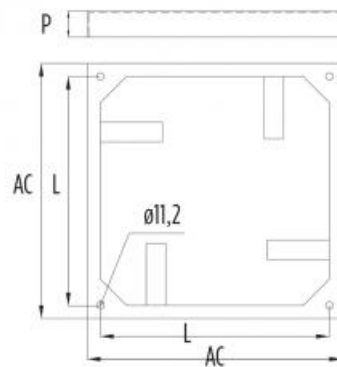
- Damper gravity;
- Counterbase to wall;
- Single-phase speed controllers;
- inverter.

## On demand

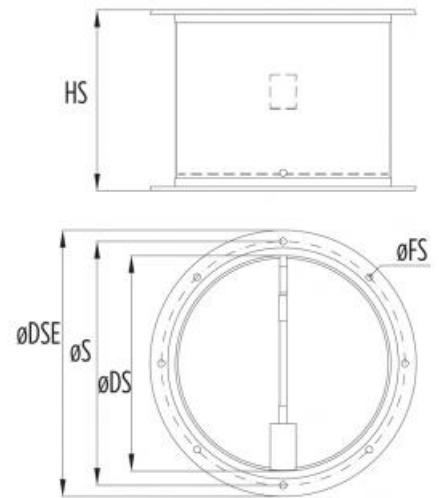
ATEX executions.



## Controbasse a murare



## Serranda a gravità



## dimensions torrini

all measurements are in mm

| modello | A   | B    | C  | D   | ØE  | H   | kg  |
|---------|-----|------|----|-----|-----|-----|-----|
| 05      | 400 | 470  | 40 | 350 | 200 | 460 | 14  |
| 20      | 400 | 470  | 40 | 350 | 250 | 460 | 18  |
| 30      | 560 | 595  | 40 | 460 | 300 | 560 | 25  |
| 40      | 560 | 595  | 40 | 460 | 350 | 560 | 30  |
| 50      | 710 | 800  | 40 | 610 | 400 | 620 | 40  |
| 60      | 710 | 800  | 40 | 610 | 450 | 620 | 48  |
| 70      | 900 | 1000 | 40 | 800 | 500 | 790 | 57  |
| 80      | 900 | 1000 | 45 | 800 | 550 | 830 | 76  |
| 90      | 900 | 1000 | 45 | 800 | 600 | 870 | 96  |
| 100     | 900 | 1000 | 45 | 800 | 600 | 880 | 110 |

## dimensions accessories

all measurements are in mm

| modello | controbasse a murare |     |    | serranda a gravità |     |      |      |     |
|---------|----------------------|-----|----|--------------------|-----|------|------|-----|
|         | AC                   | L   | P  | ØDS                | ØS  | ØDSE | ØFS  | HS  |
| 05      | 390                  | 350 | 40 | 200                | 235 | 259  | 3x8M | 150 |
| 20      | 390                  | 350 | 40 | 250                | 283 | 309  | 3x8M | 210 |
| 30      | 550                  | 460 | 40 | 300                | 330 | 359  | 3x8M | 210 |
| 40      | 550                  | 460 | 40 | 350                | 381 | 409  | 4x8M | 230 |
| 50      | 700                  | 610 | 40 | 400                | 431 | 460  | 4x8M | 250 |
| 60      | 700                  | 610 | 40 | 450                | 485 | 510  | 5x8M | 300 |
| 70      | 890                  | 800 | 40 | 500                | 533 | 560  | 5x8M | 300 |
| 80      | 890                  | 800 | 45 | 550                | 585 | 620  | 6x8M | 320 |
| 90      | 890                  | 800 | 45 | 600                | 636 | 661  | 7x8M | 320 |
| 100     | 890                  | 800 | 45 | 600                | 636 | 661  | 7x8M | 320 |

## Operating data

P4 : 4-pole motor  
P6 : 6-pole motor  
P8 : 8 pole motor

LP: Potenza Sonora [dB(A)]. Livello di pressione sonora alla distanza di 5 mt. con macchina appoggiata su un piano orizzontale in campo libero.

| modello | velocità giri/min | potenza kW | portata m <sup>3</sup> /h |       |        |        |        |        |        |        |        |        | LP dB (A) |    |
|---------|-------------------|------------|---------------------------|-------|--------|--------|--------|--------|--------|--------|--------|--------|-----------|----|
|         |                   |            | 10 Pa                     | 50 Pa | 100 Pa | 150 Pa | 200 Pa | 250 Pa | 300 Pa | 400 Pa | 500 Pa | 600 Pa |           |    |
| 05 P4   | 1400              | 0.12       | 1150                      | 950   | 800    | 600    |        |        |        |        |        |        |           | 52 |
| 05 P6   | 900               | 0.09       | 700                       | 480   |        |        |        |        |        |        |        |        |           | 42 |
| 20 P4   | 1400              | 0.18       | 1800                      | 1700  | 1500   | 1300   | 1000   | 750    |        |        |        |        |           | 58 |
| 20 P6   | 900               | 0.09       | 1200                      | 900   | 570    |        |        |        |        |        |        |        |           | 49 |
| 30 P4   | 1400              | 0.25       | 3050                      | 2800  | 2600   | 2400   | 2100   | 1800   | 1450   |        |        |        |           | 61 |
| 30 P6   | 900               | 0.18       | 1900                      | 1700  | 1200   | 650    |        |        |        |        |        |        |           | 51 |
| 30 P8   | 700               | 0.12       | 1400                      | 1100  |        |        |        |        |        |        |        |        |           | 49 |
| 40 P4   | 1400              | 0.37       | 4050                      | 3800  | 3600   | 3400   | 3100   | 2800   | 2400   | 1600   |        |        |           | 62 |
| 40 P6   | 900               | 0.18       | 2600                      | 2300  | 1600   | 1300   |        |        |        |        |        |        |           | 52 |
| 40 P8   | 700               | 0.12       | 1550                      | 1180  |        |        |        |        |        |        |        |        |           | 50 |
| 50 P4   | 1400              | 0.75       | 5700                      | 5500  | 5300   | 4800   | 4600   | 4300   | 3800   | 3000   | 1900   |        |           | 67 |
| 50 P6   | 900               | 0.37       | 3700                      | 3200  | 2800   | 2200   | 1400   |        |        |        |        |        |           | 57 |
| 50 P8   | 700               | 0.18       | 2320                      | 1920  | 1400   |        |        |        |        |        |        |        |           | 55 |
| 60 P4   | 1400              | 1.5        | 8100                      | 7800  | 7500   | 7400   | 7000   | 6500   | 6300   | 5400   | 4300   | 2800   |           | 70 |
| 60 P6   | 900               | 0.37       | 5200                      | 4800  | 4300   | 3700   | 2800   | 1700   |        |        |        |        |           | 59 |
| 60 P8   | 700               | 0.18       | 3400                      | 3000  | 2500   | 1700   |        |        |        |        |        |        |           | 54 |
| 70 P6   | 900               | 0.75       | 7000                      | 6800  | 6100   | 5500   | 5000   | 4300   | 3600   |        |        |        |           | 63 |
| 70 P8   | 700               | 0.37       | 4700                      | 4200  | 3400   | 2900   | 1700   |        |        |        |        |        |           | 56 |
| 80 P6   | 900               | 1.1        | 10800                     | 10500 | 9700   | 9000   | 8300   | 7200   | 6800   | 4500   |        |        |           | 67 |
| 80 P8   | 700               | 0.55       | 8300                      | 7000  | 6250   | 5300   | 4500   | 3250   |        |        |        |        |           | 59 |
| 90 P6   | 900               | 2.2        | 13750                     | 13600 | 12500  | 12000  | 11500  | 10500  | 9000   | 7500   | 4500   |        |           | 72 |
| 90 P8   | 700               | 1.1        | 9500                      | 8600  | 7800   | 6900   | 6000   | 4800   | 3300   |        |        |        |           | 63 |
| 100 P6  | 900               | 3          | 18500                     | 17500 | 16800  | 16500  | 15500  | 14500  | 13750  | 12000  | 9000   | 6500   |           | 76 |
| 100 P8  | 700               | 2.2        | 12800                     | 12500 | 11900  | 11200  | 9500   | 8700   | 7300   | 1500   |        |        |           | 66 |

## Speed control:

| Item normally available from stock |             |                      |           |
|------------------------------------|-------------|----------------------|-----------|
| modello                            | potenza kW  | Tipo regolatore      | Euro      |
| 05 P4 M                            | 0,12        | Regolatore digitale  | 416,57 ✓  |
| 05 P4 T                            | 0,12        | Inverter             | 694,86 ✓  |
| 05 P6 T                            | 0,09        | Inverter             | 694,86 ✓  |
| 20 P4 M                            | 0,18        | Regolatore digitale  | 416,57 ✓  |
| 20 P4 T                            | 0,18        | Inverter             | 694,86 ✓  |
| 20 P6 T                            | 0,09        | Inverter             | 694,86 ✓  |
| 20 P4/6 T                          | 0,26 / 0,09 | Selettore 2 velocità | 442,61 ✓  |
| 30 P4 M                            | 0,25        | Regolatore digitale  | 416,57 ✓  |
| 30 P4 T                            | 0,25        | Inverter             | 694,86 ✓  |
| 30 P6 T                            | 0,18        | Inverter             | 694,86 ✓  |
| 30 P8 T                            | 0,12        | Inverter             | 694,86 ✓  |
| 30 P4/6 T                          | 0,26 / 0,09 | Selettore 2 velocità | 442,61 ✓  |
| 40 P4 M                            | 0,37        | Regolatore digitale  | 416,57 ✓  |
| 40 P4 T                            | 0,37        | Inverter             | 694,86 ✓  |
| 40 P6 T                            | 0,18        | Inverter             | 694,86 ✓  |
| 40 P8 T                            | 0,12        | Inverter             | 694,86 ✓  |
| 40 P4/6 T                          | 0,55 / 0,18 | Selettore 2 velocità | 442,61 ✓  |
| 50 P4 M                            | 0,75        | Regolatore digitale  | 676,93 ✓  |
| 50 P4 T                            | 0,75        | Inverter             | 819,20 ✓  |
| 50 P6 T                            | 0,37        | Inverter             | 819,20 ✓  |
| 50 P8 T                            | 0,18        | Inverter             | 819,20 ✓  |
| 50 P4/6 T                          | 0,75 / 0,25 | Selettore 2 velocità | 442,61 ✓  |
| 50 P6/8 T                          | 0,37 / 0,15 | Selettore 2 velocità | 442,61 ✓  |
| 60 P4 T                            | 1,5         | Inverter             | 819,20 ✓  |
| 60 P6 T                            | 0,37        | Inverter             | 819,20 ✓  |
| 60 P8 T                            | 0,18        | Inverter             | 819,20 ✓  |
| 60 P4/6 T                          | 1,1 / 0,37  | Selettore 2 velocità | 442,61 ✓  |
| 60 P6/8 T                          | 0,37 / 0,15 | Selettore 2 velocità | 442,61 ✓  |
| 70 P4 T                            | 2,2         | Inverter             | 1009,37 ✓ |
| 70 P6 T                            | 0,75        | Inverter             | 694,86 ✓  |
| 70 P8 T                            | 0,37        | Inverter             | 694,86 ✓  |
| 70 P4/6 T                          | 2,2 / 0,75  | Non disponibile      | -         |
| 70 P6/8 T                          | 1,25 / 0,60 | Selettore 2 velocità | 442,61 ✓  |
| 80 P6 T                            | 1,1         | Inverter             | 819,20 ✓  |
| 80 P8 T                            | 0,55        | Inverter             | 819,20 ✓  |
| 80 P6/8 T                          | 1,25 / 0,60 | Selettore 2 velocità | 442,61 ✓  |
| 90 P6 T                            | 2,2         | Inverter             | 1009,37 ✓ |
| 90 P8 T                            | 1,1         | Inverter             | 819,20 ✓  |
| 90 P6/8 T                          | 1,84 / 0,81 | Non disponibile      | -         |
| 100 P6 T                           | 3           | Inverter             | 1151,52 ✓ |
| 100 P8 T                           | 2,2         | Inverter             | 1151,52 ✓ |
| 100 P6/8 T                         | 3 / 1,5     | Non disponibile      | -         |

## Price list

Version 2015 ERP

Item normally available  
from stock

| modello  | torrino trifase EVTO | torrino monofase EVTO |
|----------|----------------------|-----------------------|
|          | euro                 | euro                  |
| 05 P4    | 1518,75 ∨            | 1362,54 ∨             |
| 05 P6    | 1431,96 ∨            |                       |
| 20 P4    | 1562,14 ∨            | 1388,57 ∨             |
| 20 P6    | 1475,36 ∨            |                       |
| 20 P4/6  | 1709,68 ∨            |                       |
| 30 P4    | 1562,14 ∨            | 1666,29 ∨             |
| 30 P6    | 1701,00 ∨            |                       |
| 30 P8    | 1727,04 ∨            |                       |
| 30 P4/6  | 1909,29 ∨            |                       |
| 40 P4    | 1770,43 ∨            | 1805,14 ∨             |
| 40 P6    | 1865,89 ∨            |                       |
| 40 P8    | 1770,43 ∨            |                       |
| 40 P4/6  | 1909,29 ∨            |                       |
| 50 P4    | 2516,79 ∨            | 2273,79 ∨             |
| 50 P6    | 2430,00 ∨            |                       |
| 50 P8    | 2534,14 ∨            |                       |
| 50 P4/6  | 2690,36 ∨            |                       |
| 50 P6/8  | 2646,96 ∨            |                       |
| 60 P4    | 2916,00 ∨            |                       |
| 60 P6    | 2898,64 ∨            |                       |
| 60 P8    | 2872,61 ∨            |                       |
| 60 P4/6  | 3280,50 ∨            |                       |
| 60 P6/8  | 2933,36 ∨            |                       |
| 70 P6    | 3436,71 ∨            |                       |
| 70 P8    | 3280,50 ∨            |                       |
| 70 P6/8  | 3974,79 ∨            |                       |
| 80 P6    | 3645,00 ∨            |                       |
| 80 P8    | 3462,75 ∨            |                       |
| 80 P6/8  | 4669,07 ∨            |                       |
| 90 P6    | 4443,43 ∨            |                       |
| 90 P8    | 4148,36 ∨            |                       |
| 90 P6/8  | 5198,46 ∨            |                       |
| 100 P6   | 5007,54 ∨            |                       |
| 100 P8   | 5024,89 ∨            |                       |
| 100 P6/8 | 6934,18 ∨            |                       |

## Accessories:

| Modello | Serranda di gravità | Controbasse a murare |
|---------|---------------------|----------------------|
| 05      | 234,32 ∨            | 199,61 ∨             |
| 20      | 251,68 ∨            | 199,61 ∨             |
| 30      | 255,15 ∨            | 208,29 ∨             |
| 40      | 277,71 ∨            | 208,29 ∨             |
| 50      | 286,39 ∨            | 225,64 ∨             |
| 60      | 321,11 ∨            | 225,64 ∨             |
| 70      | 381,86 ∨            | 243,00 ∨             |
| 80      | 407,89 ∨            | 269,04 ∨             |
| 90-100  | 425,25 ∨            | 269,04 ∨             |
| 110-120 | 841,82 ∨            | 286,39 ∨             |