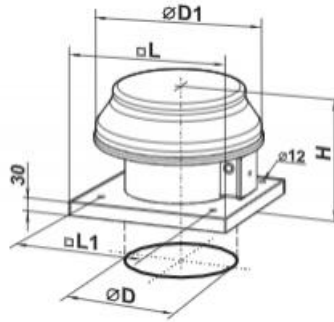


EVVOK1 Roof jet extractor



Description:

Extractors roof jet with external rotor mono-phase motor.



Characteristics:

Material: painted steel
 Colour: Black
 Installation: Roof
 Degree of protection: IPX4

use:

- Air flow rates from 120 to 1700 m³/h
 - Static pressure up to 100 Pa

Accessories :

Electronic speed regulator RCS 300 .

dimensions

all measurements are in mm

modell	Dimension (mm)					Weight Kg
	diameter D	diameter D1	H	L	L1	
EVVOK1 200	208	345	280	425	330	6,1
EVVOK1 250	262	405	300	425	330	7,2
EVVOK1 315	314	555	380	585	450	11,5

Operating data and price list

dB (A) : noise index

modello	giri	potenza assorbita		°C max	dB(A) a 3 m	pressione statica Pa				euro
		W	A			0	50	80	100	
EVVOK1 200	1300	43	0,28	50	32	405	120	-	-	269,20 ✓
EVVOK1 250	1300	68	0,48	50	48	1070	480	120	-	318,15 ✓
EVVOK1 315	1300	110	0,75	50	54	1700	1300	700	400	406,58 ✓

Speed control

Item normally available from stock

Model	Euro
RCS 300	104,40 ✓