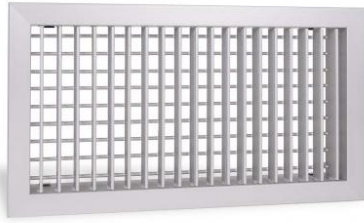


EBA Supply aluminium grilles 20 mm pitch



Description

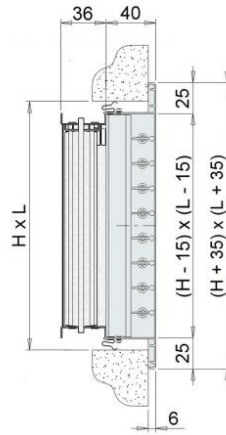
Supply air jet with 1 or 2 rows of individually adjustable blades

Characteristics

Material: aluminium.
Finish: natural anodised.
Installation: clip fastening.

Dimensions achievable in one piece:

- min. base 100 mm x height 100 mm.
- max. with base from 100 mm to 1000 mm x height 1000 mm
- max. with base from >1000 mm to 2000 mm x height 600mm.



Use

For air supply with wall or duct installation in ventilation and air conditioning systems.

Models

EBA/VO with 2 rows of vertical and horizontal blades;
EBA/OV with 2 rows of horizontal and vertical blades;
EBA/V with 1 row of vertical blades;
EBA/O with 1 row of horizontal blades.

Example: the VO version has the first vertical row near the front and the second horizontal row inside the air jet.

Accessories

- EPZ galvanised plenum;
- EPI insulated plenum;
- SC galvanised steel regulation damper with blades with opposing movement;
- CT galvanised steel counter-frame to set into wall.

On request

White RAL 9016 painting or other RAL colours.
Holes on frame for installation with screws.

Operating data

Vk: effective speed (m/s)

m³/h: flow rate

Pa: pressure drops in Pascal

L1 (m): air throw of air jet without damper, with a blade deflection of 0°, with coanda (ceiling) effect, terminal velocity 0.25 m/s and Tmax 15°C

dB(A): noise level

All dimensions are expressed in mm

dimension LxH	effective cross-section		m ³ /h		L1		dimension LxH	effective cross-section		m ³ /h		L1	
	m ²		m ³ /h	L1	m ³ /h	L1		m ²		m ³ /h	L1	m ³ /h	L1
200x100	0,013		100	3	160	5	500x200	0,071		560	7,5	900	10
300x100	0,018		140	3,7	230	5,6	600x200	0,086		682	10	1080	11
400x100	0,025		200	4,5	320	6,8	700x200	0,100		792	10,2	1260	12
500x100	0,033		260	6	420	8	800x200	0,115		910	10,3	1450	13
600x100	0,042		335	6,8	500	9	1000x200	0,145		1150	10	1830	15,6
700x100	0,053		420	7,7	667	11,9	300x300	0,058		460	5,8	730	9
200x150	0,020		160	3,6	240	5,4	400x300	0,085		670	6,8	1070	10
300x150	0,029		230	4,1	370	7	500x300	0,110		870	8,1	1380	12
400x150	0,039		310	4,3	500	8	600x300	0,136		1080	9,6	1730	15
500x150	0,051		400	5	640	9	700x300	0,158		1250	10	1990	15,5
600x150	0,059		470	5,8	750	9,5	800x300	0,178		1410	10,5	2250	16
700x150	0,078		617	8,9	982	13,9	1000x300	0,226		1790	13	2860	18
800x150	0,086		682	6	1083	11	400x400	0,115		910	8	1430	12
200x200	0,026		200	4	300	6	600x400	0,180		1430	11	2290	17
300x200	0,044		350	5,8	550	8	700x400	0,210		1660	11,5	2645	17,5
400x200	0,057		450	6,5	720	9	800x400	0,245		1940	12	3080	18
							1000x400	0,310		2460	16	3940	20
Vk (m/s)			2,2		3,5		Vk (m/s)			2,2		3,5	

Noise level dB(A)

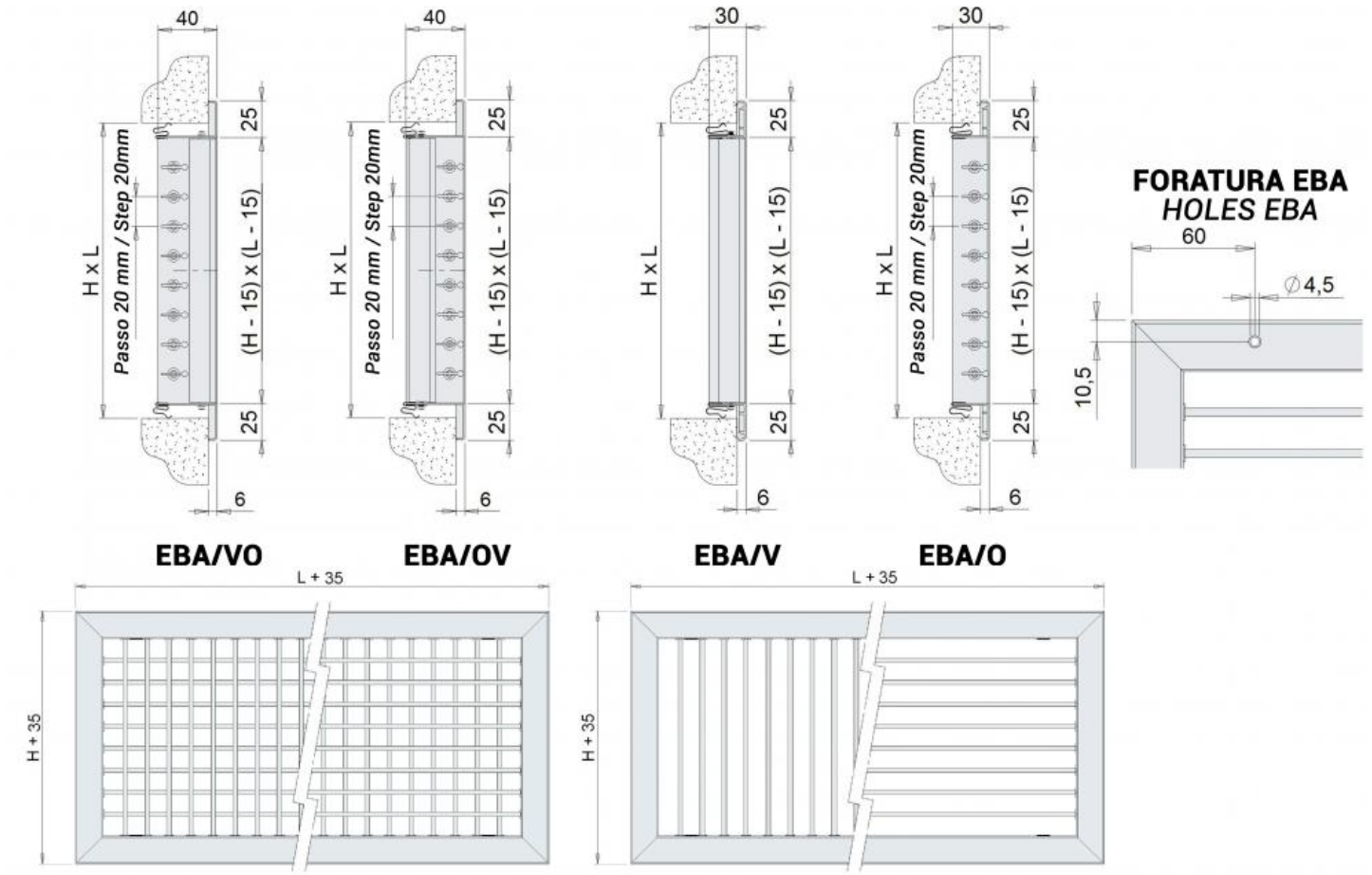
Vk m/s	defl. 0°		defl. 20°		defl. 40°	
	dB(A)		dB(A)		dB(A)	
2.2	15/20		18/23		20/25	
3.5	20/25		23/28		25/30	

Pressure drop (Pa)

Vk m/s	defl. 0°		defl. 20°		defl. 40°	
	Pa		Pa		Pa	
2.2	4		5,5		7	
3.5	9		13		16	

Configuration

All dimensions are expressed in mm.



SC regulation damper

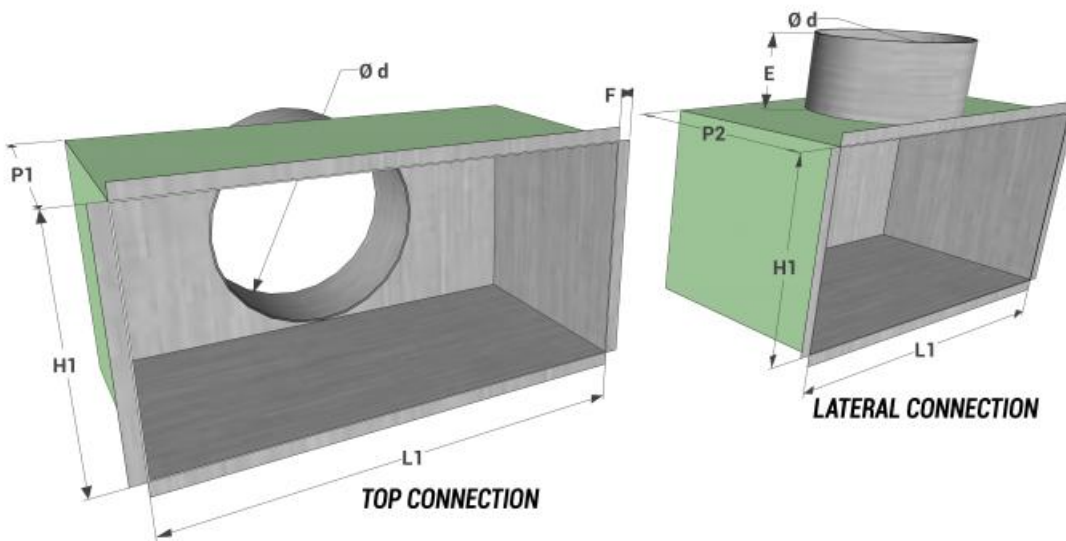
Galvanised steel regulation damper with blades with opposing movement.



Counterframe CT



Plenum



model L1 x H1	top connection			lateral connection			E	F	model L1 x H1	top connection			lateral connection			E	F
	P1	no. connections	Ø d	P2	no. connections	Ø d				P1	no. connections	Ø d	P2	no. connections	Ø d		
200x100	200	1	98	200	1	98	80	12	500x200	200	1	198	300	1	198	80	12
300x100	200	1	98	200	1	98	80	12	600x200	200	2	198	300	2	198	80	12
400x100	200	2	98	200	2	98	80	12	700x200	200	2	198	300	2	198	80	12
500x100	200	2	98	200	2	98	80	12	800x200	200	2	198	300	2	198	80	12
600x100	200	2	98	200	2	98	80	12	1000x200	200	2	198	300	2	198	80	12
700x100	200	2	98	200	2	98	80	12	300x300	200	1	248	350	1	248	80	12
200x150	200	1	148	200	1	148	80	12	400x300	200	1	248	350	1	248	80	12
300x150	200	1	148	250	1	148	80	12	500x300	200	1	248	350	1	248	80	12
400x150	200	1	148	250	1	148	80	12	600x300	200	2	198	350	2	248	80	12
500x150	200	2	148	250	2	148	80	12	700x300	200	2	198	350	2	248	80	12
600x150	200	2	148	250	2	148	80	12	800x300	200	2	248	350	2	248	80	12
700x150	200	2	148	250	2	148	80	12	1000x300	200	2	248	350	2	248	80	12
800x150	200	2	148	250	2	148	80	12	400x400	200	1	298	350	1	298	80	12
200x200	200	1	198	300	1	198	80	12	600x400	200	2	198	350	2	248	80	12
300x200	200	1	198	300	1	198	80	12	800x400	200	2	298	350	2	298	80	12
400x200	200	1	198	300	1	198	80	12	700x400	200	2	298	350	2	298	80	12
									1000x400	200	2	298	400	2	298	80	12

Price list

Note: white painted RAL9016 + 20 %

Item normally available from stock

dimension	EBA-VO	EBA-OV	EBA-O	EBA-V
LxH	euro	euro	euro	euro
200x100	21,23 v	21,23 v	19,53 v	19,53 v
300x100	24,57 v	24,57 v	22,08 v	22,08 v
400x100	31,42 v	31,42 v	25,42 v	25,42 v
500x100	35,33 v	35,33 v	29,45 v	29,45 v
600x100	39,21 v	39,21 v	32,70 v	32,70 v
700x100	47,14 v	47,14 v	35,49 v	35,49 v
200x150	23,95 v	23,95 v	22,25 v	22,25 v
300x150	27,75 v	27,75 v	25,45 v	25,45 v
400x150	40,58 v	40,58 v	29,71 v	29,71 v
500x150	46,68 v	46,68 v	33,95 v	33,95 v
600x150	54,32 v	54,32 v	38,21 v	38,21 v
700x150	61,98 v	61,98 v	40,33 v	40,33 v
800x150	69,62 v	69,62 v	42,44 v	42,44 v
200x200	31,42 v	31,42 v	25,42 v	25,42 v
300x200	40,58 v	40,58 v	29,71 v	29,71 v
400x200	45,83 v	45,83 v	34,81 v	34,81 v
500x200	55,18 v	55,18 v	39,06 v	39,06 v
600x200	65,38 v	65,38 v	43,29 v	43,29 v
700x200	73,02 v	73,02 v	47,13 v	47,13 v

Dimensions expressed in mm

Item normally available from stock

dimension	EBA-VO	EBA-OV	EBA-O	EBA-V
LxH	euro	euro	euro	euro
800x200	80,66 v	80,66 v	50,96 v	50,96 v
1000x200	87,46 v	87,46 v	55,18 v	55,18 v
300x300	54,32 v	54,32 v	38,21 v	38,21 v
400x300	65,38 v	65,38 v	43,29 v	43,29 v
500x300	70,47 v	70,47 v	51,79 v	51,79 v
600x300	82,38 v	82,38 v	56,88 v	56,88 v
700x300	90,86 v	90,86 v	62,82 v	62,82 v
800x300	99,33 v	99,33 v	68,78 v	68,78 v
1000x300	118,01 v	118,01 v	84,06 v	84,06 v
400x400	80,66 v	80,66 v	50,96 v	50,96 v
600x400	99,33 v	99,33 v	67,95 v	67,95 v
700x400	112,91 v	112,91 v	78,14 v	78,14 v
800x400	126,49 v	126,49 v	87,46 v	87,46 v
1000x400	140,08 v	140,08 v	102,73 v	102,73 v

Accessories

Item normally available from stock

dimensions	top connection		lateral connection		damper SC	counter-frame CT
	EPZ galvanised plenum	EPI isolated plenum	EPZ galvanised plenum	EPI isolated plenum		
L1xH1	euro	euro	euro	euro	euro	euro
200x100	30,09 v	41,81 v	30,09 v	41,81 v	13,21 v	14,13 v
300x100	32,55 v	45,15 v	32,55 v	45,15 v	14,39 v	14,13 v
400x100	43,12 v	56,91 v	43,12 v	56,91 v	17,21 v	15,68 v
500x100	45,61 v	60,26 v	45,61 v	60,26 v	20,54 v	17,25 v
600x100	48,11 v	63,60 v	48,11 v	63,60 v	23,50 v	18,85 v
700x100	50,61 v	68,29 v	50,61 v	68,29 v	26,52 v	a.r.
200x150	32,13 v	44,42 v	32,13 v	44,42 v	14,57 v	14,13 v
300x150	34,39 v	48,04 v	36,89 v	50,80 v	16,86 v	15,68 v
400x150	37,58 v	51,76 v	40,04 v	55,07 v	19,86 v	17,25 v
500x150	40,31 v	63,75 v	51,30 v	67,67 v	23,00 v	20,69 v
600x150	51,07 v	67,37 v	54,45 v	71,90 v	26,21 v	22,59 v
700x150	64,56 v	83,89 v	68,36 v	89,12 v	29,89 v	a.r.
800x150	67,29 v	85,85 v	71,52 v	91,58 v	33,57 v	25,76 v
200x200	34,24 v	47,08 v	37,85 v	51,92 v	15,96 v	15,68 v
300x200	37,16 v	50,99 v	41,70 v	57,07 v	22,39 v	17,25 v
400x200	40,12 v	54,95 v	45,50 v	62,18 v	24,57 v	19,94 v
500x200	43,04 v	58,91 v	49,34 v	67,29 v	28,86 v	22,59 v
600x200	59,99 v	78,09 v	71,98 v	92,00 v	33,25 v	24,19 v
700x200	67,75 v	88,08 v	75,82 v	99,11 v	37,00 v	a.r.

Item normally available from stock

dimensions	top connection		lateral connection		damper SC	counter-frame CT
	EPZ galvanized plenum	EPI isolated plenum	EPZ galvanized plenum	EPI isolated plenum		
L1xH1	euro	euro	euro	euro	euro	euro
800x200	70,71 v	90,27 v	79,62 v	102,30 v	40,75 v	29,23 v
1000x200	76,59 v	98,19 v	76,59 v	112,52 v	45,48 v	32,61 v
300x300	41,20 v	56,14 v	49,27 v	67,06 v	27,79 v	20,69 v
400x300	55,34 v	71,90 v	64,75 v	84,54 v	34,39 v	24,19 v
500x300	58,72 v	76,43 v	69,44 v	90,88 v	37,86 v	27,60 v
600x300	69,52 v	88,69 v	77,59 v	99,53 v	41,39 v	29,23 v
700x300	72,90 v	95,15 v	86,31 v	113,48 v	45,80 v	a.r.
800x300	84,97 v	112,40 v	99,72 v	132,19 v	50,21 v	34,51 v
1000x300	91,73 v	121,47 v	109,14 v	144,80 v	60,54 v	39,25 v
400x400	59,76 v	77,70 v	74,09 v	96,96 v	39,39 v	27,60 v
600x400	82,31 v	108,98 v	91,23 v	121,01 v	51,14 v	34,51 v
700x400	87,39 v	117,78 v	102,10 v	137,96 v	56,86 v	a.r.
800x400	99,26 v	128,97 v	115,32 v	150,49 v	62,57 v	39,25 v
1000x400	117,67 v	153,18 v	142,65 v	186,69 v	74,25 v	44,53 v