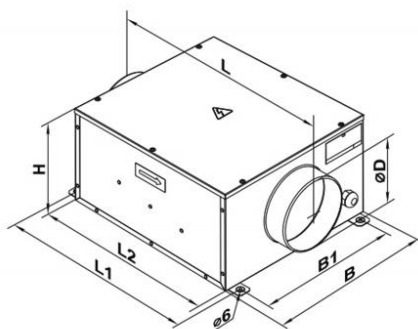


# EVKSB Inline fan box



## Description

Fan box with circular spigots with diameter from 100 to 315 mm and adjustable external 230V rotor motor.



## Characteristics

Galvanized steel structure, insulated inside with a sound absorbing mat.

## use

Outlet and inlet of clean air or lightly dust .  
Flow rates from 50 to 2150 m<sup>3</sup>/h and pressures up to 400 Pa .

## Accessories

Speed regulators RCS 300 .

## Operating data

| modello | alimentazione | potenza W | assorbimento A | Grado di protezione | temperatura flusso aria |            | dB(A) a 3mt | giri |
|---------|---------------|-----------|----------------|---------------------|-------------------------|------------|-------------|------|
|         |               |           |                |                     | minima °C               | massima °C |             |      |
| 100     | 230V-1F-50Hz  | 73        | 0,32           | IPX4                | -25                     | +55        | 33          | 2560 |
| 125     | 230V-1F-50Hz  | 73        | 0,32           | IPX4                | -25                     | +55        | 35          | 2590 |
| 150     | 230V-1F-50Hz  | 72        | 0,32           | IPX4                | -25                     | +55        | 36          | 2600 |
| 160     | 230V-1F-50Hz  | 75        | 0,33           | IPX4                | -25                     | +55        | 36          | 2690 |
| 200     | 230V-1F-50Hz  | 103       | 0,45           | IPX4                | -25                     | +55        | 38          | 2550 |
| 200S    | 230V-1F-50Hz  | 195       | 0,85           | IPX4                | -25                     | +55        | 41          | 2570 |
| 250     | 230V-1F-50Hz  | 198       | 0,87           | IPX4                | -25                     | +55        | 41          | 2420 |
| 315     | 230V-1F-50Hz  | 322       | 1,4            | IPX4                | -25                     | +55        | 43          | 2670 |

| modello | portata m <sup>3</sup> /h |       |        |        |        |        |        |        |
|---------|---------------------------|-------|--------|--------|--------|--------|--------|--------|
|         | 0 Pa                      | 50 Pa | 100 Pa | 150 Pa | 200 Pa | 250 Pa | 300 Pa | 400 Pa |
| 100     | 240                       | 225   | 200    | 175    | 140    | 80     |        |        |
| 125     | 330                       | 320   | 300    | 250    | 190    | 110    |        |        |
| 150     | 420                       | 400   | 375    | 310    | 240    | 150    |        |        |
| 160     | 420                       | 400   | 375    | 310    | 240    | 150    |        |        |
| 200     | 730                       | 710   | 650    | 500    | 310    | 200    | 100    |        |
| 200S    | 950                       | 940   | 900    | 850    | 750    | 600    | 480    | 200    |
| 250     | 1300                      | 1280  | 1200   | 1100   | 950    | 800    | 600    | 260    |
| 315     | 2150                      | 2100  | 2000   | 1850   | 1700   | 1500   | 1250   | 800    |

## dimensions

all measurements are in mm

| modello | dimensioni |     |     |     |     |     |     | peso |
|---------|------------|-----|-----|-----|-----|-----|-----|------|
|         | ØD         | B   | B1  | H   | L   | L1  | L2  |      |
| 100     | 99         | 322 | 280 | 192 | 447 | 380 | 350 | 5,4  |
| 125     | 124        | 322 | 280 | 192 | 447 | 380 | 350 | 5,4  |
| 150     | 149        | 352 | 310 | 212 | 477 | 410 | 380 | 6,4  |
| 160     | 159        | 352 | 310 | 212 | 477 | 410 | 380 | 6,4  |
| 200     | 199        | 432 | 368 | 287 | 588 | 506 | 480 | 10   |
| 200 S   | 199        | 432 | 368 | 287 | 588 | 506 | 480 | 12   |
| 250     | 249        | 432 | 368 | 287 | 588 | 506 | 480 | 12,5 |
| 315     | 314        | 502 | 438 | 397 | 648 | 566 | 540 | 15,5 |

## Price list

| Item normally available from stock |          |
|------------------------------------|----------|
| modello EV KSB                     | euro     |
| 100                                | 430,05 v |
| 125                                | 431,47 v |
| 150                                | 458,32 v |
| 160                                | 459,70 v |
| 200                                | 535,71 v |
| 200S                               | 591,52 v |
| 250                                | 635,08 v |
| 315                                | 675,78 v |

## Speed control

| Item normally available from stock |  |
|------------------------------------|--|
|                                    |  |

| Model   | Euro     |
|---------|----------|
| RCS 300 | 104,40 ✓ |