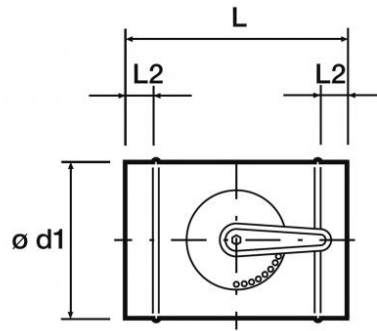




Description :

Galvanized steel regulation damper equipped with manual control.



Characteristics :

Spigot length :

- diameters from 80 to 250 mm L2 = 40 mm
- diameters from 250 to 355 mm L2 = 60 mm
- diameter from 400 to 500 mm L2 = 80 mm

Loader supports features:

- diameters from 80 to 280 mm polyoxymethylene support.
- diameters from 400 to 500 mm aluminum support.

On demand :

Pin and plate for motorization.

Dimensions and price list

Dimensions are expressed in mm

Item normally available from stock

model d1	L	damper EDR	model d1	L	damper EDR
		euro			
80	200	29,67 ✓	200	220	41,02 ✓
100	200	30,98 ✓	250	220	48,50 ✓
125	200	36,13 ✓	280	250	59,40 ✓
140	200	38,80 ✓	300	250	70,49 ✓
150	200	38,77 ✓	315	250	70,49 ✓
160	200	38,94 ✓	355	250	78,74 ✓
180	200	40,32 ✓	400	250	88,21 ✓
			450	250	247,55 ✓
			500	390	261,06 ✓

Recommended servomotors

		Servomotor WITHOUT SPRING RETURN	
		CM	LM...A
Couple		2 Nm	5 Nm
Universal pin size (mm):		6-12,7	6-20
For damper up to:		0,4 m ²	1 m ²
ON/OFF 3-Point	AC /DC 24 V	CM24-L	LM24A
	AC /DC 24 V With auxiliary contact		LM24A-S
	AC 230 V	CM230-L	LM230A
	AC 230 V With auxiliary contact		LM230A-S
MODULANT Comand 0...10V	AC /DC 24 V	CM24-SR-L	LM24A-SR
	AC /DC 24 V With auxiliary contact		
	AC 230 V		LM230ASR

		Servomotor WITH SPRING RETURN	
		TF	LF
Couple		2,5 Nm	4 Nm
Universal pin size (mm):		6-12,7	8-16
For damper up to:		0,5 m ²	0,8 m ²
ON/OFF 3-Point	AC /DC 24 V	TF24	LF24
	AC /DC 24 V With auxiliary contact	TF24-S	LF24-S
	AC 230 V	TF230	LF230
	AC 230 V With auxiliary contact	TF230-S	LF230-S
MODULANT Comand 0...10V	AC /DC 24 V	TF24-SR	LF24-SR
	AC /DC 24 V With auxiliary contact		
	AC 230 V	TF230-SR	

Accessories for installation servomotors

To install the servomotor on the EDR damper it is necessary to purchase a specific pin and a specific plate.

Item normally available from stock

Description	Euro
Short pin L = 60mm (suitable for installation on CM LM ... A series servomotors)	14,74 ✓
Short plate (suitable for installation on CM LM ... A TF series servomotors)	3,69 ✓
Long pin L = 100mm (suitable for installation on TF LF series servomotors)	14,29 ✓
Long plate (suitable for installation on LF series servomotors)	3,69 ✓