

SC Regulation damper for air jets and grilles

Description

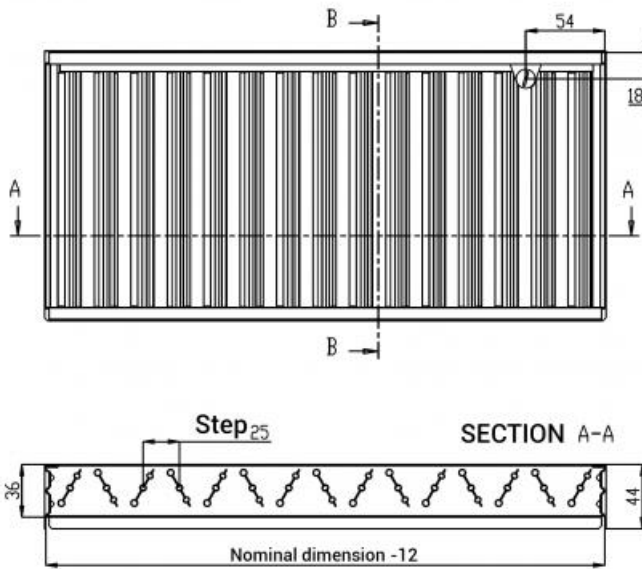
Galvanised steel regulation dampers with blades with opposing movement suitable for air jets and grilles.

Use

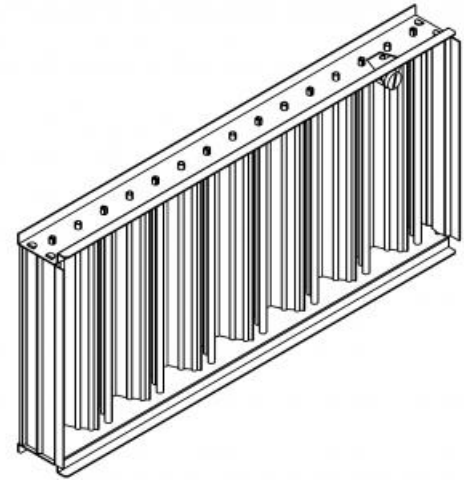
Accessory compatible with EDC - EDQ series diffusers, EBA - EBCV - EBV - EBL - EBL S series air jets and EGA - EGQ - EGQS - EGF - EGFS series grilles.

Characteristic

Maximum dimensions L x H for construction in one piece 1000 mm x 600 mm. They are installed directly on the neck of the air jet or grille.



SECTION B-B



Price list

Item normally available from stock

H	SC damper							
	L							
	200	300	400	500	600	800	1000	1200
	euro	euro	euro	euro	euro	euro	euro	euro
100	13,21 ∨	14,39 ∨	17,21 ∨	20,54 ∨	23,50 ∨	29,54 ∨	36,25 ∨	a.r. ∨
150	14,57 ∨	16,86 ∨	19,86 ∨	23,00 ∨	26,21 ∨	33,57 ∨	40,46 ∨	a.r. ∨
200	15,96 ∨	22,39 ∨	24,57 ∨	28,86 ∨	33,25 ∨	40,75 ∨	45,48 ∨	a.r. ∨
300	22,39 ∨	27,79 ∨	34,39 ∨	37,86 ∨	41,39 ∨	50,21 ∨	60,54 ∨	a.r. ∨
400	24,57 ∨	34,39 ∨	39,39 ∨	47,57 ∨	51,14 ∨	62,57 ∨	74,25 ∨	a.r. ∨
500	28,86 ∨	37,86 ∨	47,57 ∨	61,21 ∨	63,82 ∨	75,89 ∨	95,79 ∨	a.r. ∨
600	33,25 ∨	41,39 ∨	51,14 ∨	63,82 ∨	76,00 ∨	91,64 ∨	114,64 ∨	a.r. ∨
800	40,75 ∨	50,21 ∨	62,57 ∨	75,89 ∨	91,64 ∨	a.r. ∨	a.r. ∨	a.r. ∨
1000	45,48 ∨	60,54 ∨	74,25 ∨	95,79 ∨	114,64 ∨	a.r. ∨	a.r. ∨	a.r. ∨