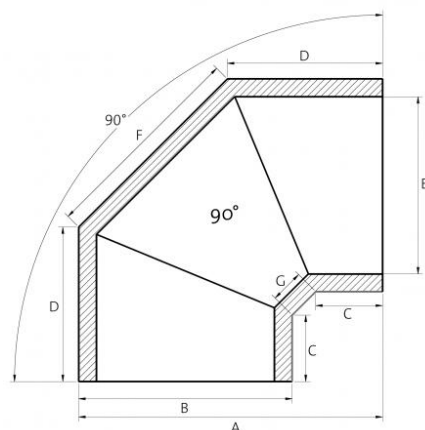


EA17 Accessories for VMC : 90° bend



Description :

90° bend in polyethylene foam, grey colour, 30 kg/m³ density



Dimensions

| Diameter | A (mm) | B (mm) | C (mm) | D (mm) | E (mm) | F (mm) | G (mm) |
|----------|--------|--------|--------|--------|--------|--------|--------|
| 125 | 238 | 157 | 60 | 125 | 125 | 159 | 30 |
| 150 | 263 | 182 | 60 | 135 | 150 | 181 | 30 |
| 160 | 274 | 192 | 60 | 140 | 160 | 189 | 30 |
| 180 | 298 | 212 | 65 | 153 | 180 | 206 | 30 |
| 200 | 318 | 232 | 65 | 161 | 200 | 222 | 30 |

Pressure loss

| Diameter | Air flow m ³ /h | | | | |
|----------|----------------------------|------|------|------|------|
| | 100 | 200 | 300 | 400 | 500 |
| | Pressure loss Pa | | | | |
| 125 | 2,7 | 10,8 | 24,3 | 43,3 | 67,6 |
| 150 | 1,3 | 5,0 | 11,3 | 20,2 | 31,5 |
| 160 | 1,0 | 3,9 | 8,8 | 15,6 | 24,3 |
| 180 | 1,0 | 2,4 | 5,4 | 9,6 | 15,0 |
| 200 | 0,2 | 1,0 | 2,2 | 3,8 | 6,0 |

Price list

Item normally available from stock

| INTERNAL diameter | EXTERNAL diameter | euro |
|-------------------|-------------------|---------|
| mm | mm | |
| 125 | 157 | 26,66 ✓ |
| 150 | 182 | 27,28 ✓ |
| 160 | 192 | 32,54 ✓ |
| 180 | 212 | 38,84 ✓ |
| 200 | 232 | 56,65 ✓ |