

# ES100 Aluminium wall overpressure dampers 100 mm pitch



## Description

Overpressure dampers are used to automatically exclude circuits in ventilation and air conditioning systems.

## Features

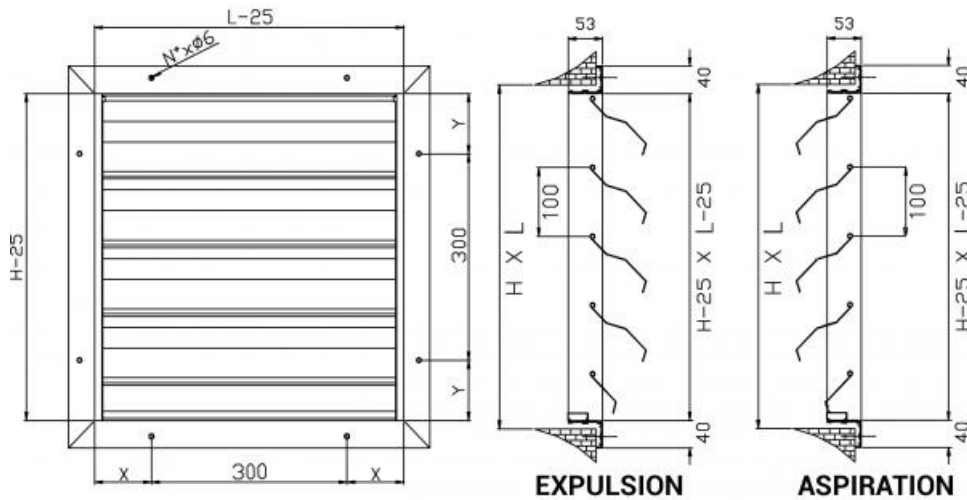
- Anodised extruded aluminium frame;
- natural aluminium blades;
- blade pitch 100 mm;
- nylon bushings and pins;
- anodised extruded aluminium lower stop and neoprene upper stop;
- anodised extruded aluminium lateral profiles to make the damper reversible;
- longitudinal adhesive seal on the blades;
- pressure drop tests performed in accordance with UNI CTI 8728.

## On request

- Bird mesh;
- exhaust version;
- simultaneous blades.

## Use

Installed outside buildings to expel air.



## Dimensions Y

Height H	Y	No. Ø 6 mm (holes per side)
200	87,5	1
300	137,7	1
400	37,5	2
500	87,5	2
600	137,5	2
800	87,5	3
1000	37,5	4

## Dimensions X

Length L	X	No. Ø 6 mm (holes per side)
200	87,5	1
300	137,7	1
400	37,5	2
500	87,5	2
600	137,5	2
700	37,5	3
800	87,5	3
1000	37,5	4

## Pressure drops

V: speed referring to the cross-section (L-25)x(H-25) [m/s]

Δpt: total pressure drop [Pa]

\*: operation not guaranteed

V [m/s]	$\Delta p_t$ [Pa]
1	12
2	18
3	23
4	28
5	34
6	48
7*	65
8*	88
9*	110
10*	140

### Price list

H	L							
	200	300	400	500	600	700	800	1000
	euro	euro	euro	euro	euro			
200	79,15 ▾	95,35 ▾	111,82 ▾	128,04 ▾	144,24 ▾	160,76 ▾	176,69 ▾	209,11 ▾
300	90,94 ▾	108,51 ▾	125,52 ▾	142,79 ▾	160,07 ▾	177,36 ▾	194,36 ▾	228,64 ▾
400	102,76 ▾	121,40 ▾	139,45 ▾	157,53 ▾	176,16 ▾	193,94 ▾	211,73 ▾	247,89 ▾
500	115,15 ▾	134,56 ▾	153,40 ▾	172,28 ▾	191,96 ▾	210,54 ▾	229,13 ▾	267,41 ▾
600	126,97 ▾	147,45 ▾	167,10 ▾	186,75 ▾	207,48 ▾	227,43 ▾	246,79 ▾	286,94 ▾
800	151,15 ▾	173,76 ▾	194,99 ▾	216,24 ▾	238,85 ▾	260,63 ▾	281,58 ▾	325,70 ▾
1000	175,34 ▾	199,82 ▾	222,63 ▾	245,71 ▾	270,17 ▾	294,08 ▾	316,64 ▾	364,73 ▾