

EBLS Linear grilles with horizontal fixed bars with 15 mm frame

Description

Air jets with horizontal aluminium fixed bars with 0° or 15° deflection with 15 mm frame.

Characteristics

Material: aluminium.
Finish: natural anodised.
Installation: magnet fastening.

Use

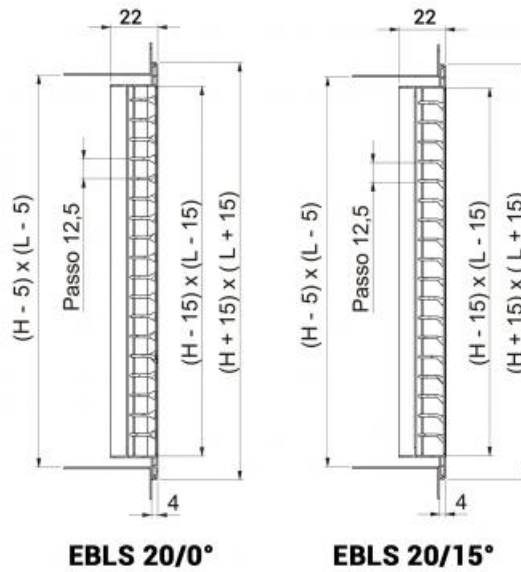
For air conditioning and ventilation systems, for wall installation, for fan coils, for floor installation (not walkable), for both supply and exhaust.

Accessories

- EPZS galvanised plenum;
- EPIS insulated plenum;
- SC galvanised steel regulation damper with blades with opposing movement.

On request

White RAL9016 painting or other RAL colours.



Operating data

Vk: effective speed (m/s)

m³/h: flow rate

Pa: pressure drops in Pascal

L1 (m): air throw referring to a terminal velocity Vt= 0.25 m/s and with a temperature differential of 10/12°C, installed near the ceiling (not beyond 3 m); for greater distances, correct the air throw by multiplying it by 0.7

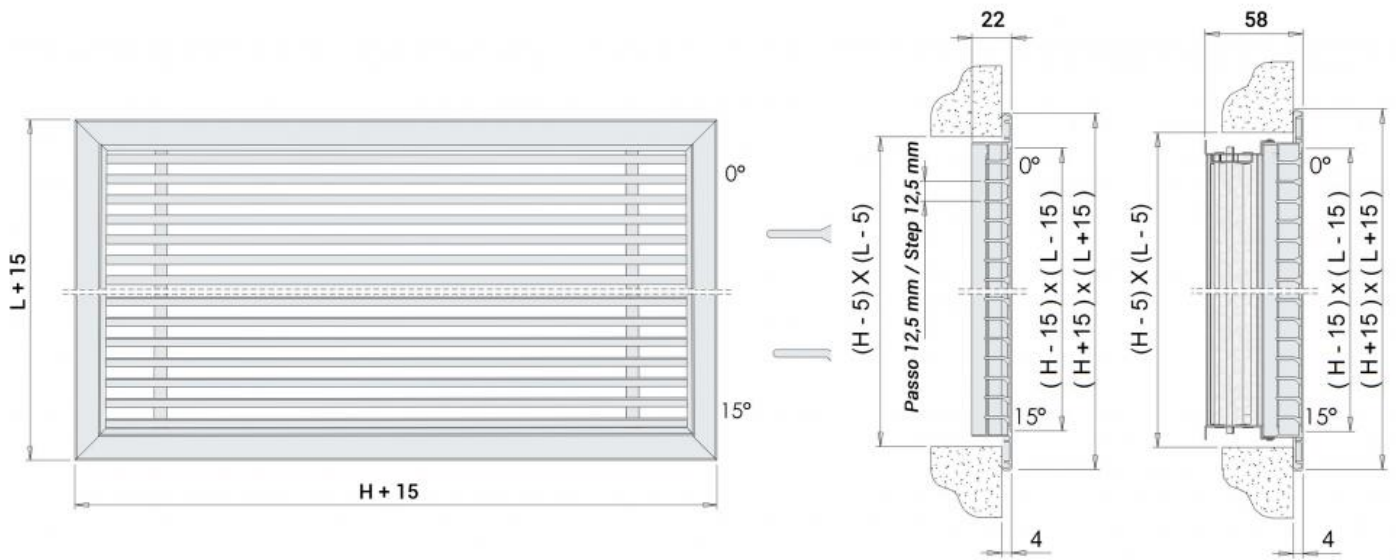
dB(A): noise level

All dimensions are expressed in mm.

dimensions LxH	effective cross-section m ²	Vk 3 m/s		Vk 4 m/s		Vk 5 m/s	
		m ³ /h	L1	m ³ /h	L1	m ³ /h	L1
400x75	0,015	160	2,8	213	3,8	266	4,7
500x75	0,019	201	3	268	3,9	335	4,9
600x75	0,022	243	3,1	323	4,1	404	5,1
400x100	0,020	216	2,9	292	3,8	365	4,8
500x100	0,026	276	3	367	4	459	5
600x100	0,031	332	3,1	443	4,2	554	5,2
400x125	0,026	278	2,9	370	3,9	463	4,9
500x125	0,032	350	3,1	467	4,1	583	5,1
600x125	0,039	422	3,2	563	4,2	703	5,3
400x150	0,031	337	3	449	4	561	5
500x150	0,039	424	3,1	566	4,2	707	5,2
600x150	0,047	512	3,4	682	4,3	853	5,4
400x200	0,042	455	3,3	607	4,2	758	5,2
500x200	0,053	573	3,4	764	4,4	955	5,4
600x200	0,064	691	3,6	922	4,5	1152	5,6
Pa		5		10		15	
dB(A)		25 / 32		33 / 39		38 / 44	

Configuration

All measurements are expressed in mm

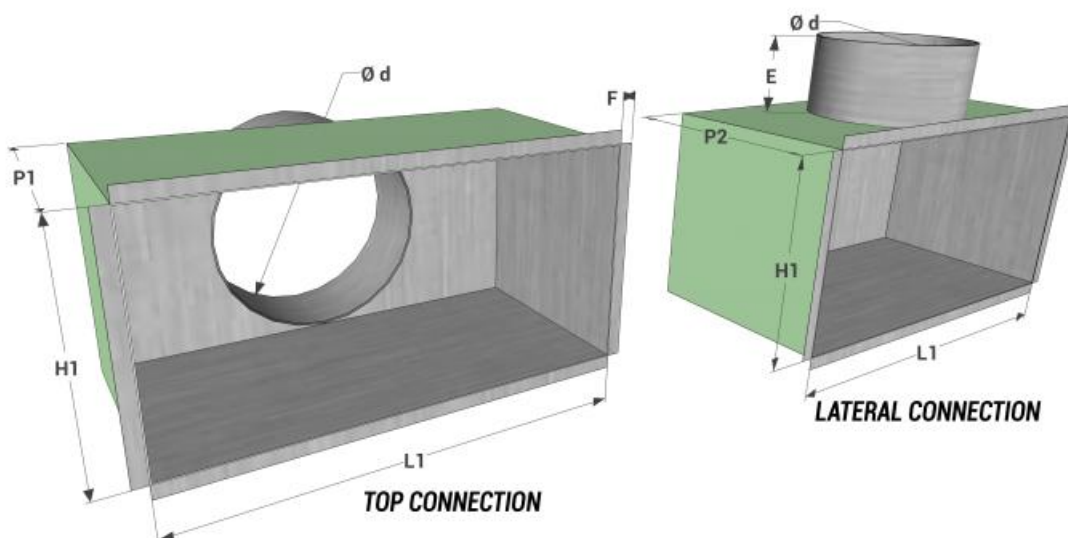


SC regulation damper

Galvanised steel regulation damper with blades with opposing movement.



Plenum



All dimensions are expressed in mm.

model EBL5	dimensions L x H	top connection			lateral connection			E	F
		P1	no. connections	Ø d	P2	no. connections	Ø d		
400x75	395x70	-	-	-	150	2	95	80	8
500x75	495x70	-	-	-	150	2	95	80	8
600x75	595x70	-	-	-	150	2	95	80	8
400x100	395x95	200	2	95	200	2	95	80	8
500x100	495x95	200	2	95	200	2	95	80	8
600x100	595x95	200	2	95	200	2	95	80	8
400x125	395x120	200	1	120	230	1	120	80	8
500x125	495x120	200	2	120	230	2	120	80	8
600x125	595x120	200	2	120	230	2	120	80	8
400x150	395x145	200	1	145	250	1	145	80	8
500x150	495x145	200	2	145	250	2	145	80	8
600x150	595x145	200	2	145	250	2	145	80	8
400x200	395x195	200	1	195	300	1	195	80	8
500x200	495x195	200	2	195	300	2	195	80	8
600x200	595x195	200	2	195	300	2	195	80	8

Price list

Note: painted white RAL 9016 + 20%

EBLS20: with fixed bars

0°: 0° deflection

15°: 15° deflection

dimensions LxH	air jets EBL5 20/0° euro	air jets EBL5 20/15° euro
400x75	26,17 v	26,17 v
500x75	32,40 v	32,40 v
600x75	34,96 v	34,96 v
400x100	32,40 v	32,40 v
500x100	37,58 v	37,58 v
600x100	40,21 v	40,21 v
400x125	35,86 v	35,86 v
500x125	40,21 v	40,21 v
600x125	46,37 v	46,37 v
400x150	40,21 v	40,21 v
500x150	41,98 v	41,98 v
600x150	50,69 v	50,69 v
400x200	55,12 v	55,12 v
500x200	64,73 v	64,73 v
600x200	69,08 v	69,08 v

Accessories

All dimensions are expressed in mm.

Item normally available from stock

EBLS dimensions LxH	plenum dimensions L1xH1	top connection		lateral connection		damper SC euro
		EPZS galvanized plenum euro	EPIS isolated plenum euro	EPZS galvanized plenum euro	EPIS isolated plenum euro	
400x75	395x70	-	-	42,12 v	55,80 v	17,21 v
500x75	495x70	-	-	44,58 v	59,14 v	20,54 v
600x75	595x70	-	-	47,04 v	62,45 v	23,50 v
400x100	395x95	42,12 v	55,80 v	42,12 v	55,80 v	17,21 v
500x100	495x95	44,58 v	59,14 v	44,58 v	59,14 v	20,54 v
600x100	595x95	47,04 v	62,45 v	47,04 v	62,45 v	23,50 v
400x125	395x120	36,12 v	49,88 v	39,74 v	54,80 v	19,86 v
500x125	495x120	45,96 v	60,83 v	50,53 v	66,90 v	23,00 v
600x125	595x120	48,54 v	64,33 v	53,38 v	70,71 v	26,21 v
400x150	395x145	37,39 v	51,46 v	41,12 v	56,57 v	19,86 v
500x150	495x145	47,31 v	62,60 v	52,03 v	68,79 v	23,00 v
600x150	595x145	50,00 v	66,17 v	54,99 v	72,75 v	26,21 v
400x200	395x195	39,89 v	54,65 v	43,85 v	60,06 v	24,57 v
500x200	495x195	50,07 v	66,10 v	55,07 v	67,29 v	28,86 v
600x200	595x195	63,10 v	80,51 v	69,40 v	88,54 v	33,25 v